

Instruction Sheet

QuickTop Zone Valve™

SUPERSEDES: NEW

EFFECTIVE: November 27, 2018

PLANT I.D. #001-5011



CAUTION: Disconnect power supply before connecting wiring to prevent electrical shock or equipment damage.



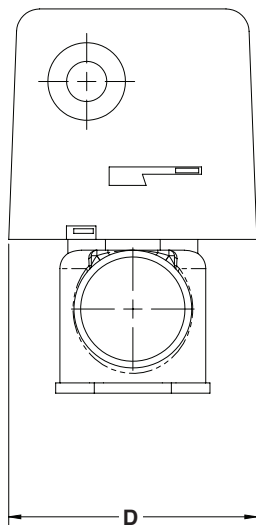
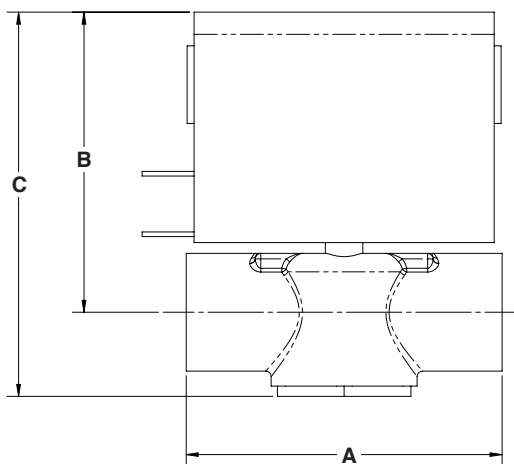
CAUTION: Over-tightening with the use of Teflon pipe joint compound will result in potential breakage of joints. Teflon provides lubricity so care must be exercised not to over-tighten joints.



CAUTION: Avoid installation in locations with excessive moisture, explosive vapors, corrosive fumes or vibration.



WARNING: System fluids are under pressure or temperature can be hazardous. Be sure the pressure has been reduced to zero and the system temperature is below 100 F (38 C). Failure to follow these could result in property damage and /or personal injury.



BEFORE INSTALLATION

Please carefully read and strictly follow safety procedures and observations below along with all other installation instructions in this manual.

FAILURE TO FOLLOW THESE INSTRUCTIONS MAY CAUSE PERSONAL INJURY OR PROPERTY DAMAGE!

Taco shall not be liable for injuries and damages resulting from misuse of its products.

Valve Specifications

Valve type:
2-way on/off

Connection:
Sweat: 1/2", 3/4", 1"

Materials:
Body: forged brass
Stem: brass with nickel-plated
Seals: NBR

Static pressure rating: 300 psi

Medium: water and glycol (up to 50%)

Media temperature range:
32 °F to 200 °F (0 °C to 93 °C)

Close off pressure: 15 - 20 psi

Actuator Specifications

Voltage:
24 VAC ± 10%, 60 Hz

Power consumption: 5 W, 7.2 VA.

Motor wire leads:
24V 18", yellow

End switch: 1 x SPST, red

Motor running time:
Power on: 10-20 seconds
Spring return: 4-5 seconds

Humidity: 5 to 95% non-condensing

Ambient temperature:
32 °F to 125 °F (0 °C to 52 °C)

Housing: stainless steel base with Al cover

BASIC OPERATION

Use in heating and cooling systems for controlling the flow of hot and/or cold water. Consist of a spring-return actuator that is attached to a 2-way valve assembly. When power is applied, the synchronous motor inside the actuator winds the spring and moves the valve paddle to the desired position. When power is off, the spring returns the paddle to its initial position.

APPLICATION

Typically used on fan coil units, baseboards or other closed-loop hydronic systems, but are not suitable for use in open loop systems where there is exposure to fresh air resulting in dissolved oxygen that over time, will cause cycling damage to the valve or valve components. Valve is designed for cycling (not constantly powered on) applications.

DIMENSIONS

Model Number	Connection Size	Inches (mm)				C _v (K _v)	Close-Off PSI (kPa)
		A	B	C	D		
QT050C2	1/2" Sweat	2-5/8 (66)	3-1/4 (83)	4-3/16 (106)	2-11/16 (68)	2.5 (2.0)	20 (138)
QT075C2	3/4" Sweat	2-3/4 (70)				3.5 (3.0)	20 (138)
QT100C2	1" Sweat	3-3/8 (86)				5.0 (4.3)	15 (103)

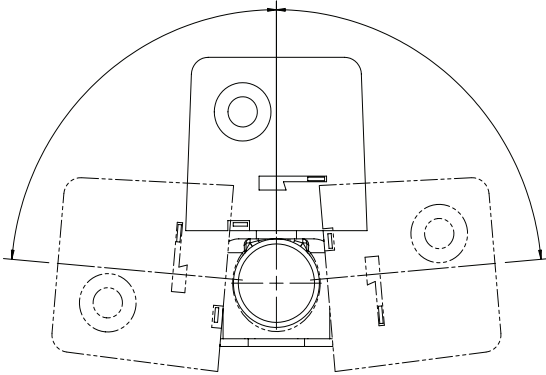
Replacement actuator model number: QTA024W4B1

INSTALLATION AND OPERATION

The valve can be installed vertically or horizontally (well above pipe center line), but never turned upside down.

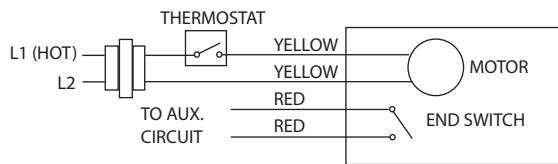
Read these instructions carefully, make sure valve rating on product label is suitable for the application.

Installer must be a trained, experienced service technician and comply with local codes and ordinances.



The valve can be installed on the supply or on the return (preferred). The flow direction through the valve must be from port B to port A (stamped on valve body), also indicated by the arrow in the product label, so the paddle closes against the direction of flow.

WIRING



OPERATION OF VALVE

N.C. power OFF	Port B closed
N.C. power ON	Port B opened
N.C. manual open	Port B opened

SWEAT COPPER CONNECTION

1. Use new, properly sized and cleaned pipe. Place the valve onto the pipe.
2. Move the manual open lever to lock at OPEN position before applying heat. This protects the rubber seal on paddle inside by removing it from the brass seat during soldering.
3. Sweat joints. Keep the outer surface free from solder. ***DO NOT USE silver solder due to the high melting temperature required which will cause damage to internal parts*.**

MANUAL OPEN WITHOUT ELECTRIC POWER

The manual open can be achieved by pushing the manual open lever slowly and firmly to the locked position. When power is applied, the manual open level unlocks automatically. End switch will not be triggered (closed) when valve is manually opened.

DISASSEMBLY OF THE ACTUATOR FROM THE VALVE BODY

1. Move the manual open lever to the lock open position.
2. Move the "Actuator Release Lever" to the side and pull actuator up.

ASSEMBLY OF THE ACTUATOR TO THE VALVE BODY

1. Move the manual open lever to the lock open position.
2. Align valve stem to the mating actuator hole.
3. Move the "Actuator Release Lever" to the side and slide the actuator onto the valve body, release the lever.

LIMITED WARRANTY STATEMENT

Taco, Inc. will repair or replace without charge (at the company's option) any Taco product or part which is proven defective under normal use within one (1) year from the date of manufacture.

In order to obtain service under this warranty, it is the responsibility of the purchaser to promptly notify the local Taco stocking distributor or Taco in writing and promptly deliver the subject product or part, delivery prepaid, to the stocking distributor. For assistance on warranty returns, the purchaser may either contact the local Taco stocking distributor or Taco. If the subject product or part contains no defect as covered in this warranty, the purchaser will be billed for parts and labor charges in effect at time of factory examination and repair.

Any Taco product or part not installed or operated in conformity with Taco instructions or which has been subject to misuse, misapplication, the addition of petroleum-based fluids or certain chemi-

cal additives to the systems, or other abuse, will not be covered by this warranty.

If in doubt as to whether a particular substance is suitable for use with a Taco product or part, or for any application restrictions, consult the applicable Taco instruction sheets or contact Taco at (401-942-8000).

Taco reserves the right to provide replacement products and parts which are substantially similar in design and functionally equivalent to the defective product or part. Taco reserves the right to make changes in details of design, construction, or arrangement of materials of its products without notification.

TACO OFFERS THIS WARRANTY IN LIEU OF ALL OTHER EXPRESS WARRANTIES. ANY WARRANTY IMPLIED BY LAW INCLUDING WARRANTIES OF MERCHANTABILITY OR FITNESS IS IN EFFECT ONLY FOR THE DURATION OF THE EXPRESS WARRANTY

SET FORTH IN THE FIRST PARAGRAPH ABOVE.

THE ABOVE WARRANTIES ARE IN LIEU OF ALL OTHER WARRANTIES, EXPRESS OR STATUTORY, OR ANY OTHER WARRANTY OBLIGATION ON THE PART OF TACO.

TACO WILL NOT BE LIABLE FOR ANY SPECIAL, INCIDENTAL, INDIRECT OR CONSEQUENTIAL DAMAGES RESULTING FROM THE USE OF ITS PRODUCTS OR ANY INCIDENTAL COSTS OF REMOVING OR REPLACING DEFECTIVE PRODUCTS.

This warranty gives the purchaser specific rights, and the purchaser may have other rights which vary from state to state. Some states do not allow limitations on how long an implied warranty lasts or on the exclusion of incidental or consequential damages, so these limitations or exclusions may not apply to you.

Taco Comfort Solutions A Taco Family Company

Taco, Inc., 1160 Cranston Street, Cranston, RI 02920 | Tel: (401) 942-8000 | FAX: (401) 942-2360

Taco (Canada), Ltd., 8450 Lawson Road, Suite #3, Milton, Ontario L9T 0J8 | Tel: (905) 564-9422 | FAX: (905) 564-9436

Visit our web site: www.TacoComfort.com | ©2018 Taco, Inc.

