

5000 Series Lead Free ($\leq .25\%$ Lead) Mixing Valve

This versatile NSF 61 ASSE 1017 mixing valve provides the ultimate performance for domestic hot water installations. The 5000 Series allows for domestic hot water storage at temperatures high enough to increase the effective storage capacity of a water heater, kill harmful bacteria and still be delivered at a safe 120°F or less.



NSF® $\leq .25\%$ Lead

Meets California AB 1953
and Vermont Act 193



All union models are
available with a stainless
steel temperature gauge.



Now available in
Press-Connect
Models.



Submittal Data Information

5000 Series Lead Free Mixing Valve

NSF₆ ≤ .25% Lead

Meets California AB 1953 and Vermont Act 193

Submittal Data # 101-060
Supersedes: 04/29/15

Effective: 10/24/16

Features

- ≤ .25% lead
- ASSE 1017 Listed
- Ideal for Domestic Water Distribution Points
- Suitable for use in Potable Water
- Delivers Stable Mixed Water Temperature
- Extended Mix Temperature Range of 85-176°F (29-80°C)
- Tamper-Resistance Cap
- Union and NPT Options
- Sweat, NPT, Pex, Press, CPVC Union Connections
- Check Valves Included (Except non-union versions)
- Low Headloss
- Outlet Temperature Strip
- Optional Dial Gauge and Adaptor

Performance

- CV: 2.3
- Max. Flow: 20 gpm (76 L/Min)
- NOTE: Flow should never exceed standards for pipe size.
- Min. Flow: 1 gpm (3.8 L/Min)
- Hot Supply Temperature: 120-180°F (49-82°C)
- Cold Supply Temperature: 39-80°F (5-27°C)
- Max. Inlet Pressure: 230 psi (15.85 Bar)
- Max. Variation in Supply Pressure: 20%
- Min. Temperature Differential Between Hot Supply and Mixed: 10°F (5.6°C)
- Outlet Temperature Range: 85-175 F (29-80°C)
- Factory set to: 115-120°F (41-45°C)
- Accuracy of Outlet Temperature: ± 3°F

Materials

- Body: Forged Brass ≤ .25% lead Brass
- Internal Components:
 - ≤ .25% lead Brass
 - Noryl GFN2
- Seals: Viton
- Spring: Stainless Steel
- Piston: Polysulfone
- Fittings: Varies (Brass, CPVC, Copper)
- Gaskets: EPDM
- Temperature Gauge: Stainless Steel
- Gauge Fitting: Brass

Approvals

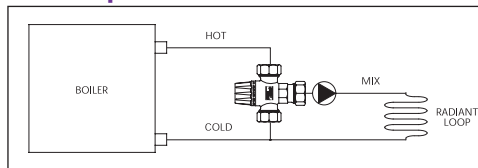
- ASSE 1017
- cUPC Listed
- CSAB125.3



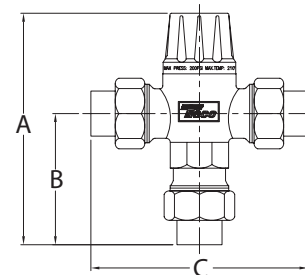
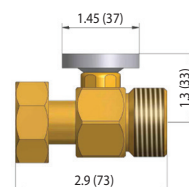
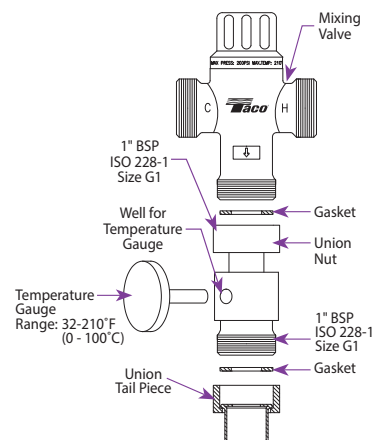
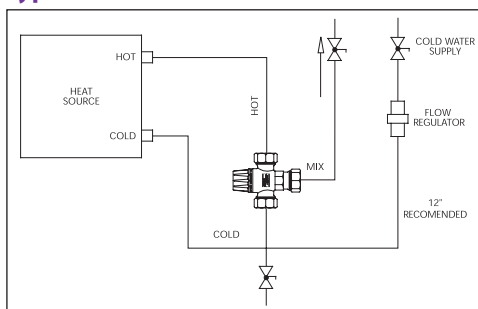
Application

This versatile NSF 61 and ASSE 1017 mixing valve provides the ultimate performance for domestic hot water applications. The 5000 Series ASSE 1017 certification allows for domestic hot water storage at temperatures high enough to increase the effective storage capacity of a water heater, kill harmful bacteria and still be delivered at a safe 120°F or less. The valve's unique design and advanced thermostatic element ensures a stable mixed water temperature throughout the extended 85°-176°F range.

Low Temperature or Radiant Installation



Typical Domestic Water Installation



5000 Series Mixing Valve Dimensions Dimensions for reference only

Taco Model	Description	A Height		B Lower Height		C Width	
		In.	mm	In.	mm	In.	mm
5000-3	BODY ONLY*	4.0	101.6	1.9	48.3	3.3	83.8
5002-B3	1/2" UNION CPVC	5.8	147.3	3.7	94.0	7.1	180.3
5002-C3	1/2" UNION SWEAT	4.8	121.9	2.7	68.6	4.8	121.9
5002-P3	1/2" UNION PEX	5.0	128.5	2.9	73.7	5.4	137.2
5002-T3	1/2" UNION NPT	5.3	134.6	3.2	81.3	5.8	147.3
5002-H3	1/2" UNION PRESS	4.9	124.5	3.8	96.5	7	177.8
5003-B3	3/4" UNION CPVC	5.8	147.3	3.7	94.0	7.1	180.3
5003-C3	3/4" UNION SWEAT	5.0	127.0	2.9	73.7	5.4	137.2
5003-N3	3/4" NPT FEMALE	4.3	109.2	2.2	55.9	3.0	76.2
5003-P3	3/4" UNION PEX	5.1	129.5	2.9	73.7	5.4	137.2
5003-T3	3/4" UNION NPT	5.5	139.7	3.4	86.4	6.3	160.0
5003-H3	3/4" UNION PRESS	7	177.8	3.9	99.1	7.3	185.4
5004-C3	1" UNION SWEAT	6.1	154.9	4.0	101.6	5.4	137.2
5004-P3	1" UNION PEX	5.2	132.1	3.1	78.7	5.8	147.3
5004-H3	1" UNION PRESS	7	177.8	3.9	99.1	7.3	185.4



A Taco Family Company

Taco Inc., 1160 Cranston Street, Cranston, RI 02920 / (401) 942-8000 / Fax (401) 942-2360
Taco (Canada) Ltd., 8450 Lawson Road, Unit #3, Milton, Ontario L9T 0J8 / (905) 564-9422 / Fax (905) 564-9436

www.TacoComfort.com

For models with a gauge add -G to the end of the model number. This will change the total valve height.

*Does not include connections