



# Submittal Data Information

## Cartridge Style Pressure Reducing Valves

101-070

Effective: April 1, 2005

Supersedes: May 15, 2000

Job: \_\_\_\_\_ Engineer: \_\_\_\_\_ Contractor: \_\_\_\_\_ Rep: \_\_\_\_\_

ITEM NO.	MODEL NO.	

### Purpose

To automatically feed water to a system whenever pressure in the system drops below the pressure setting of the valve.

### Operation

The cartridge style design ensures unsurpassed output pressure stability. A balance between diaphragm position and spring tension based on the desired outlet pressure is consistently maintained, even when inlet pressures fluctuate severely. The unique one-piece cartridge design significantly reduces diaphragm load, extending the overall product life. Unlike conventional PRV designs, the diaphragm does not double

as a seal between the body and the cap. This allows for optimization of the diaphragm for its intended use - maintaining pressure stability. A unique encapsulated shaft seal system prevents flowing media from contacting the diaphragm, greatly extending diaphragm life. If the diaphragm ever does fail, the encapsulated shaft and body seals work together to stop water from exiting the valve. Use of a stainless steel coaxial strainer prohibits system debris from affecting the valves' performance. An integral check valve allows the cartridge to be removed under system pressure for replacement or servicing. A one-handed fast-fill lever speeds system filling time.

### Ratings

Fast Fill Mode: 2.1 C<sub>v</sub>  
Media: Water

### Materials of Construction

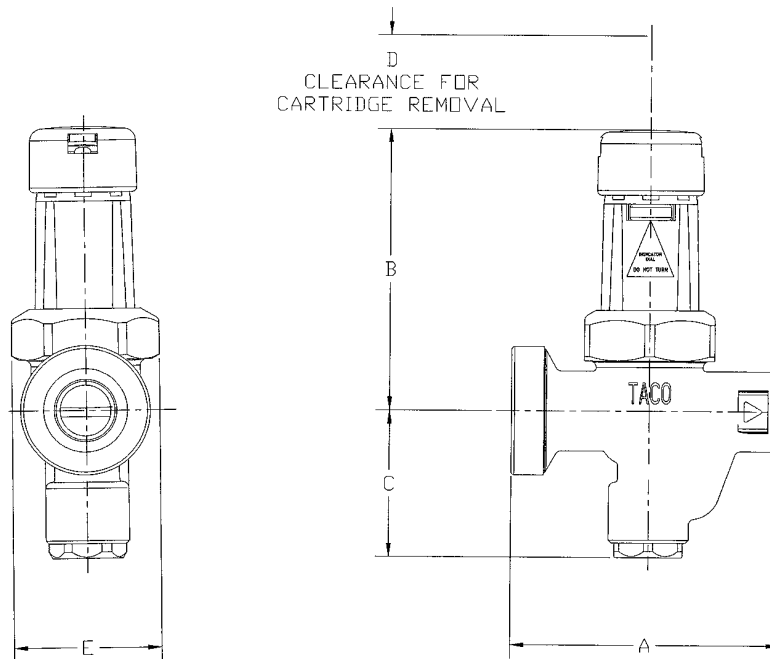
Body: Bronze  
Internal Parts: Stainless Steel and Engineered Plastics

### Certifications

ASSE 1003 Approved  
Water Research Council Approved  
Exceeds BS 6283 Pt.4  
Meets Germany's DGWV  
ISO 9001 Manufacturing Facility

### Dimensions

Product Number	Size Description	Max. Inlet Pressure	Max. Fluid Temperature	Adjustment Range	Factory Preset	Dimensions				
						A	B	C	D	E
3350-T	1/2" NPT	230 psi	180°F	10-50 psi	12 psi	3 9/16"	3 3/4"	2"	1 5/8"	1 15/16"



## Do it Once. Do it Right.

Taco, Inc., 1160 Cranston Street, Cranston, RI 02920 Telephone: (401) 942-8000 Fax: (401) 942-2360

Taco (Canada), Ltd., 6180 Ordan Drive, Mississauga, Ontario L5T 2B3 Telephone: (905) 564-9422 Fax: (905) 564-9436

Visit our website at: [www.taco-hvac.com](http://www.taco-hvac.com)

Printed in USA  
Copyright 2005  
TACO, Inc.