



# Submittal Data Information

## Wood Boiler Series – High Capacity Circulators

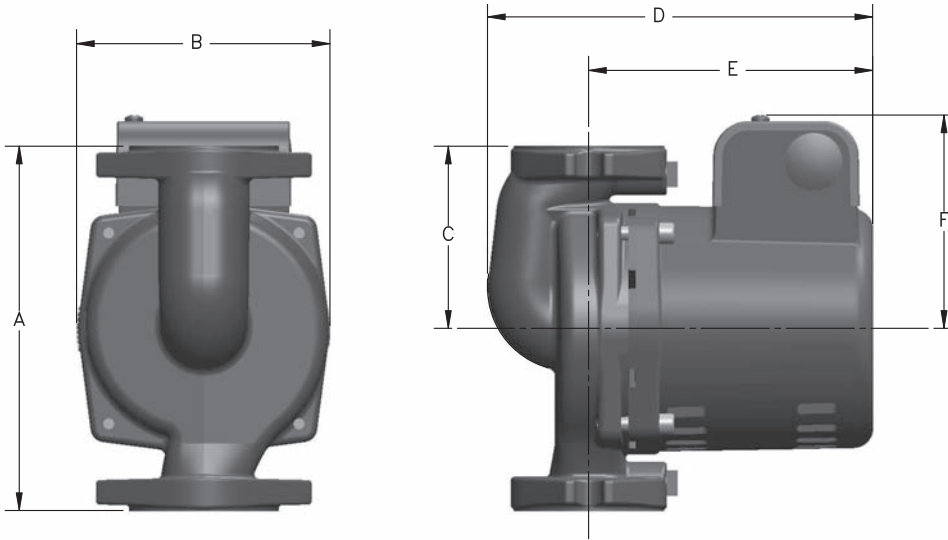
101-131

EFFECTIVE: DECEMBER 1, 2008

SUPERSEDES: SEPTEMBER 1, 2008

JOB \_\_\_\_\_ ENGINEER \_\_\_\_\_ CONTRACTOR \_\_\_\_\_ REP. \_\_\_\_\_

ITEM	MODEL NO.	G.P.M.	HEAD (FT.)	H.P.	ELEC. CHAR.
------	-----------	--------	------------	------	-------------



### MATERIALS OF CONSTRUCTION

Casing: Cast Iron or Stainless Steel  
 Face Plate: Stainless Steel  
 Motor Housing: Aluminum  
 Impeller: 30% Glass-filled Noryl \*  
 Impeller Insert: Stainless Steel  
 Shaft: Stainless Steel  
 Mechanical Seal: Carbon/Silicon-Carbide  
 Motor Bearings: Stainless Steel, Permanently Lubricated  
 O-Ring/Flange Gaskets: EPDM

\* Noryl is a registered trademark of General Electric Co.

### PUMP DIMENSIONS & WEIGHTS

CAST IRON MODEL	STAINLESS STEEL MODEL	CONNECTION TYPE	A		B		C		D		E		F		SHIP WEIGHT	
			IN.	MM	IN.	MM	IN.	MM	IN.	MM	IN.	MM	IN.	MM	LBS.	KG
2400-20-WB	2400-20S-WB	FLANGED	6 <sup>3</sup> / <sub>8</sub>	162	4 <sup>1</sup> / <sub>2</sub>	114	3 <sup>3</sup> / <sub>16</sub>	82	6 <sup>3</sup> / <sub>4</sub>	171	4 <sup>7</sup> / <sub>8</sub>	124	3 <sup>3</sup> / <sub>4</sub>	95	12	5.5

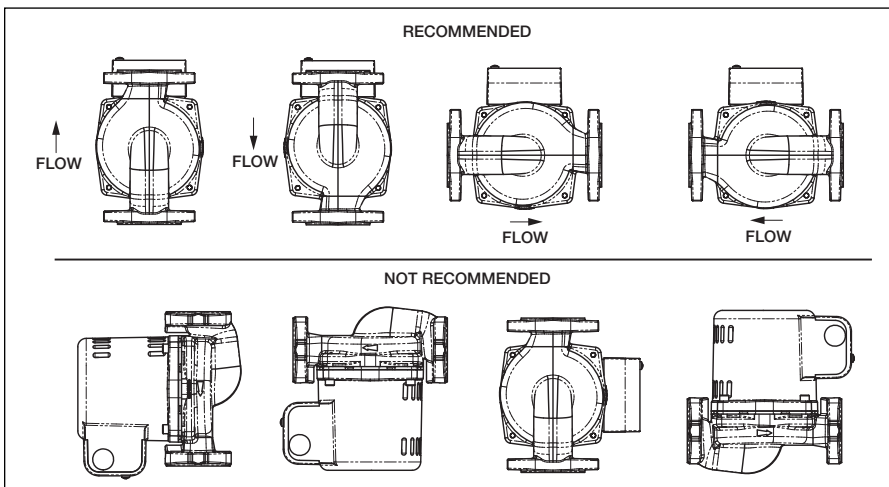
### ELECTRICAL DATA

MODEL	VOLTS	Hz	Ph	AMPS	RPM	HP
2400-20-WB	115	60	1	1.6	3450	1/6
Motor Type	Open Drip Proof, Permanent Split Capacitor, Thermally Protected					

### COMPANION FLANGE SETS

CONNECTION	3/4"	1"	1 1/4"	1 1/2"
Iron NPT	110-251F	110-252F	110-253F	110-254F
Stainless Steel NPT	110-251SF	110-252SF	110-253SF	110-254SF
Bronze SWT	110-523BSF	110-524BSF	110-525BSF	110-526BSF
Shut-Off NPT	SF-075T	SF-100T	SF-125T	SF-150T
Shut-Off SWT	SF-075S	SF-100S	SF-125S	SF-150S

### MOUNTING POSITIONS

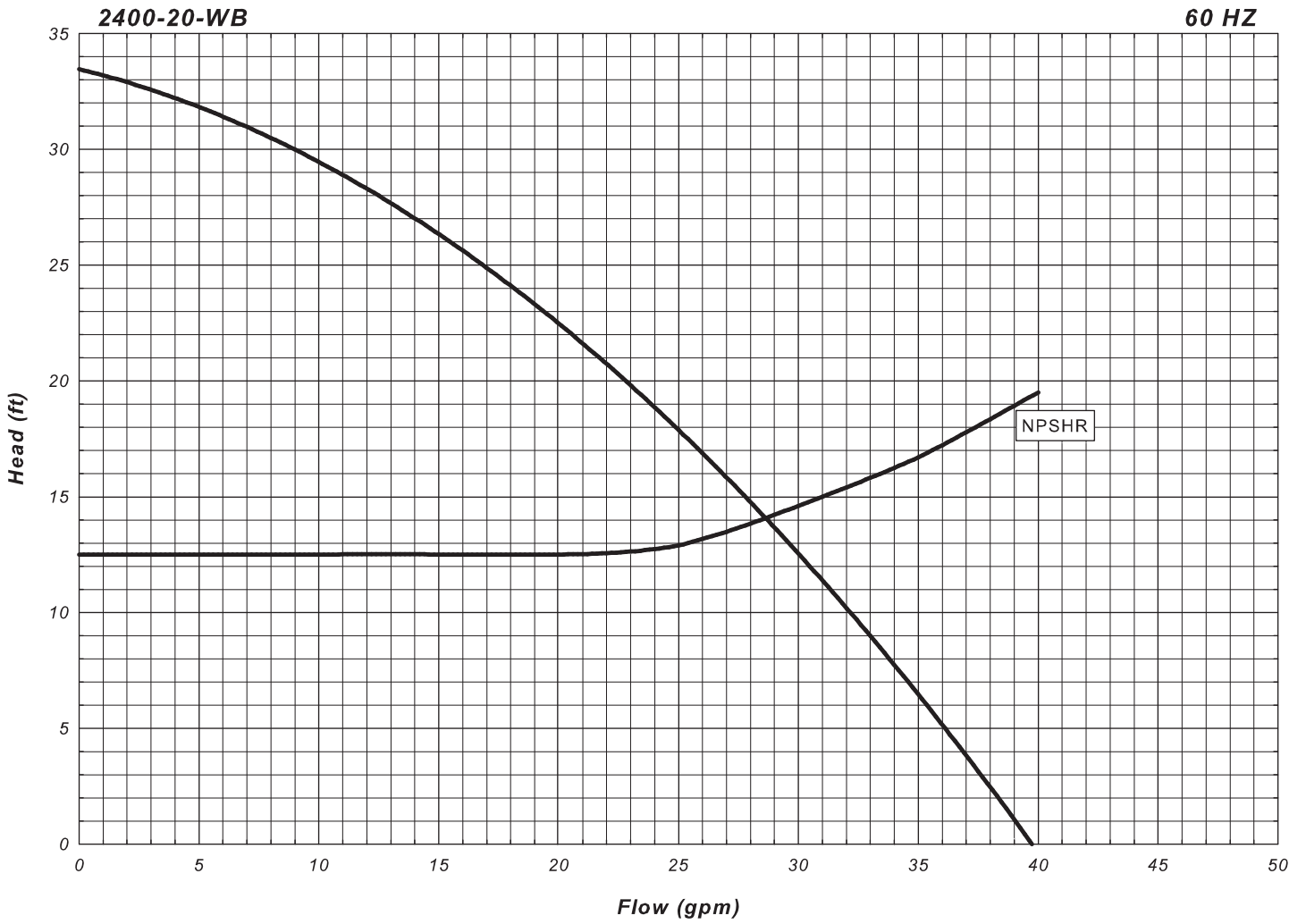


### PERFORMANCE DATA

Flow Range: 0-40 GPM  
 Head Range: 0-34 Feet  
 Minimum Fluid Temp: 40°F (4°C)  
 Maximum Fluid Temp: 225°F (107°C)  
 Maximum Working Pressure: 150 psi



FOR INDOOR USE ONLY



**Comfort Made Easy.®**

**TACO, INC.**, 1160 Cranston Street, Cranston, RI 02920 Telephone: (401) 942-8000 FAX: (401) 942-2360.  
**TACO (Canada), Ltd.**, 6180 Ordan Drive, Mississauga, Ontario L5T 2B3. Telephone: 905/564-9422. FAX: 905/564-9436.

Visit our web site at: <http://www.taco-hvac.com>

Printed in USA  
 Copyright 2008  
 TACO, Inc.