



Submittal Data Information

101-147

5120 Series Low Lead Mixing Valve

Effective: July 30, 2010

Supersedes: New

Job: _____ Engineer: _____ Contractor: _____ Rep: _____

ITEM NO.	MODEL NO.	

Features

- ≤ .25% Lead
- NSF 61 Certified
- Suitable for use in Potable Water
- Available 1/2", 3/4", 1"
- High Flow
- Snap on Protective Cover
- No Routine Maintenance Required

Performance

Cv:	1/2"	2.12
	3/4"	1.63
	1"	1.37
Max. Flow:	1/2"	17 gpm
	3/4"	18.5 gpm
	1"	20 gpm

Hot Supply Temperature:
104-210°F (60-100°C)

Cold Supply Temperature:
39-80°F (5-27°C)

Max. Inlet Pressure:
200 psi (13.8 Bar)

**Max. Differential Pressure
Between Hot and Cold:** 2:1

**Min. Temperature
Differential Between
Hot Supply and Mixed:** 25°F
(14°C)

Outlet Temperature Range:
95°-130°F (35-55°C)

Factory set to:
120°F (49°C)

Materials

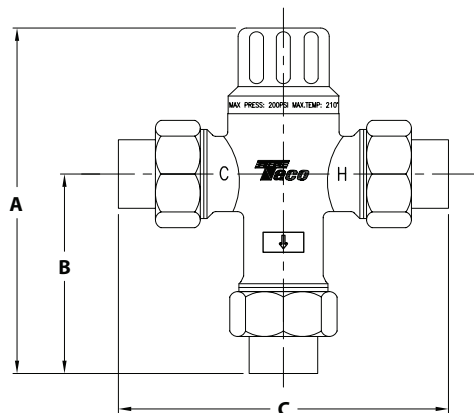
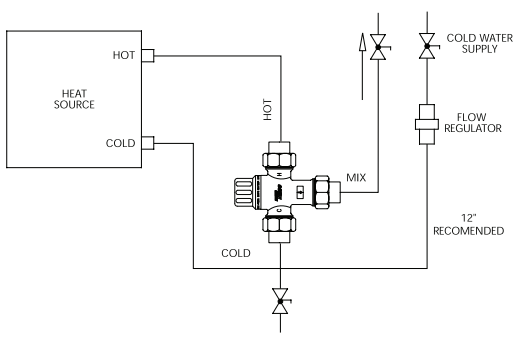
- Body:** Forged Brass, Nickel Plated
- Internal Brass Components:** Brass
- Seals:** Viton
- Spring:** Stainless Steel
- Piston:** Polysulfone
- Fittings:** Brass, Copper (1")
- Gaskets:** EPDM

Application:

The 5120 Series Mixing Valve is designed for use at the water heater to distribute controlled water temperatures to the domestic hot water system. The high flow, low head loss characteristics of the NSF 61 certified 5122 Series mixing valve make it ideal for use in the distribution of water

through a domestic hot water system. The valves unique design and advanced thermostatic element ensures a stable mixed water temperature throughout the valves adjustable range.

Domestic Water Installation



Approvals/Listings

- NSF 61
- ASSE 1017
- cUPC
- CSA125.3

DIMENSIONS FOR REFERENCE ONLY

TACO MODEL	VALVE SIZE	A	B	C
5122	1/2" (15 MM)	4.6 (117)	2.76 (70)	4.41 (112)
5123	3/4" (20 MM)	4.85 (123)	3.00 (76)	4.88 (124)
5124	1" (25 MM)	6.03 (153)	4.17 (106)	7.24 (184)

Do it Once. Do it Right.®

TACO INC., 1160 Cranston Street, Cranston, RI 02920 Telephone: (401) 942-8000 Fax: 942-2360
 TACO (Canada), Ltd., 6180 Ordan Drive, Mississauga, Ontario L5T 2B3 Telephone: (905) 564-9422 Fax: (905) 564-9436
 Visit our website at: www.taco-hvac.com

Printed in USA
 Copyright 2010
 TACO, Inc.