

4900 Series™ Magnetic Dirt Separators

Taco's 4900 Series™ of magnetic dirt separators increase system life and efficiency by removing ferrous material and other harmful, loose particles from closed loop hydronic heating systems. A powerful, service-free magnetic ring and convenient blow down valve are included for quick and easy system maintenance. Available with Sweat or NPT connections in sizes ranging from 3/4" – 2".



Longer system life, better performance!



Submittal Data Information 4900 Series™ Magnetic Dirt Separators

Submittal Data # 101-211
Supersedes: NEW

Effective: 02/25/19

4900 Materials of Construction

Housing: Brass
PALL Rings: Stainless Steel
O-Ring: EPDM
Additional materials: PTFE, NBR

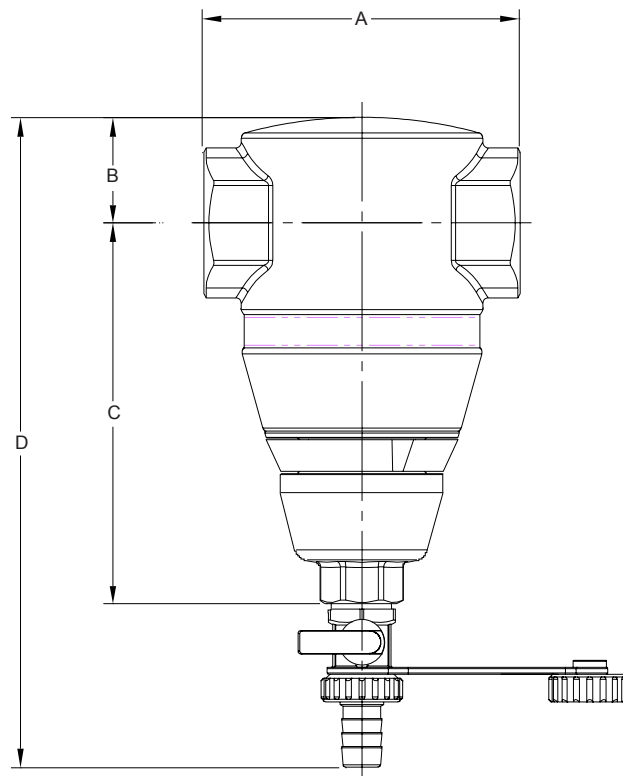
4900 Ratings

Max. Operating Pressure: 150 psi
Max. Operating Temperature: 240°F
Min. Operating Temperature: 35°F
Media: Water or Water/Glycol
up to 50%
Max. Velocity: 5 feet/sec

Product	Cv	Kv
49MD-075	12	10
49MD-100	17	15
49MD-125	29	25
49MD-150	35	30
49MD-200	71	61

4900 Dimensions: (FOR REFERENCE PURPOSES)

Part No	CONN.	A in (mm)	B in (mm)	C in (mm)	D in (mm)
49MD-075T-2	¾" NPT	3.78 (96)	1.10 (28)	4.17 (106)	7.60 (193)
49MD-100T-2	1" NPT	4.37 (111)	1.30 (32.5)	4.80 (122)	8.41 (213.5)
49MD-125T-2	1 ¼" NPT	4.49 (114)	1.50 (38)	5.39 (137)	9.21 (234)
49MD-150T-2	1 ½" NPT	4.49 (114)	1.50 (38)	5.39 (137)	9.21 (234)
49MD-200T-2	2" NPT	5.16 (131)	1.77 (45)	5.96 (151.5)	10.06 (255.5)
Part No	CONN.	A in (mm)	B in (mm)	C in (mm)	D in (mm)
49MD-075C-2	¾" SWT	4.21 (107)	1.10 (28)	4.17 (106)	7.60 (193)
49MD-100C-2	1" SWT	4.80 (122)	1.30 (32.5)	4.80 (122)	8.41 (213.5)
49MD-125C-2	1 ¼" SWT	5.20 (132)	1.50 (38)	5.39 (137)	9.21 (234)
49MD-150C-2	1 ½" SWT	5.43 (138)	1.50 (38)	5.39 (137)	9.21 (234)



A Taco Family Company

Taco Inc., 1160 Cranston Street, Cranston, RI 02920 / (401) 942-8000 / Fax (401) 942-2360
Taco (Canada) Ltd., 8450 Lawson Road, Unit #3, Milton, Ontario L9T 0J8 / (905) 564-9422 / Fax (905) 564-9436