



Submittal Data Information

100-069

Freedom Flanges®

Effective: July 22, 2008

Supersedes: April 1, 2003

Job: _____ Engineer: _____ Contractor: _____ Rep: _____

ITEM NO.	MODEL NO.	

At last, freedom from scraped knuckles and jury-rigged tools. Taco's new flanges give you lots of ways to make quick work of your installation:

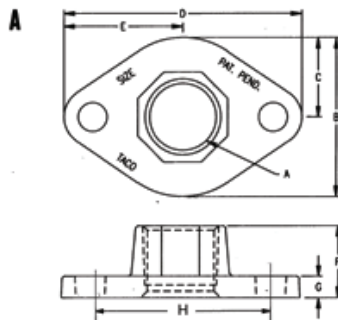
- Fits All 00® circulators
- Easy-On, Easy-Off with a common Adjustable Wrench
- Available in:
 - Cast Iron, 3/4" - 2"
 - Bronze Threaded, 3/4" - 2"
 - Bronze Sweat, 1/2" - 1-1/2"
 - Stainless Steel, 3/4" - 2"



Cast Iron freedom Flanges®

Cast Iron Freedom Flange® Sets (005 thru 0011, 0013, 0014, 110-113, 1400-10, 1400-20, 1400-45, 1400-50)

Figure	Product #	Size A	B	C	D	E	F	G	H
A	110-251F	3/4" NPT	2-3/4"	1-3/8"	4-1/8"	2-1/16"	1"	3/8"	3-1/8"
A	110-252F	1" NPT	2-3/4"	1-3/8"	4-1/8"	2-1/16"	1"	3/8"	3-1/8"
A	110-253F	1-1/4" NPT	2-3/4"	1-3/8"	4-1/8"	2-1/16"	1"	3/8"	3-1/8"
A	110-254F	1-1/2" NPT	2-3/4"	1-3/8"	4-1/8"	2-1/16"	1"	3/8"	3-1/8"



Cast Iron Freedom Flange® Sets (0012/HV, 1400-30, 1400-40)

Figure	Product #	Size A	B	C	D	E	F	G	H
A	194-1540F	1-1/4" NPT	2-15/16"	1-15/32"	4-3/4"	2-3/8"	1-3/16"	9/16"	3-7/16"
A	194-1542F	1-1/2" NPT	2-15/16"	1-15/32"	4-3/4"	2-3/8"	1-3/16"	9/16"	3-7/16"

* 1-1/2" Flange set included in each 0012-F4 box.

Cast Iron Freedom Flange® Sets (0012/2", 1400-50/2)

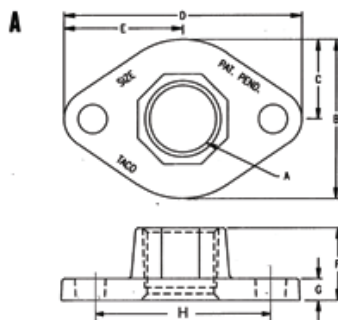
Figure	Product #	Size A	B	C	D	E	F	G	H
A	194-1543F	1-1/2" NPT	3-5/8"	1-13/16"	5-9/16"	2-25/32"	1-3/4"	9/16"	4-1/8"
A	194-2124F	2" NPT	3-5/8"	1-13/16"	5-9/16"	2-25/32"	1-3/4"	9/16"	4-1/8"

** 2" Flange set included in each 0012-F4-1 box.

Stainless Steel freedom Flanges®

Stainless Steel Freedom Flange® Sets for (005, 007-0011, 0013, 0014, 110-113, 1400-10/20/45/50)

Figure	Product #	Size A	B	C	D	E	F	G	H
A	110-251SF	3/4" NPT	2-3/4"	1-3/8"	4-1/8"	2-1/16"	1"	7/32"	3-1/8"
A	110-252SF	1" NPT	2-3/4"	1-3/8"	4-1/8"	2-1/16"	1"	7/32"	3-1/8"
A	110-253SF	1-1/4" NPT	2-3/4"	1-3/8"	4-1/8"	2-1/16"	1"	7/32"	3-1/8"
A	110-254SF	1-1/2" NPT	2-3/4"	1-3/8"	4-1/8"	2-1/16"	1"	7/32"	3-1/8"



0012 Stainless Steel Freedom Flange® Sets for (0012/HV, 1400-30/40)***

Figure	Product #	Size A	B	C	D	E	F	G	H
A	194-1540SF	1-1/4" NPT	2-15/16"	1-15/32"	4-3/4"	2-3/8"	1"	7/32"	3-7/16"
A	194-1542SF	1-1/2" NPT	2-15/16"	1-15/32"	4-3/4"	2-3/8"	1"	7/32"	3-7/16"

*** 1-1/2" Flange set included in each 0012-SF4 box.

0012 Stainless Steel Freedom Flange® Sets (0012/2", 1400-50/2)****

Figure	Product #	Size A	B	C	D	E	F	G	H
A	194-2124SF	2" NPT	3-5/8"	1-13/16"	5-9/16"	2-25/32"	1"	7/32"	4-1/8"

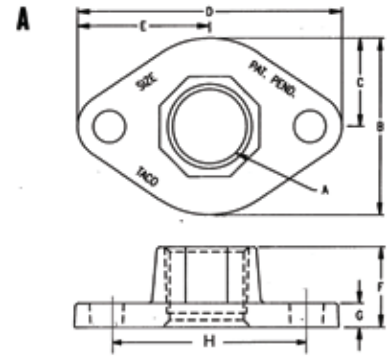
**** 2" Flange set included in each 0012-SF4-1 box.



Bronze freedom Flanges®

Bronze Threaded Freedom Flange® Sets (005, 007-0011, 0013, 0014, 110-113)

Figure	Product #	Size A	B	C	D	E	F	G	H
A	110-251BF	3/4" NPT	2-3/4"	1-3/8"	4-1/8"	2-1/16"	1-1/4"	3/8"	3-1/8"
A	110-252BF	1" NPT	2-3/4"	1-3/8"	4-1/8"	2-1/16"	1-1/4"	3/8"	3-1/8"
A	110-253BF	1-1/4" NPT	2-3/4"	1-3/8"	4-1/8"	2-1/16"	1-7/16"	3/8"	3-1/8"
A	110-254BF	1-1/2" NPT	2-3/4"	1-3/8"	4-1/8"	2-1/16"	1-7/16"	3/8"	3-1/8"



0012 Bronze Threaded Freedom Flange® Sets (0012/HV, 1400-30/40)***

Figure	Product #	Size A	B	C	D	E	F	G	H
A	194-1540BF	1-1/4" NPT	2-15/16"	1-15/32"	4-3/4"	2-3/8"	1-9/16"	9/16"	3-7/16"
A	194-1542BF	1-1/2" NPT	2-15/16"	1-15/32"	4-3/4"	2-3/8"	1-9/16"	9/16"	3-7/16"

*** 1-1/2" Flange set included in each 0012-BF4 box.

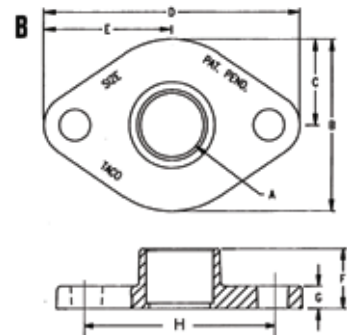
0012 Bronze Freedom Flange® Sets (0012/2")****

Figure	Product #	Size A	B	C	D	E	F	G	H
A	194-1543BF	1-1/2" NPT	3-5/8"	1-13/16"	5-9/16"	2-25/32"	1-3/4"	9/16"	4-1/8"
A	194-2124BF	2" NPT	3-5/8"	1-13/16"	5-9/16"	2-25/32"	1-3/4"	9/16"	4-1/8"

**** 2" Flange set included in each 0012-BF4-1 box.

Bronze Sweat Freedom Flange® Sets (005, 006, 007-0011, 0013, 0014, 110-113, 1400-10/20/45/50)

Figure	Product #	Size A	B	C	D	E	F	G	H
B	110-522BSF	1/2" Swt	2-3/4"	1-3/8"	4-1/8"	2-1/16"	7/8"	3/8"	3-1/8"
B	110-523BSF	3/4" Swt	2-3/4"	1-3/8"	4-1/8"	2-1/16"	7/8"	3/8"	3-1/8"
B	110-524BSF	1" Swt	2-3/4"	1-3/8"	4-1/8"	2-1/16"	1"	3/8"	3-1/8"
B	110-525BSF	1-1/4" Swt	2-3/4"	1-3/8"	4-1/8"	2-1/16"	1-1/8"	3/8"	3-1/8"
B	110-526BSF	1-1/2" Swt	2-3/4"	1-3/8"	4-1/8"	2-1/16"	1-1/4"	3/8"	3-1/8"



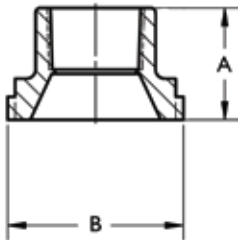
Submittal Data Information Bronze Half-Unions, Shut-Off Unions

The perfect union! Match up our new Bronze Half Unions or Shut-Off Unions with Taco's 003 & 006 Union Connection models for an easy-to-service installation.

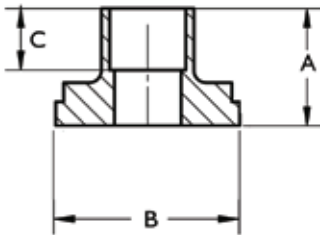
Features

- Fits all 003 & 006 Union Connection models
- Easy-to-Install, Easy-to-Service
- Available in 1/2" or 3/4" sizes
- Sweat, Threaded and Shut-off options

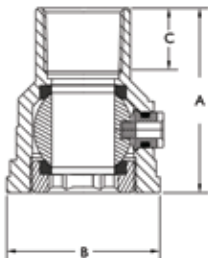
Threaded Half Union



Sweat Half Union



Bronze Shut-Off Union



Bronze Half-Union Set

Product #	Size	A	B	C
110-556	1/2" NPT	15/16"	1-1/2"	—
110-557	3/4" NPT	15/16"	1-1/2"	—
110-558	1/2" Swt	15/16"	1-1/2"	1/2"
110-559	3/4" Swt	15/16"	1-1/2"	3/4"



Bronze Shut-Off Union

Product #	Size	A	B	C
258-1	1/2" NPT	1-7/8"	1-1/2"	—
258-2	3/4" NPT	1-7/8"	1-1/2"	—
258-3	1/2" Swt	1-7/8"	1-1/2"	1/2"
258-4	3/4" Swt	1-7/8"	1-1/2"	3/4"



Do it Once. Do it Right.®

TACO INC., 1160 Cranston Street, Cranston, RI 02920 Telephone: (401) 942-8000 Fax: 942-2360
TACO (Canada), Ltd., 6180 Ordan Drive, Mississauga, Ontario L5T 2B3 Telephone: (905) 564-9422 Fax: (905) 564-9436
Visit our website at: www.taco-hvac.com

Printed in USA
Copyright 2008
TACO, Inc.