



Submittal Data Information

101-202

SmartPlus-e™ ECM High-Efficiency Hot Water Recirculation System

Supersedes: **NEW**

Effective: February 26, 2018

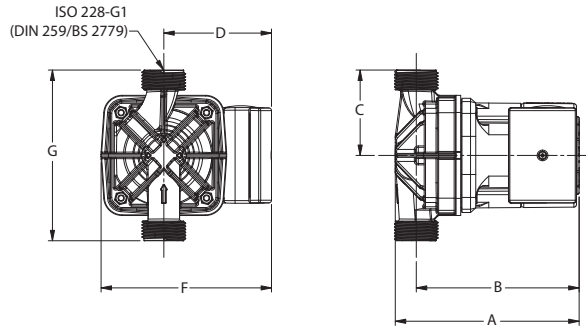
Job: _____ Engineer: _____ Contractor: _____ Rep: _____

ITEM NO.	MODEL NO.	

System Model Number **SPE-1**

006e3 Specifications

- Maximum Shut-off Head: 13 feet
- Maximum Flow: 11 gpm
- Maximum Operating Pressure: 150 psi (10 bar)
- Maximum Water Temp: 203°F (95°C)
- Minimum Water Temp: 36°F (2°C)
- Electrical Specifications:
 - Voltage: 120V, 60 Hz
 - Single phase
 - Max. Operating Power: 44W
 - Max. AMP Rating: 0.54
- Equipped with a composite casing designed for open loop potable water systems
- Not suitable for chilled water
- Taco circulator pumps are for indoor use only
- Acceptable for use with water



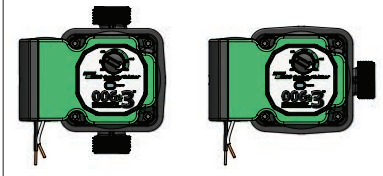
Pump Dimensions & Weights

Model Number (Part Number)	A		B		C		D		F		G		Ship Wt.	
	in.	mm	in.	mm	in.	mm	in.	mm	in.	mm	in.	mm	lbs.	Kg
006e3LC VM1212-DY1-UP2A01	5-1/2	140	4-7/8	124	2-5/8	67	3-1/4	82	5-1/8	130	5-1/8	130	3.5	1.6

Materials of Construction

Casing: Composite
 Stator Housing:..... Composite
 Cartridge: Composite
 Impeller:..... Composite
 Shaft: Ceramic
 Bearings: Carbon
 Thrust Bearing: Ceramic
 O-Ring & Gaskets:.....EPDM

Mounting Positions



Electrical Data

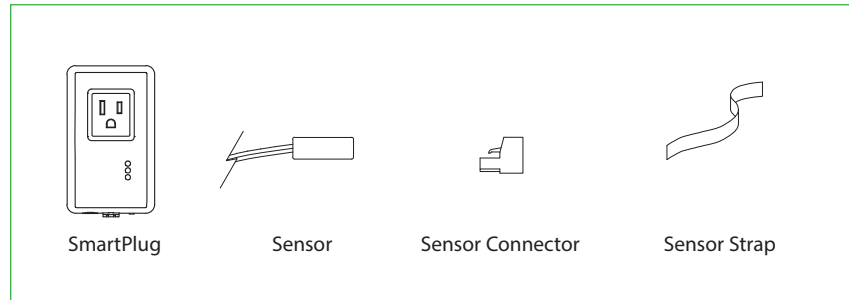
Model	Volts	Hz	Ph	Max.Amps	Watts	RPM
All Models	120	60	1	.54	44	1440 - 3720
Motor Type	ECM, Permanent Magnet, Thermally Protected					



SmartPlug Specifications

- Input: 120VAC, 50/60HZ, single phase, 6A
- Output: 120VAC, 50/60HZ, Single phase, 1/2 hp (limited to 6 FLA, 36LRA)
- Sensor: NTC Thermistor, 10K ohm @ 77°F, B= 3392
- Fuse: 125V, 6A, Medium Acting 5x20 mm glass, Littelfuse® p/n 0233006 mxp
- Ambient Operating Temp: 50-104°F, 10-40°C

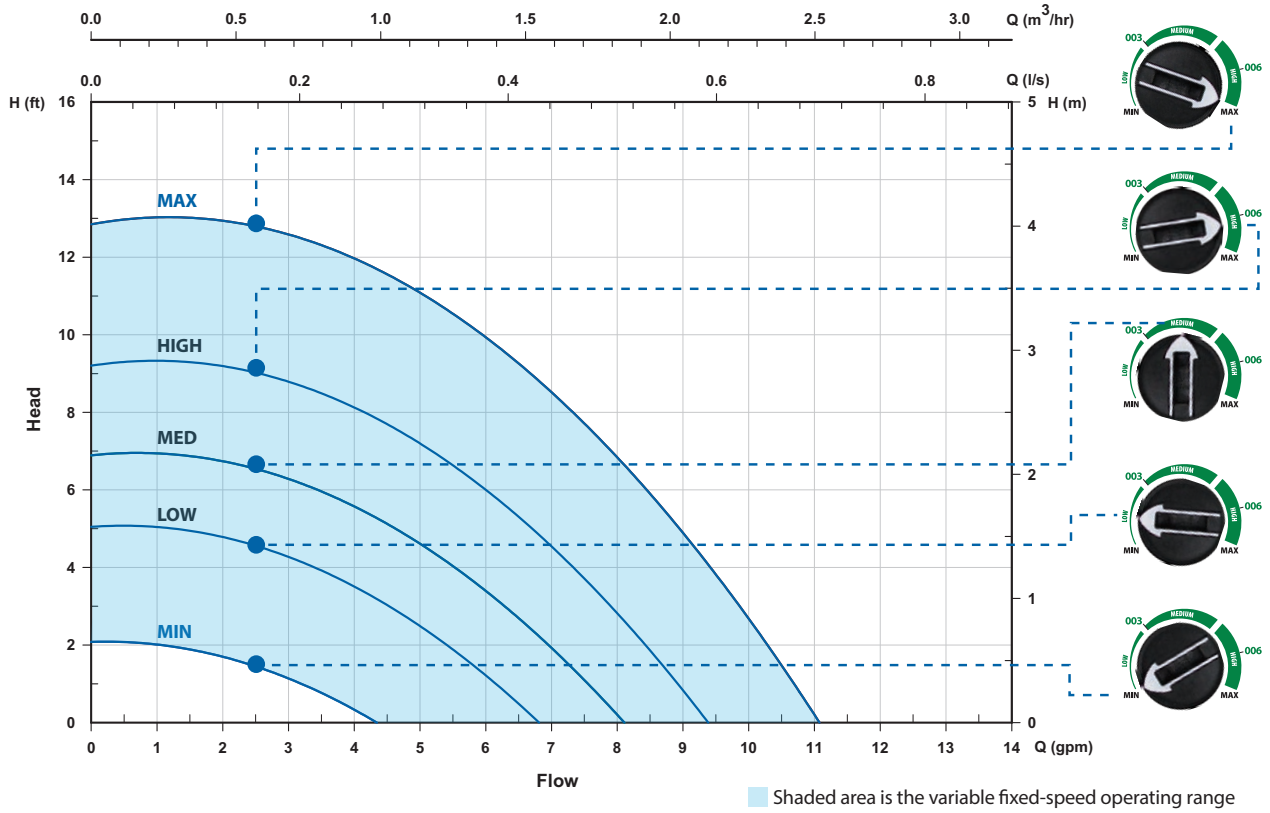
SmartPlug Components



SmartPlus-e

006e3TM
ECM HIGH-EFFICIENCY
HOT WATER CIRCULATOR

Performance Curves
115V/60Hz



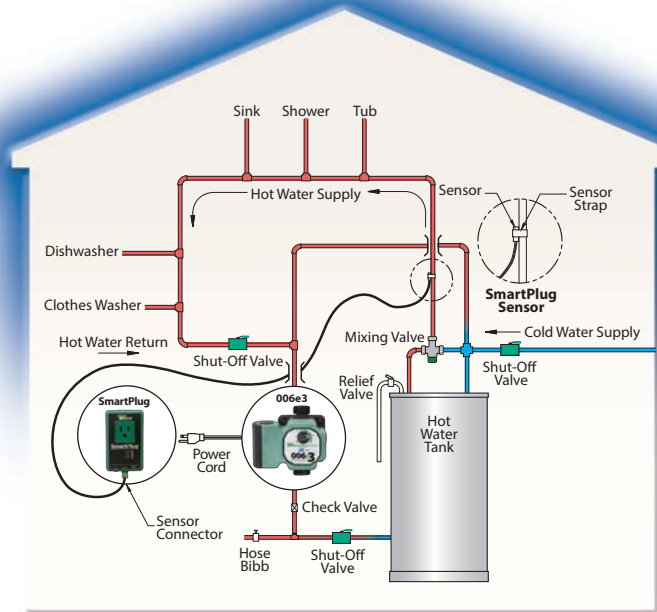
FIXED SPEED MODE



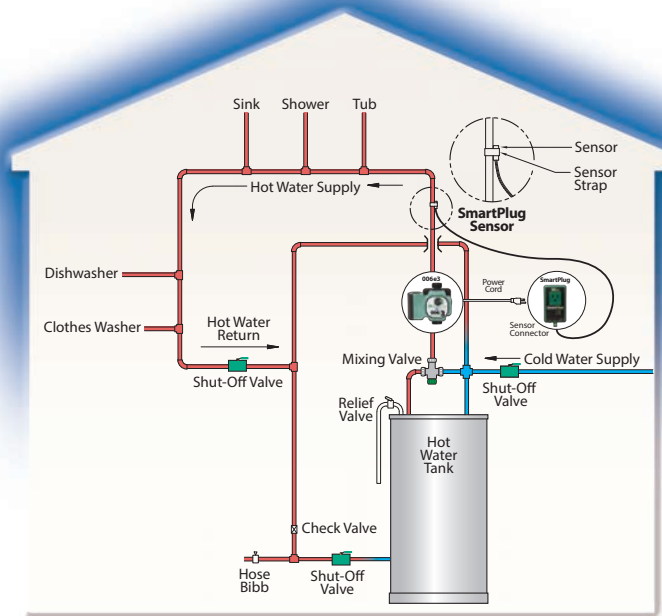
The SmartPlus-e 006e3 is factory-programmed for **Medium Speed Setting**. Simply turn the dial to match system requirements.

- 3-Speed Settings (Low, Medium, High)
- Infinitely variable fixed speed settings between Min/Max
- Pre-marked settings on dial to equal 003 & 006 performance

SmartPlus-e Install Locations



Hot water return installation (For reference only)



Hot water supply installation (For reference only)

Taco Comfort Solutions® A Taco Family Company

Taco, Inc., 1160 Cranston Street, Cranston, RI 02920 | Tel: (401) 942-8000 | FAX: (401) 942-2360

Taco (Canada), Ltd., 8450 Lawson Road, Suite #3, Milton, Ontario L9T 0J8 | Tel: (905) 564-9422 | FAX: (905) 564-9436

Visit our web site: www.TacoComfort.com | Printed in USA | ©2018 Taco, Inc.

