



Submittal Data Information

HLS-2 Hot-Link System

for Domestic Hot Water Recirculation

101-180

Effective: July 8, 2016

Supersedes: NEW

Job: _____ Engineer: _____ Contractor: _____ Rep: _____

ITEM NO.	MODEL NO.	

Hot-Link System Includes:

- Hot-Link Valve
- HLS-2 Hot-Link Circulator
- (2) Braided Flex Hoses
- (2) 3/4" Half-Unions (Male & Female)

Materials of Construction — Pump & Unions

- Casting (Volute)Stainless Steel
- Stator Housing.....Steel
- CartridgeStainless Steel
- Impeller.....Noryl
- Shaft.....Ceramic
- Bearings.....Carbon
- O-Ring.....EPDM
- Half-Unions & Tailpieces...Brass

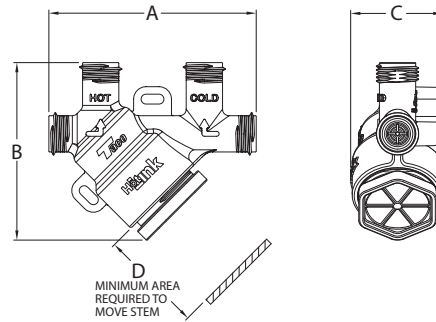
Materials of Construction — Hot-Link Valve

- BodyNylon
- Thermal Disk Actuator....Bi-Metal
- O-Ring Seals.....EPDM
- Integral Flow Check (IFC®):
 - Body, PlungerAcetal
 - O-RingsEPDM
- Screen304 SS
- Stem.....Nylon
- Actuator CartridgeStainless Steel
- Braided Flex Hoses.....Stainless Steel

Certifications & Listings

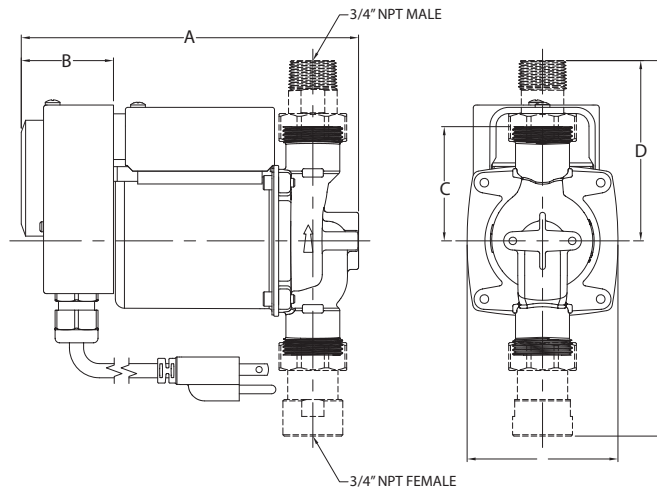
Dimensions & Weights: Hot-Link Valve

Connection	A		B		C		D		Ship Wt.	
	in.	mm	in.	mm	in.	mm	in.	mm	Lbs.	Kg
1/2" MNPT	4	102	4-7/16	87	1-3/4	41	2-1/2	64	0.37	0.17



HLS-2 Hot-Link Circulator

A		B		C		D		E		F		Ship Wt.	
in.	mm	in.	mm	in.	mm	in.	mm	in.	mm	in.	mm	Lbs.	Kg
7-3/8	187	2	51	2-1/2	64	4	102	8-1/4	210	3-5/16	84	8.0	3.6



Electrical Data

Model	Volts	Hz	Ph	Amps	RPM	HP
Hot-Link Circulator	115	60	1	.52	3250	1/40
Motor Type	Permanent Split Capacitor Impedance Protected					



Taco, Inc., 1160 Cranston Street, Cranston, RI 02920 | Tel: (401) 942-8000 | FAX: (401) 942-2360

Taco (Canada), Ltd., 8450 Lawson Road, Suite #3, Milton, Ontario L9T 0J8 | Tel: (905) 564-9422 | FAX: (905) 564-9436

Visit our web site: www.TacoComfort.com | Printed in USA | ©2015 Taco, Inc.

