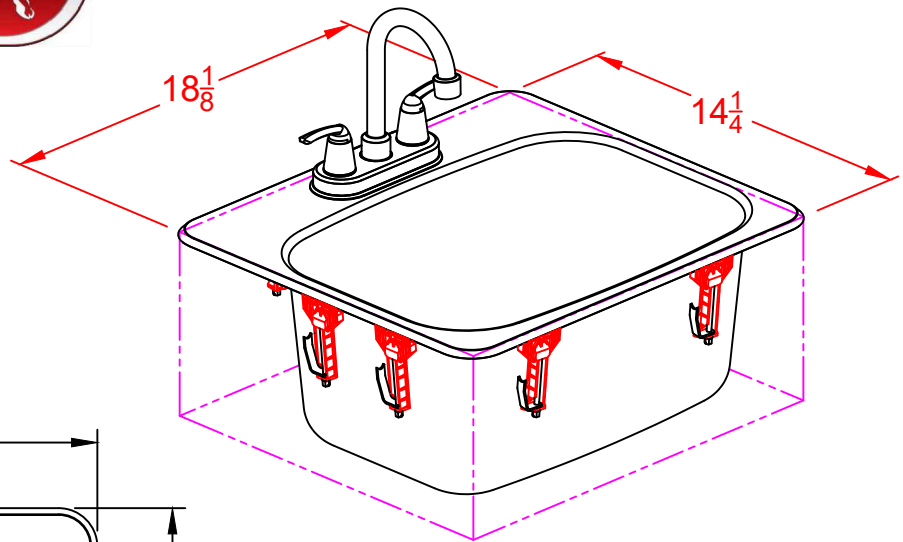


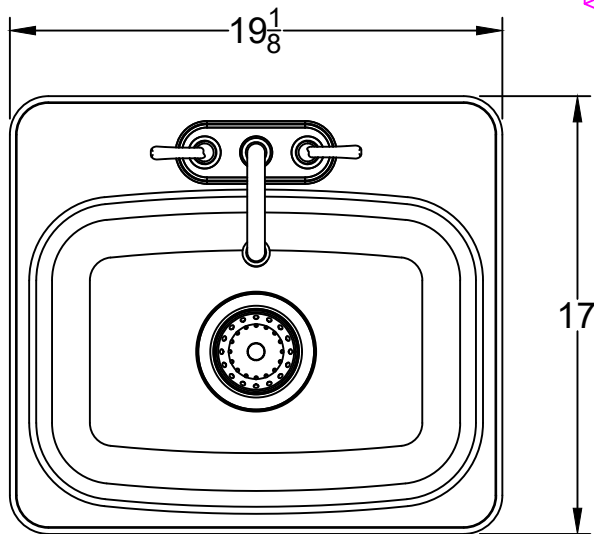


SPEC SHEET
ITEM# 12391
LARGE SINK AND FAUCET
STAINLESS STEEL

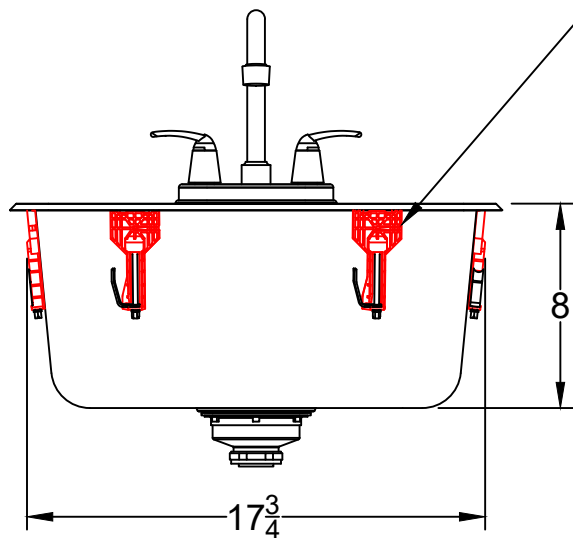


PERSPECTIVE VIEW

WITH INSTALLATION
CUT OUT DIMENSIONS

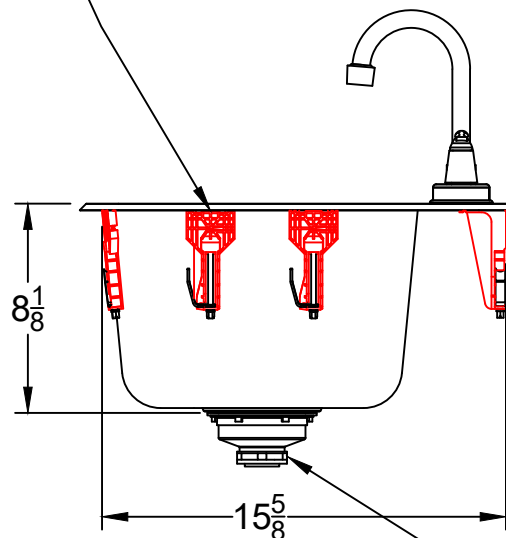


TOP VIEW



FRONT VIEW

6 SINK MOUNTS ARE SET IN LOCATION BY
PERMANATE MOUNTING PINS COMING FROM SINK
AND 2 MOUNT BASES SET IN PLACE FROM FACTORY



RIGHT SIDE VIEW

1 1/2
INCH DRAIN

NOTES:

1. ALL DIMENSIONS ARE IN INCH UNITS.
2. REFER TO PERSPECTIVE VIEW FOR INSTALLATION CUTOUT DIMENSIONS.
3. FAUCET IS REPLACEABLE USING COMMON INDUSTRY STANDARD EQUIVALENT OR SOURCED THROUGH BULL PER ITEM# 12390