



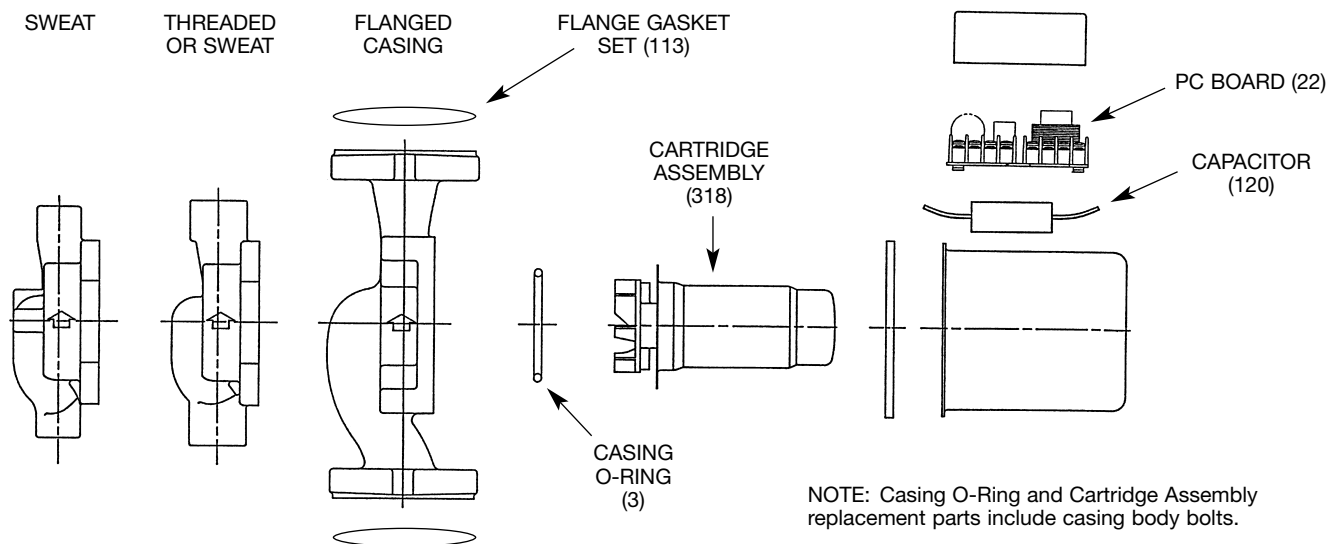
# Replacement Parts List

104-110

## 00 Circulators

SUPERSEDES: 104-110, March 20, 2012

EFFECTIVE: August 1, 2012



### 003-

PUMP MODEL NUMBER	CASING O-RING	FLANGE GASKET SET	CAPACITOR or PC BOARD	CARTRIDGE ASSY. COMPLETE	VALVE ASSY. TRANS/RELAY
003-B4	007-003RP	NA	007-002RP	003-001RP	
003-B4-1 (GRAINGER)	NA	NA	NA	003-002RP	NA
003-B4-1IFC	007-003RP	NA	007-002RP	003-003RP	006-044RP
003-B4-1PNP	007-003RP	NA	007-002RP	003-001RP	
003-B4-2 (GRAINGER)	NA	NA	NA	003-002RP	NA
003-B4-2IFC	007-003RP	NA	007-002RP	003-001RP	006-047RP
003-B4-2PNP	007-003RP	NA	007-002RP	003-001RP	
003-B4-3PNP	007-003RP	NA	007-002RP	003-001RP	006-047RP
003-B4-4PNP	007-003RP	NA	007-002RP	003-001RP	006-047RP
003-B4-IFC	007-003RP	NA	007-002RP	003-003RP	006-044RP
003-B4-PNP	007-003RP	NA	007-002RP	003-001RP	
003-B5Y	007-003RP	NA	007-002RP	003-001RP	
003-B6Y	007-003RP	NA	008-054RP	003-001RP	NA
003-BC4	007-003RP	NA	007-002RP	003-001RP	
003-BC4-1	007-003RP	NA	007-002RP	003-001RP	
003-BC4-10PNP	007-003RP	NA	007-002RP	003-001RP	006-047RP
003-BC4-11PNP	007-003RP	NA	007-002RP	003-001RP	006-047RP
003-BC4-1IFC	007-003RP	NA	007-002RP	003-001RP	006-047RP
003-BC4-1PNP	007-003RP	NA	007-002RP	003-001RP	
003-BC4-2 (GRAINGER)	NA	NA	NA	003-002RP	NA
003-BC4-2PNP	007-003RP	NA	007-002RP	003-001RP	006-047RP
003-BC4-3 (GRAINGER)	NA	NA	NA	003-002RP	NA
003-BC4-3PNP	007-003RP	NA	007-002RP	003-001RP	006-047RP
003-BC4-4PNP	007-003RP	NA	007-002RP	003-001RP	
003-BC4-5PNP	007-003RP	NA	007-002RP	003-001RP	
003-BC4-6PNP	007-003RP	NA	007-002RP	003-001RP	006-047RP
003-BC4-7PNP	007-003RP	NA	007-002RP	003-001RP	006-047RP
003-BC4-8PNP	007-003RP	NA	007-002RP	003-001RP	
003-BC4-9PNP	007-003RP	NA	007-002RP	003-001RP	
003-BC4-IFC	007-003RP	NA	007-002RP	003-001RP	006-047RP

**003- (Continued)**

<b>PUMP MODEL NUMBER</b>	<b>CASING O-RING</b>	<b>FLANGE GASKET SET</b>	<b>CAPACITOR or PC BOARD</b>	<b>CARTRIDGE ASSY. COMPLETE</b>	<b>VALVE ASSY. TRANS/RELAY</b>
003-BC4-PNP	007-003RP	NA	007-002RP	003-001RP	
003-BC5A	007-003RP	NA	007-002RP	003-001RP	
003-BC5A-IFC	007-003RP	NA	007-002RP	003-001RP	006-047RP
003-BC5Y	007-003RP	NA	007-002RP	003-001RP	
003-BC5Y-IFC	007-003RP	NA	007-002RP	003-001RP	006-047RP
003-BC6A	007-003RP	NA	008-054RP	003-001RP	NA
003-BC6A-IFC	007-003RP	NA	008-054RP	003-001RP	006-047RP
003-BC6Y	007-003RP	NA	008-054RP	003-001RP	NA
003-BC6Y-IFC	007-003RP	NA	008-054RP	003-001RP	006-047RP
003-BE4	007-003RP	NA	007-002RP	003-001RP	
003-BE4-1	007-003RP	NA	007-002RP	003-001RP	
003-BT4	007-003RP	NA	007-002RP	003-001RP	
003-BT4-1PNP	007-003RP	NA	007-002RP	003-001RP	
003-BT4-2PNP	007-003RP	NA	007-002RP	003-001RP	
003-BT4-PNP	007-003RP	NA	007-002RP	003-001RP	
003-BT4R	007-003RP	NA	007-002RP	003-001RP	
003-BT5Y	007-003RP	NA	007-002RP	003-001RP	
003-F4-IFC	007-003RP	007-007RP	007-002RP	003-007RP	006-047RP
003-IQB4	007-003RP	NA	NA	003-001RP	NA
003-IQBC4	007-003RP	NA	NA	003-001RP	NA
003-SC4-1	007-003RP	NA	007-002RP	003-001RP	NA
003-SC4-1IFC	007-003RP	NA	007-002RP	003-001RP	NA
003-SC4-2PNP	007-003RP	NA	007-002RP	003-001RP	NA
003-SC4-3PNP	007-003RP	NA	007-002RP	003-001RP	NA
003-SC4-4PNP	007-003RP	NA	007-002RP	003-001RP	0010-025RP
003-SC4-5PNP	007-003RP	NA	007-002RP	003-001RP	0010-025RP
003-SC4-IFC	007-003RP	NA	007-002RP	003-001RP	0010-025RP
003-ST4	007-003RP	NA	007-002RP	003-001RP	
003-ST4-1PNP	007-003RP	NA	007-002RP	003-001RP	
003-ST4-2PNP	007-003RP	NA	007-002RP	003-001RP	
003-ST4-PNP	007-003RP	NA	007-002RP	003-001RP	
003-ST5Y	007-003RP	NA	007-002RP	003-001RP	
003-ST6Y	007-003RP	NA	008-054RP	003-001RP	NA
003-VRB4	007-003RP	NA		003-001RP	
003-VRBC4	007-003RP	NA		003-001RP	
003-VRBC4-1IFC	007-003RP	NA		003-001RP	006-047RP
003-VRBC4-IFC	007-003RP	NA		003-001RP	006-047RP
003-VTBC4	007-003RP	NA	NA	003-001RP	NA
003-VTBC4-1	007-003RP	NA	NA	003-001RP	NA
003-ZB4	007-003RP	NA		003-001RP	
003-ZB4-1	007-003RP	NA		003-001RP	
003-ZBC4-1IFC	007-003RP	NA		003-001RP	006-047RP
003-ZBC4-2IFC	007-003RP	NA		003-001RP	006-047RP
003-ZBC4-3IFC	007-003RP	NA		003-001RP	006-047RP
003-ZBC4-IFC	007-003RP	NA		003-001RP	006-047RP
003-ZF4-1IFC	007-003RP	007-007RP		003-007RP	006-047RP
003-ZF4-IFC	007-003RP	007-007RP		003-007RP	006-047RP

## 005-

PUMP MODEL NUMBER	CASING O-RING	FLANGE GASKET SET	CAPACITOR or PC BOARD	CARTRIDGE ASSY. COMPLETE	VALVE ASSY. TRANS/RELAY
005-BF1	008-005RP	007-007RP	007-002RP	005-020RP	NA
005-BF1-2W	008-005RP	007-007RP	007-002RP	005-020RP	NA
005-BF1-2W (WEIL McLAIN)	008-005RP (COVER)	007-007RP		005-009RP THERMO	NA
005-BF1-JW	008-005RP	007-007RP	007-002RP	005-020RP	NA
005-BF1-W	008-005RP	007-007RP	007-002RP	005-020RP	NA
005-BF2	008-005RP	007-007RP	007-002RP	005-020RP	NA
005-BF2-1	008-005RP	007-007RP	007-002RP	005-020RP	NA
005-BF2-1 (WEIL McLAIN)	008-005RP (COVER)	007-007RP		005-009RP THERMO	NA
005-BF2-1IFC	008-005RP	007-007RP	007-002RP	005-020RP	0010-025RP
005-BF2-1JIFC	008-005RP	007-007RP	007-002RP	005-020RP	0010-025RP
005-BF2-2	008-005RP	007-007RP	007-002RP	005-020RP	NA
005-BF2-2 (GRAINGER)	NA	007-066RP	NA	006-042RP	NA
005-BF2-IFC	008-005RP	007-007RP	007-002RP	005-020RP	006-047RP
005-BF2-J	008-005RP	007-007RP	007-002RP	005-020RP	NA
005-BF3A	008-005RP	007-007RP	007-002RP	005-020RP	NA
005-BF3Y	008-005RP	007-007RP	007-002RP	005-020RP	NA
005-BF3Y-1	008-005RP	007-007RP	007-002RP	005-020RP	NA
005-BF3Y-1 (GRAINGER)	NA	007-066RP	NA	006-042RP	NA
005-F1	008-005RP	007-007RP	007-002RP	005-019RP	NA
005-F1-1	008-005RP	007-007RP	007-002RP	005-019RP	NA
005-F1-1W	008-005RP	007-007RP	007-002RP	005-019RP	NA
005-F2	008-005RP	007-007RP	007-002RP	005-019RP	NA
005-F2-1IFC	008-005RP	007-007RP	007-002RP	005-019RP	006-047RP
005-F2-2IFC	008-005RP	007-007RP	007-002RP	005-019RP	0010-025RP
005-F2-3	008-005RP	007-007RP	007-002RP	005-019RP	NA
005-F2-3 (GRAINGER)	NA	007-066RP	NA	005-028RP	NA
005-F2-3IFC	008-005RP	007-007RP	007-002RP	005-019RP	0010-025RP
005-F2-4	008-005RP	007-007RP	007-002RP	005-024RP	NA
005-F2-5	008-005RP	007-007RP	007-002RP	005-030RP	NA
005-F2-IFC	008-005RP	007-007RP	007-002RP	005-019RP	006-047RP
005-F3A	008-005RP	007-007RP	007-002RP	005-019RP	NA
005-F3A-1IFC	008-005RP	007-007RP	007-002RP	005-019RP	006-047RP
005-F3A-2IFC	008-005RP	007-007RP	007-002RP	005-019RP	0010-025RP
005-F3A-IFC	008-005RP	007-007RP	007-002RP	005-019RP	006-047RP
005-F3U	008-005RP	007-007RP	007-046RP	005-042RP	NA
005-F3Y	008-005RP	007-007RP	007-002RP	005-019RP	NA
005-F3Y-1	008-005RP	007-007RP	007-002RP	005-019RP	NA
005-F3Y-1 (GRAINGER)	NA	007-066RP	NA	005-028RP	NA
005-F4A	008-005RP	007-007RP	008-054RP	005-019RP	NA
005-F4A-IFC	008-005RP	007-007RP	008-054RP	005-019RP	0010-025RP
005-F4Y	008-005RP	007-007RP	008-054RP	005-019RP	NA
005-SF2	008-005RP	007-007RP	007-002RP	005-020RP	
005-SF2-1 (GRAINGER)	NA	007-066RP	NA	006-042RP	NA
005-SF2-1PNP	008-005RP	007-007RP	007-002RP	005-020RP	0010-025RP
005-SF2-IFC	008-005RP	007-007RP	007-002RP	005-020RP	0010-025RP
005-SF2-PNP	008-005RP	007-007RP	007-002RP	005-020RP	NA
005-SF3A	008-005RP	007-007RP	007-002RP	005-020RP	
005-SF3Y	008-005RP	007-007RP	007-002RP	005-020RP	
005-SF3Y-1 (GRAINGER)	NA	007-066RP	NA	006-042RP	NA
005-SF4A	008-005RP	007-007RP	008-054RP	005-020RP	NA
005-SF4Y	008-005RP	007-007RP	008-054RP	005-020RP	NA
005-T1	007-003RP	NA	007-002RP	005-019RP	NA
005-T1-1	007-003RP	NA	007-002RP	005-019RP	NA
005-VRBF2	008-005RP	007-007RP		005-020RP	
005-VRBF2-1IFC	008-005RP	007-007RP		005-020RP	0010-025RP
005-VRBF2-IFC	008-005RP	007-007RP		005-020RP	006-047RP
005-VRF2	008-005RP	007-007RP		005-019RP	
005-VRF2-1IFC	008-005RP	007-007RP		005-019RP	006-047RP
005-VRF2-2IFC	008-005RP	007-007RP		005-019RP	0010-025RP
005-VRF2-IFC	008-005RP	007-007RP		005-019RP	006-047RP
005-VRSF2	008-005RP	007-007RP		005-020RP	

**005- (Continued)**

<b>PUMP MODEL NUMBER</b>	<b>CASING O-RING</b>	<b>FLANGE GASKET SET</b>	<b>CAPACITOR or PC BOARD</b>	<b>CARTRIDGE ASSY. COMPLETE</b>	<b>VALVE ASSY. TRANS/RELAY</b>
005-VRSF2-IFC	008-005RP	007-007RP		005-020RP	0010-025RP
005-VSBF2	008-005RP	007-007RP	NA	005-020RP	NA
005-VSBF2-1IFC	008-005RP	007-007RP	NA	005-020RP	0010-025RP
005-VSBF2-IFC	008-005RP	007-007RP	007-002RP	005-020RP	006-047RP
005-VSF2	008-005RP	007-007RP	NA	005-019RP	NA
005-VSF2-1IFC	008-005RP	007-007RP	NA	005-019RP	006-047RP
005-VSF2-2IFC	008-005RP	007-007RP	NA	005-019RP	0010-025RP
005-VSF2-IFC	008-005RP	007-007RP	NA	005-019RP	006-047RP
005-VSSF2	008-005RP	007-007RP	NA	005-020RP	NA
005-VSSF2-IFC	008-005RP	007-007RP	NA	005-020RP	0010-025RP
005-ZBF2	008-005RP	007-007RP		005-020RP	
005-ZBF2-1	008-005RP	007-007RP		005-020RP	
005-ZBF2-1IFC	008-005RP	007-007RP		005-020RP	0010-025RP
005-ZBF2-2	008-005RP	007-007RP		005-020RP	
005-ZBF2-IFC	008-005RP	007-007RP		005-020RP	006-047RP
005-ZF2	008-005RP	007-007RP	007-002RP	005-019RP	
005-ZF2-1	008-005RP	007-007RP	007-002RP	005-019RP	
005-ZF2-1IFC	008-005RP	007-007RP		005-019RP	006-047RP
005-ZF2-2	008-005RP	007-007RP		005-019RP	
005-ZF2-2IFC	008-005RP	007-007RP		005-019RP	0010-025RP
005-ZF2-3	008-005RP	007-007RP		005-019RP	
005-ZF2-4	008-005RP	007-007RP		005-019RP	
005-ZF2-5	008-005RP	007-007RP		005-019RP	
005-ZF2-6	008-005RP	007-007RP		005-019RP	
005-ZF2-IFC	008-005RP	007-007RP		005-019RP	006-047RP
005-ZSF2	008-005RP	007-007RP		005-020RP	
005-ZSF2-IFC	008-005RP	007-007RP		005-020RP	0010-025RP

## 006-

PUMP MODEL NUMBER	CASING O-RING	FLANGE GASKET SET	CAPACITOR or PC BOARD	CARTRIDGE ASSY. COMPLETE	VALVE ASSY. TRANS/RELAY
006-B2	007-003RP	NA	007-002RP	006-027RP	
006-B2Y	007-003RP	NA	007-002RP	006-027RP	
006-B3	007-003RP	NA	007-002RP	005-020RP	
006-B3-1	007-003RP	NA	007-002RP	005-020RP	
006-B3-2	007-003RP	NA	007-002RP	005-020RP	
006-B3-W	007-003RP	NA	007-002RP	005-020RP	
006-B3Y	007-003RP	NA	007-002RP	005-020RP	
006-B4	007-003RP	NA	007-002RP	005-020RP	
006-B4-1	007-003RP	NA	007-002RP	005-020RP	
006-B4-10	007-003RP	NA	007-002RP	005-020RP	NA
006-B4-11	007-003RP	NA	007-002RP	006-040RP	NA
006-B4-12	NA	NA	NA	006-042RP	NA
006-B4-13	008-047RP	NA	007-002RP	005-020RP	NA
006-B4-14 (GRAINGER)	NA	NA	NA	006-042RP	NA
006-B4-15 (GRAINGER)	NA	NA	NA	006-042RP	NA
006-B4-1PNP	007-003RP	NA	007-002RP	005-020RP	
006-B4-2	007-003RP	NA	007-002RP	005-020RP	
006-B4-2PNP	007-003RP	NA	007-002RP	005-020RP	
006-B4-3	007-003RP	NA	007-002RP	005-020RP	
006-B4-3PNP	007-003RP	NA	007-002RP	005-020RP	NA
006-B4-4 (GRAINGER)	NA	NA	NA	006-042RP	NA
006-B4-5	007-003RP	NA	007-002RP	006-032RP	
006-B4-6	007-003RP	NA	007-002RP	005-020RP	NA
006-B4-7	008-005RP	NA	007-002RP	006-034RP	NA
006-B4-8	008-047RP	NA	007-002RP	006-035RP	NA
006-B4-9	007-003RP	NA	007-002RP	005-020RP	NA
006-B4-PNP	007-003RP	NA	007-002RP	005-020RP	NA
006-B4-S47	007-003RP	NA	007-002RP	005-020RP	NA
006-B4Y	007-003RP	NA	007-002RP	006-020RP	
006-B5A	007-003RP	NA	007-002RP	005-020RP	NA
006-B5A-2IFC	007-003RP	NA	007-002RP	005-020RP	006-044RP
006-B5A-3IFC	007-003RP	NA	007-002RP	005-020RP	006-044RP
006-B5A-4IFC	007-003RP	NA	007-002RP	005-020RP	006-044RP
006-B5A-5IFC	007-003RP	NA	007-002RP	005-020RP	006-044RP
006-B5A-IFC	007-003RP	NA	007-002RP	006-036RP	006-044RP
006-B5Y	007-003RP	NA	007-002RP	005-020RP	NA
006-B5Y-1	008-005RP	NA	007-002RP	006-034RP	NA
006-B5Y-2	007-003RP	NA	007-002RP	005-020RP	NA
006-B5Y-3	007-003RP	NA	007-002RP	005-020RP	NA
006-B5Y-7	007-003RP	NA	007-002RP	005-020RP	NA
006-B6-2IFC	007-003RP	NA	007-002RP	006-036RP	006-044RP
006-B6-3IFC	007-003RP	NA	007-002RP	006-036RP	006-044RP
006-B6-4IFC	007-003RP	NA	007-002RP	006-036RP	006-044RP
006-B6-5IFC	007-003RP	NA	007-002RP	005-020RP	006-044RP
006-B6-6IFC	007-003RP	NA	007-002RP	005-020RP	006-044RP
006-B6-7IFC	007-003RP	NA	007-002RP	005-020RP	006-044RP
006-B6-8IFC	007-003RP	NA	007-002RP	005-020RP	006-044RP
006-B6-IFC	007-003RP	NA	007-002RP	006-036RP	006-044RP
006-B6Y-1IFC	007-003RP	NA	007-002RP	006-036RP	006-044RP
006-B6Y-2IFC	007-003RP	NA	007-002RP	005-020RP	006-044RP
006-B6Y-3IFC	007-003RP	NA	007-002RP	005-020RP	006-044RP
006-B6Y-IFC	007-003RP	NA	007-002RP	006-036RP	006-044RP
006-B7-1PNP	007-003RP	NA	007-002RP	005-020RP	006-047RP
006-B7-IFC	007-003RP	NA	007-002RP	005-020RP	006-047RP
006-B7-PNP	007-003RP	NA	007-002RP	005-020RP	006-047RP
006-B8A	007-003RP	NA	008-054RP	005-020RP	NA
006-B8Y	007-003RP	NA	008-054RP	005-020RP	NA
006-BC2	007-003RP	NA	007-002RP	006-027RP	
006-BC2-W	007-003RP	NA	007-002RP	006-027RP	
006-BC2A-1	007-003RP	NA	007-002RP	006-027RP	
006-BC2Y	007-003RP	NA	007-002RP	006-027RP	

**006- (Continued)**

<b>PUMP MODEL NUMBER</b>	<b>CASING O-RING</b>	<b>FLANGE GASKET SET</b>	<b>CAPACITOR or PC BOARD</b>	<b>CARTRIDGE ASSY. COMPLETE</b>	<b>VALVE ASSY. TRANS/RELAY</b>
006-BC2Y-1	007-003RP	NA	007-002RP	006-027RP	
006-BC2Y-W	007-003RP	NA	007-002RP	006-027RP	
006-BC3	007-003RP	NA	007-002RP	005-020RP	
006-BC3-1	007-003RP	NA	007-002RP	005-020RP	
006-BC3-1W	007-003RP	NA	007-002RP	005-020RP	
006-BC3-3	007-003RP	NA	007-002RP	005-020RP	
006-BC3-W	007-003RP	NA	007-002RP	005-020RP	
006-BC3Y	007-003RP	NA	007-002RP	005-020RP	
006-BC3Y-1	007-003RP	NA	007-002RP	005-020RP	
006-BC3Y-1W	007-003RP	NA	007-002RP	005-020RP	
006-BC3Y-2W	007-003RP	NA	007-002RP	005-020RP	
006-BC3Y-5W	007-003RP	NA	007-002RP	005-020RP	
006-BC3Y-6	007-003RP	NA	007-002RP	005-020RP	
006-BC3Y-W	007-003RP	NA	007-002RP	005-020RP	
006-BC4	007-003RP	NA	007-002RP	005-020RP	
006-BC4-1	007-003RP	NA	007-002RP	005-020RP	
006-BC4-1PNP	007-003RP	NA	007-002RP	005-020RP	NA
006-BC4-2PNP	007-003RP	NA	007-002RP	005-020RP	
006-BC4-3	007-003RP	NA	007-002RP	005-020RP	
006-BC4-3PNP	007-003RP	NA	007-002RP	005-020RP	
006-BC4-4	007-003RP	NA	007-002RP	005-020RP	
006-BC4-4PNP	007-003RP	NA	007-002RP	005-020RP	
006-BC4-5	007-003RP	NA	007-002RP	005-020RP	NA
006-BC4-5PNP	007-003RP	NA	007-002RP	005-020RP	
006-BC4-6	NA	NA	NA	006-042RP	NA
006-BC4-6PNP	007-003RP	NA	007-002RP	005-020RP	NA
006-BC4-PNP	007-003RP	NA	007-002RP	005-020RP	NA
006-BC4Y	007-003RP	NA	007-002RP	005-020RP	
006-BC4Y-1	007-003RP	NA	007-002RP	005-020RP	
006-BC4Y-2	007-003RP	NA	007-002RP	005-020RP	
006-BC4Y-3	007-003RP	NA	007-002RP	006-020RP	
006-BC5A	007-003RP	NA	007-002RP	005-020RP	NA
006-BC5A-1IFC	007-003RP	NA	007-002RP	005-020RP	006-047RP
006-BC5U	007-003RP	NA	007-046RP	005-020RP	NA
006-BC5U-1	007-003RP	NA	007-046RP	005-020RP	NA
006-BC5Y	007-003RP	NA	007-002RP	005-020RP	NA
006-BC5Y-1	007-003RP	NA	007-002RP	005-020RP	NA
006-BC5Y-10 (GRAINGER)	NA	NA	NA	006-042RP	NA
006-BC5Y-11	007-003RP	NA	007-002RP	005-020RP	NA
006-BC5Y-2	007-003RP	NA	007-002RP	005-020RP	NA
006-BC5Y-3	007-003RP	NA	007-002RP	005-020RP	NA
006-BC5Y-4 (GRAINGER)	NA	NA	NA	006-042RP	NA
006-BC5Y-5	007-003RP	NA	007-002RP	005-020RP	NA
006-BC5Y-6	007-003RP	NA	007-002RP	005-020RP	NA
006-BC5Y-8	008-047RP	NA	007-002RP	006-056RP	NA
006-BC5Y-9	007-003RP	NA	007-002RP	005-020RP	NA
006-BC7-10IFC	007-003RP	NA	007-002RP	005-020RP	006-047RP
006-BC7-10PNP	007-003RP	NA	007-002RP	005-020RP	006-047RP
006-BC7-11IFC	007-003RP	NA	007-002RP	005-020RP	006-047RP
006-BC7-12IFC	007-003RP	NA	007-002RP	005-020RP	006-047RP
006-BC7-13IFC	007-003RP	NA	007-002RP	005-020RP	006-047RP
006-BC7-14IFC (GRAINGER)	NA	NA	NA	005-020RP	NA
006-BC7-1IFC	007-003RP	NA	007-002RP	005-020RP	006-047RP
006-BC7-1PNP	007-003RP	NA	007-002RP	005-020RP	006-047RP
006-BC7-2IFC	007-003RP	NA	007-002RP	005-020RP	006-047RP
006-BC7-2PNP	007-003RP	NA	007-002RP	005-020RP	006-047RP
006-BC7-3IFC	007-003RP	NA	007-002RP	005-020RP	006-047RP
006-BC7-3PNP	007-003RP	NA	007-002RP	005-020RP	006-047RP

**006- (Continued)**

<b>PUMP MODEL NUMBER</b>	<b>CASING O-RING</b>	<b>FLANGE GASKET SET</b>	<b>CAPACITOR or PC BOARD</b>	<b>CARTRIDGE ASSY. COMPLETE</b>	<b>VALVE ASSY. TRANS/RELAY</b>
006-BC7-4IFC	007-003RP	NA	007-002RP	005-020RP	006-047RP
006-BC7-4PNP	007-003RP	NA	007-002RP	005-020RP	006-047RP
006-BC7-5IFC	007-003RP	NA	007-002RP	005-020RP	006-047RP
006-BC7-5PNP	007-003RP	NA	007-002RP	005-020RP	006-047RP
006-BC7-6IFC	007-003RP	NA	007-002RP	005-020RP	006-047RP
006-BC7-6PNP	007-003RP	NA	007-002RP	005-020RP	006-047RP
006-BC7-7IFC	007-003RP	NA	007-002RP	005-020RP	006-047RP
006-BC7-7PNP	007-003RP	NA	007-002RP	005-020RP	006-047RP
006-BC7-8IFC	007-003RP	NA	007-002RP	005-020RP	006-051RP
006-BC7-8PNP	007-003RP	NA	007-002RP	005-020RP	006-047RP
006-BC7-9IFC	NA	NA	NA	005-020RP	NA
006-BC7-9PNP	007-003RP	NA	007-002RP	005-020RP	006-047RP
006-BC7-IFC	007-003RP	NA	007-002RP	005-020RP	006-047RP
006-BC7-PNP	007-003RP	NA	007-002RP	005-020RP	006-047RP
006-BC7A-IFC	007-003RP	NA	007-002RP	005-020RP	006-047RP
006-BC7Y-15IFC	007-003RP	NA	007-002RP	005-020RP	006-047RP
006-BC7Y-16IFC	007-003RP	NA	007-002RP	005-020RP	006-047RP
006-BC7Y-1IFC	007-003RP	NA	007-002RP	005-020RP	006-047RP
006-BC7Y-2IFC	007-003RP	NA	007-002RP	005-020RP	006-047RP
006-BC7Y-3IFC	007-003RP	NA	007-002RP	005-020RP	006-047RP
006-BC7Y-IFC	007-003RP	NA	007-002RP	005-020RP	006-047RP
006-BC8A	007-003RP	NA	008-054RP	005-020RP	NA
006-BC8A-IFC	007-003RP	NA	008-054RP	005-020RP	006-047RP
006-BC8Y	007-003RP	NA	008-054RP	005-020RP	NA
006-BC8Y-1	007-003RP	NA	008-054RP	005-020RP	NA
006-BC8Y-1IFC	007-003RP	NA	008-054RP	005-020RP	006-047RP
006-BC8Y-2	007-003RP	NA	008-054RP	005-020RP	NA
006-BC8Y-2IFC	007-003RP	NA	008-054RP	005-020RP	006-047RP
006-BC8Y-3	007-003RP	NA	008-054RP	005-020RP	NA
006-BC8Y-4	008-047RP	NA	008-054RP	006-056RP	NA
006-BC8Y-5	007-003RP	NA	008-054RP	005-020RP	NA
006-BC8Y-IFC	007-003RP	NA	008-054RP	005-020RP	006-047RP
006-BE4-1	007-003RP	NA	007-002RP	005-020RP	NA
006-BE4-2	007-003RP	NA	007-002RP	006-040RP	NA
006-BE4-3	007-003RP	NA	007-002RP	005-020RP	NA
006-BE4-4	007-003RP	NA	007-002RP	005-020RP	NA
006-BE4-5	007-003RP	NA	007-002RP	005-020RP	NA
006-BT2	007-003RP	NA	007-002RP	006-027RP	
006-BT2A	007-003RP	NA	007-002RP	006-027RP	
006-BT2Y	007-003RP	NA	007-002RP	006-027RP	
006-BT3	007-003RP	NA	007-002RP	005-020RP	
006-BT3-1W	007-003RP	NA	007-002RP	005-020RP	
006-BT3Y	007-003RP	NA	007-002RP	005-020RP	
006-BT4	007-003RP	NA	007-002RP	005-020RP	
006-BT4-1	NA	NA	NA	006-042RP	NA
006-BT4-1PNP	007-003RP	NA	007-002RP	005-020RP	
006-BT4-2	007-003RP	NA	007-002RP	006-032RP	NA
006-BT4-2PNP	007-003RP	NA	007-002RP	005-020RP	
006-BT4-3	007-003RP	NA	007-002RP	005-020RP	NA
006-BT4-3PNP	007-003RP	NA	007-002RP	005-020RP	
006-BT4-PNP	007-003RP	NA	007-002RP	005-020RP	NA
006-BT4R	007-003RP	NA	007-002RP	005-020RP	NA
006-BT4Y	007-003RP	NA	007-002RP	005-020RP	
006-BT5A	007-003RP	NA	007-002RP	005-020RP	NA
006-BT5A-1	007-003RP	NA	007-002RP	005-020RP	NA
006-BT5Y	007-003RP	NA	007-002RP	005-020RP	NA
006-BT5Y-1	NA	NA	NA	006-042RP	NA
006-BT5Y-2	007-003RP	NA	007-002RP	005-020RP	
006-BT7-IFC	007-003RP	NA	007-002RP	005-020RP	006-051RP
006-BT7A	007-003RP	NA	007-002RP	005-020RP	NA
006-BT7A-1IFC	007-003RP	NA	007-002RP	005-020RP	006-054RP

**006- (Continued)**

<b>PUMP MODEL NUMBER</b>	<b>CASING O-RING</b>	<b>FLANGE GASKET SET</b>	<b>CAPACITOR or PC BOARD</b>	<b>CARTRIDGE ASSY. COMPLETE</b>	<b>VALVE ASSY. TRANS/RELAY</b>
006-BT7A-IFC	007-003RP	NA	007-002RP	005-020RP	006-051RP
006-DM	007-003RP	NA	007-002RP	005-020RP	
006-F4	007-003RP	007-007RP	007-002RP	005-019RP	
006-F4-1	007-003RP	007-007RP	007-002RP	005-019RP	
006-F5Y	007-003RP	007-007RP	007-002RP	005-019RP	
006-F7-IFC	007-003RP	007-007RP	007-002RP	005-019RP	006-047RP
006-F8Y-IFC	007-003RP	007-007RP	008-054RP	005-019RP	006-047RP
006-IQB4	007-003RP	NA	NA	005-020RP	NA
006-IQBC4	007-003RP	NA	NA	005-020RP	NA
006-SC4-1	007-003RP	NA	007-002RP	005-020RP	NA
006-SC4-1PNP	007-003RP	NA	007-002RP	005-020RP	NA
006-SC4-2PNP	007-003RP	NA	007-002RP	005-020RP	NA
006-SC4-3PNP	007-003RP	NA	007-002RP	005-020RP	NA
006-SC7-1PNP	007-003RP	NA	007-002RP	005-020RP	0010-025RP
006-SC7-IFC	007-003RP	NA	007-002RP	005-020RP	0010-025RP
006-SC7-PNP	007-003RP	NA	007-002RP	005-020RP	0010-025RP
006-ST4	007-003RP	NA	007-002RP	005-020RP	
006-ST4-1 (GRAINGER)	NA	007-066RP	NA	006-042RP	NA
006-ST4-1PNP	007-003RP	NA	007-002RP	005-020RP	
006-ST4-2PNP	007-003RP	NA	007-002RP	005-020RP	
006-ST4-3	007-003RP	NA	007-002RP	005-020RP	
006-ST4-3PNP	007-003RP	NA	007-002RP	005-020RP	NA
006-ST4-PNP	007-003RP	NA	007-002RP	005-020RP	
006-ST5A	007-003RP	NA	007-002RP	005-020RP	NA
006-ST5Y	007-003RP	NA	007-002RP	005-020RP	
006-ST5Y-1	NA	NA	NA	006-042RP	NA
006-ST5Y-2	007-003RP	NA	007-002RP	005-020RP	
006-ST7-IFC	007-003RP	NA	007-002RP	005-020RP	006-051RP
006-ST8A	007-003RP	NA	008-054RP	005-020RP	NA
006-ST8Y	007-003RP	NA	008-054RP	005-020RP	NA
006-ST8Y-1	007-003RP	NA	008-054RP	005-020RP	NA
006-VRB4	007-003RP	NA		005-020RP	
006-VRBC4	007-003RP	NA		005-020RP	
006-VRBC7-1IFC	007-003RP	NA		005-020RP	006-047RP
006-VRBC7-IFC	007-003RP	NA		005-020RP	006-047RP
006-VRF4	007-003RP	007-007RP		005-019RP	
006-VRF7-IFC	007-003RP	007-007RP		005-019RP	006-047RP
006-VRST4	007-003RP	NA	NA	005-020RP	NA
006-VSBC7-1IFC	007-003RP	NA		005-020RP	006-047RP
006-VSBC7-IFC	007-003RP	NA		005-020RP	006-047RP
006-VTB4	007-003RP	NA	NA	005-020RP	NA
006-VTBC4	007-003RP	NA	NA	005-020RP	NA
006-VTBC4-1	008-047RP	NA	NA	005-020RP	NA
006-VTF4	007-003RP	007-007RP	NA	005-019RP	NA
006-VVST4	007-003RP	NA	NA	005-020RP	NA
006-ZB4	007-003RP	NA	007-002RP	005-020RP	
006-ZB4-1	007-003RP	NA	007-002RP	005-020RP	
006-ZB4-2	007-003RP	NA		005-020RP	
006-ZB4-3	007-003RP	NA		005-020RP	
006-ZB4-4	007-003RP	NA		005-020RP	
006-ZB4-5	007-003RP	NA		005-020RP	
006-ZB4-6	007-003RP	NA		005-020RP	
006-ZBC7-1IFC	007-003RP	NA		005-020RP	006-047RP
006-ZBC7-2IFC	007-003RP	NA		005-020RP	006-047RP
006-ZBC7-3IFC	007-003RP	NA		005-020RP	006-047RP
006-ZBC7-IFC	007-003RP	NA		005-020RP	006-047RP
006-ZF4	007-003RP	007-007RP		005-019RP	
006-ZF4-1	007-003RP	007-007RP		005-019RP	
006-ZF7-1IFC	007-003RP	007-007RP		005-019RP	006-047RP
006-ZF7-IFC	007-003RP	007-007RP		005-019RP	006-047RP



**007-**

<b>PUMP MODEL NUMBER</b>	<b>CASING O-RING</b>	<b>FLANGE GASKET SET</b>	<b>CAPACITOR or PC BOARD</b>	<b>CARTRIDGE ASSY. COMPLETE</b>	<b>VALVE ASSY. TRANS/RELAY</b>
007-1	007-003RP		007-002RP	NA	
007-2	007-003RP		007-002RP	007-042RP	
007-BEF7-J	008-005RP	007-007RP		007-064RP	
007-BF1A	008-005RP	007-007RP	007-040RP	007-045RP	
007-BF1A-J	008-005RP	007-007RP	007-040RP	007-045RP	
007-BF1A-JA	008-005RP	007-007RP	007-040RP	007-045RP	
007-BF1A-JC	008-005RP	007-007RP	007-040RP	007-045RP	
007-BF3	008-005RP	007-007RP	007-002RP	007-045RP	
007-BF3-1W	008-005RP	007-007RP	007-002RP	007-045RP	
007-BF3-2JW	008-005RP	007-007RP	007-002RP	007-045RP	
007-BF3-W	008-005RP	007-007RP	007-002RP	007-045RP	
007-BF3Y	008-005RP	007-007RP	007-002RP	007-045RP	
007-BF4	008-005RP	007-007RP	007-002RP	007-045RP	
007-BF4-1	008-005RP	007-007RP	007-002RP	007-045RP	
007-BF4-2J	008-005RP	007-007RP	007-002RP	007-045RP	
007-BF4-4J	008-005RP	007-007RP	007-002RP	007-045RP	
007-BF4-J	008-005RP	007-007RP	007-002RP	007-045RP	
007-BF5	008-005RP	007-007RP	007-002RP	007-045RP	NA
007-BF5-1	008-005RP	007-007RP	007-002RP	007-045RP	NA
007-BF5-1IFC	008-005RP	007-007RP	007-002RP	007-045RP	0010-025RP
007-BF5-2IFC (GRAINGER)	NA	007-066RP	NA	007-047RP	NA
007-BF5-3 (GRAINGER)	NA	007-066RP	NA	007-047RP	
007-BF5-3IFC (GRAINGER)	NA	007-066RP	NA	007-047RP	NA
007-BF5-4J	008-005RP	007-007RP	007-002RP	007-045RP	NA
007-BF5-4JIFC	008-005RP	007-007RP	007-002RP	007-045RP	0010-025RP
007-BF5-7J	008-005RP	007-007RP	007-002RP	007-045RP	NA
007-BF5-IFC	008-005RP	007-007RP	007-002RP	007-045RP	006-047RP
007-BF5-J	008-005RP	007-007RP	007-002RP	007-045RP	NA
007-BF5-JIFC	008-005RP	007-007RP	007-002RP	007-045RP	0010-025RP
007-BF5-JW	008-005RP	007-007RP	007-002RP	007-045RP	NA
007-BF6A	008-005RP	007-007RP	007-046RP	007-045RP	NA
007-BF6A-1	008-005RP	007-007RP	007-046RP	007-045RP	NA
007-BF6A-JA	008-005RP	007-007RP	007-046RP	007-045RP	NA
007-BF6A-JC	008-005RP	007-007RP	007-046RP	007-045RP	NA
007-BF6Y	008-005RP	007-007RP	007-046RP	007-045RP	NA
007-BF6Y-1J (GRAINGER)	NA	007-007RP	NA	007-047RP	NA
007-BF6Y-J	008-005RP	007-007RP	007-046RP	007-045RP	NA
007-BF7-J	008-005RP	007-007RP	007-065RP	007-064RP	NA
007-F1	007-003RP	007-007RP	007-002RP	NA	
007-F1A	008-005RP	007-007RP	007-040RP	007-042RP	
007-F2	007-003RP	007-007RP	007-002RP	007-042RP	
007-F3	008-005RP	007-007RP	007-002RP	007-042RP	
007-F3-1	008-005RP	007-007RP	007-002RP	007-042RP	
007-F3-1W	008-005RP	007-007RP	007-002RP	007-042RP	
007-F3-3W	008-005RP	007-007RP	007-002RP	007-042RP	
007-F3-4	008-005RP	007-007RP	007-002RP	007-045RP	
007-F3-W	008-005RP	007-007RP	007-002RP	007-045RP	
007-F3A	008-005RP	007-007RP	007-002RP	007-042RP	
007-F3R	008-005RP	007-007RP	007-002RP	007-042RP	
007-F4	008-005RP	007-007RP	007-002RP	007-042RP	
007-F4-2	008-005RP	007-007RP	007-002RP	007-042RP	
007-F4-3	008-005RP	007-007RP	007-002RP	007-042RP	
007-F4-7	008-005RP	007-007RP	007-040RP	007-042RP	

**007- (Continued)**

<b>PUMP MODEL NUMBER</b>	<b>CASING O-RING</b>	<b>FLANGE GASKET SET</b>	<b>CAPACITOR or PC BOARD</b>	<b>CARTRIDGE ASSY. COMPLETE</b>	<b>VALVE ASSY. TRANS/RELAY</b>
007-F4-8	008-005RP	007-007RP	007-002RP	007-042RP	
007-F4Y	008-005RP	007-007RP	007-002RP	007-041RP	
007-F5	008-005RP	007-007RP	007-002RP	007-042RP	NA
007-F5-10	008-005RP	007-007RP	007-046RP	007-042RP	NA
007-F5-10IFC	008-005RP	007-007RP	007-002RP	007-042RP	0010-025RP
007-F5-11IFC	008-005RP	007-007RP	007-002RP	007-042RP	0010-025RP
007-F5-12	008-005RP	007-007RP	007-002RP	007-042RP	NA
007-F5-12IFC	008-008RP	007-007RP	007-002RP	007-042RP	0010-025RP
007-F5-13	008-047RP	007-054RP	007-002RP	007-056RP	NA
007-F5-13IFC	008-008RP	007-007RP	007-002RP	007-042RP	0010-025RP
007-F5-14	008-005RP	007-007RP	007-002RP	007-042RP	NA
007-F5-15	008-005RP	007-007RP	007-002RP	007-042RP	NA
007-F5-11FC	008-005RP	007-007RP	007-002RP	007-042RP	006-047RP
007-F5-2IFC (GRAINGER)	NA	007-066RP	NA	007-048RP	NA
007-F5-3IFC	008-005RP	007-007RP	007-002RP	007-042RP	006-047RP
007-F5-4IFC (GRAINGER)	NA	007-066RP	NA	007-048RP	NA
007-F5-5	008-005RP	007-007RP	007-002RP	007-042RP	NA
007-F5-5IFC	008-005RP	007-007RP	007-002RP	007-042RP	006-047RP
007-F5-6IFC	008-005RP	007-007RP	007-002RP	007-042RP	006-047RP
007-F5-7IFC	008-005RP	007-007RP	007-002RP	007-042RP	0010-025RP
007-F5-8	008-005RP	007-007RP	007-002RP	007-042RP	NA
007-F5-8IFC	008-005RP	007-007RP	007-002RP	007-042RP	0010-025RP
007-F5-9 (GRAINGER)	NA	007-066RP	NA	007-048RP	
007-F5-9IFC (GRAINGER)	NA	007-066RP	NA	007-048RP	NA
007-F5-IFC	008-005RP	007-007RP	007-002RP	007-042RP	006-047RP
007-F6A	008-005RP	007-007RP	007-046RP	007-042RP	NA
007-F6U	008-005RP	007-007RP	008-054RP	007-061RP	NA
007-F6Y	008-005RP	007-007RP	007-046RP	007-042RP	NA
007-F6Y-1	008-005RP	007-007RP	007-046RP	007-042RP	NA
007-F6Y-IFC	008-005RP	007-007RP	007-046RP	007-042RP	0010-025RP
007-F7	008-005RP	007-007RP	007-065RP	007-063RP	NA
007-F7-1	008-005RP	007-007RP	007-065RP	007-063RP	NA
007-F7-11FC	008-005RP	007-007RP	007-065RP	007-063RP	0010-025RP
007-F7-IFC	008-005RP	007-007RP	007-065RP	007-063RP	0010-025RP
007-MSF1-11FC	008-005RP	007-007RP	007-062RP	007-063RP	0010-025RP
007-MSF1-IFC	008-005RP	007-007RP	007-062RP	007-063RP	0010-025RP
007-S22	NA		NA	007-041RP	
007-S23	NA		NA	007-041RP	
007-SF5	008-005RP	007-007RP	007-002RP	007-045RP	NA
007-SF5-1	008-005RP	007-007RP	007-002RP	007-045RP	NA
007-SF5-11FC (GRAINGER)	NA	007-066RP	NA	007-047RP	NA
007-SF5-2 (GRAINGER)	NA	007-066RP	NA	007-047RP	
007-SF5-3		007-007RP	007-002RP	007-045RP	NA
007-SF5-IFC	008-005RP	007-007RP	007-002RP	007-045RP	0010-025RP
007-SF6A	008-005RP	007-007RP	007-046RP	007-045RP	NA
007-SF6U	008-005RP	007-007RP	008-054RP	007-061RP	NA
007-SF6Y	008-005RP	007-007RP	007-046RP	007-045RP	NA
007-VDTF5	008-005RP	007-007RP	NA	007-042RP	NA
007-VDTF5-1	008-005RP	007-007RP	NA	007-042RP	NA
007-VRBF5	008-005RP	007-007RP		007-045RP	
007-VRBF5-11FC	008-005RP	007-007RP		007-045RP	0010-025RP
007-VRBF5-IFC	008-005RP	007-007RP		007-045RP	006-047RP
007-VRF5	008-005RP	007-007RP		007-042RP	
007-VRF5-11FC	008-055RP	007-007RP		007-042RP	006-047RP
007-VRF5-21FC	008-055RP	007-007RP		007-042RP	0010-025RP
007-VRF5-IFC	008-005RP	007-007RP		007-042RP	006-047RP
007-VRSF5	008-005RP	007-007RP		007-045RP	

**007- (Continued)**

<b>PUMP MODEL NUMBER</b>	<b>CASING O-RING</b>	<b>FLANGE GASKET SET</b>	<b>CAPACITOR or PC BOARD</b>	<b>CARTRIDGE ASSY. COMPLETE</b>	<b>VALVE ASSY. TRANS/RELAY</b>
007-VRSF5-IFC	008-005RP	007-007RP		007-045RP	0010-025RP
007-VSF5-3IFC	008-055RP	007-007RP		007-042RP	0010-025RP
007-ZBF5	008-005RP	007-007RP		007-045RP	
007-ZBF5-1	008-005RP	007-007RP		007-045RP	
007-ZBF5-1IFC	008-005RP	007-007RP		007-045RP	0010-025RP
007-ZBF5-2	008-005RP	007-007RP		007-045RP	
007-ZBF5-IFC	008-005RP	007-007RP		007-045RP	006-047RP
007-ZF4	008-005RP	007-007RP	007-002RP	007-042RP	
007-ZF4-1	008-005RP	007-007RP	007-002RP	007-042RP	
007-ZF4-2	008-005RP	007-007RP		007-042RP	
007-ZF4-3	008-005RP	007-007RP		007-042RP	
007-ZF5-10	008-005RP	007-007RP		007-042RP	
007-ZF5-1IFC	008-005RP	007-007RP	NA	007-042RP	006-047RP
007-ZF5-2IFC	008-005RP	007-007RP	NA	007-042RP	006-047RP
007-ZF5-3IFC	008-005RP	007-007RP	NA	007-042RP	0010-025RP
007-ZF5-4IFC	008-005RP	007-007RP	NA	007-042RP	0010-025RP
007-ZF5-5	008-005RP	007-007RP		007-042RP	
007-ZF5-5IFC	008-005RP	007-007RP	NA	007-042RP	0010-025RP
007-ZF5-6	008-005RP	007-007RP		007-042RP	
007-ZF5-6IFC	008-005RP	007-007RP	NA	007-042RP	0010-025RP
007-ZF5-7	008-005RP	007-007RP		007-042RP	
007-ZF5-8	008-005RP	007-007RP		007-042RP	NA
007-ZF5-9	008-005RP	007-007RP		007-042RP	
007-ZF5-IFC	008-005RP	007-007RP	NA	007-042RP	006-047RP
007-ZSF5	008-005RP	007-007RP	NA	007-045RP	
007-ZSF5-IFC	008-005RP	007-007RP		007-045RP	0010-025RP

008-

PUMP MODEL NUMBER	CASING O-RING	FLANGE GASKET SET	CAPACITOR or PC BOARD	CARTRIDGE ASSY. COMPLETE	VALVE ASSY. TRANS/RELAY
008-BC2	008-005RP	NA	007-002RP	008-045RP	
008-BC27-W	008-005RP	NA	007-002RP	008-045RP	
008-BC2Y	008-005RP	NA	007-002RP	008-045RP	
008-BC2Y-2	008-005RP	NA	007-002RP	008-045RP	
008-BC2Y-5W	008-005RP	NA	007-002RP	008-045RP	
008-BC2Y-W	008-005RP	NA	007-002RP	008-045RP	
008-BC3	008-005RP	NA	007-002RP	NA	
008-BC3-1W	008-005RP	NA	007-002RP	NA	
008-BC3-2	008-005RP	NA	007-002RP	NA	
008-BC3-2W	008-005RP	NA	007-002RP	NA	
008-BC3Y-1W	008-005RP	NA	007-002RP	NA	
008-BC5	008-005RP	NA	007-002RP	008-045RP	
008-BC5-1	008-005RP	NA	007-002RP	008-045RP	
008-BC5-3	008-005RP	007-007RP	007-002RP	008-045RP	
008-BC5Y	008-005RP	NA	007-002RP	008-045RP	
008-BC5Y-1	008-005RP	007-007RP	007-002RP	008-045RP	
008-BC6	008-005RP	NA	007-002RP	008-045RP	NA
008-BC6-1	008-005RP	NA	007-002RP	008-045RP	NA
008-BC6-1IFC	008-005RP	NA	007-002RP	008-045RP	006-047RP
008-BC6-2	008-005RP	NA	007-002RP	008-045RP	NA
008-BC6-2IFC	008-005RP	NA	007-002RP	008-045RP	006-051RP
008-BC6-3 (GRAINGER)	NA	NA	NA	008-048RP	
008-BC6-3IFC	008-005RP	NA	007-002RP	008-045RP	006-047RP
008-BC6-4	008-005RP	NA	007-002RP	008-045RP	
008-BC6-4IFC	008-005RP	NA	007-002RP	008-045RP	006-047RP
008-BC6-5 (GRAINGER)	NA	NA	NA	008-048RP	
008-BC6-IFC	008-005RP	NA	007-002RP	008-045RP	006-047RP
008-BC7U	007-003RP	NA	008-054RP	008-058RP	NA
008-BC7Y	008-005RP	NA	007-046RP	008-045RP	NA
008-BC7Y-1	008-005RP	NA	007-046RP	008-045RP	NA
008-BC7Y-2	008-005RP	NA	007-046RP	008-045RP	NA
008-BF2	008-005RP	007-007RP	007-002RP	008-045RP	
008-BF3	008-005RP	007-007RP	007-002RP	008-045RP	
008-BF3-W	008-005RP	007-007RP	007-002RP	008-045RP	
008-BF3A	008-005RP	007-007RP	007-002RP	008-045RP	
008-BF3Y	008-005RP	007-007RP	007-002RP	008-045RP	
008-BF5	008-005RP	007-007RP	007-002RP	008-045RP	
008-BF5-J	008-005RP	007-007RP	007-002RP	008-045RP	
008-BF6	008-005RP	007-007RP	007-002RP	008-045RP	NA
008-BF6-1 (GRAINGER)	NA	007-066RP	NA	008-048RP	NA
008-BF6-IFC	008-005RP	007-007RP	007-002RP	008-045RP	006-047RP
008-BF6-JIFC	008-005RP	007-007RP	007-002RP	008-045RP	006-047RP
008-BF6R	008-005RP	007-007RP	007-002RP	008-045RP	NA
008-BF7A	008-005RP	007-007RP	007-046RP	008-045RP	NA
008-BF7V-J	008-005RP	007-007RP	007-046RP	008-045RP	NA
008-BF7Y	008-005RP	007-007RP	007-046RP	008-045RP	NA
008-BF7Y-1 (GRAINGER)	NA	007-066RP	NA	008-048RP	NA
008-BF7Y-IFC	008-005RP	007-007RP	007-046RP	008-045RP	006-047RP
008-BF7Y-J	008-005RP	007-007RP	007-046RP	008-045RP	NA
008-BT6-1IFC	008-005RP	NA	007-002RP	008-045RP	006-051RP
008-BT6-2IFC	008-005RP	NA	007-002RP	008-045RP	006-051RP
008-BT6-IFC	008-005RP	NA	007-002RP	008-045RP	006-051RP
008-BT7-J	008-005RP	NA	007-002RP	008-046RP	NA
008-BT7A	008-005RP	NA	007-002RP	008-045RP	NA
008-BT7A-1IFC	008-005RP	NA	007-002RP	008-045RP	006-054RP
008-BT7A-IFC	008-005RP	NA	007-002RP	008-045RP	006-051RP
008-BT8V	NA	NA	NA	008-046RP	
008-DM	008-005RP	NA	007-002RP	008-045RP	006-051RP
008-F2	008-005RP	007-007RP	007-002RP	008-044RP	

**008- (Continued)**

<b>PUMP MODEL NUMBER</b>	<b>CASING O-RING</b>	<b>FLANGE GASKET SET</b>	<b>CAPACITOR or PC BOARD</b>	<b>CARTRIDGE ASSY. COMPLETE</b>	<b>VALVE ASSY. TRANS/RELAY</b>
008-F3	008-005RP	007-007RP	007-002RP	008-044RP	
008-F3A	008-005RP	007-007RP	007-002RP	008-044RP	
008-F3Y	008-005RP	007-007RP	007-002RP	008-044RP	
008-F4-1	008-005RP	NA	007-002RP	NA	
008-F5	008-005RP	007-007RP	007-002RP	008-044RP	
008-F5-1	008-005RP	007-007RP	007-002RP	008-044RP	
008-F6	008-005RP	007-007RP	007-002RP	008-044RP	NA
008-F6-1 (GRAINGER)	NA	007-066RP	NA	008-049RP	
008-F6-1IFC	008-005RP	007-007RP	007-002RP	008-044RP	006-047RP
008-F6-2	008-047RP	007-054RP	007-002RP	008-044RP	NA
008-F6-2IFC	008-005RP	007-007RP	007-002RP	008-044RP	006-047RP
008-F6-3	008-005RP	007-007RP	007-002RP	008-044RP	NA
008-F6-IFC	008-005RP	007-007RP	007-002RP	008-044RP	006-047RP
008-F7U	008-005RP	007-007RP	008-054RP	008-057RP	NA
008-F7Y	008-005RP	007-007RP	007-046RP	008-044RP	NA
008-F7Y-1	008-005RP	007-007RP	007-046RP	008-044RP	NA
008-F7Y-2	008-005RP	007-007RP	007-046RP	008-044RP	NA
008-F7Y-IFC	008-005RP	007-007RP	007-046RP	008-044RP	006-047RP
008-S46	NA	NA	NA	008-043RP	
008-SF6	008-005RP	007-007RP	007-002RP	008-045RP	NA
008-SF6-1 (GRAINGER)	NA	007-066RP	NA	008-045RP	NA
008-SF6-1IFC	008-005RP	007-007RP	007-002RP	008-045RP	0010-025RP
008-SF6-2	008-005RP	007-007RP	007-002RP	008-045RP	NA
008-SF6-IFC	008-005RP	007-007RP	007-002RP	008-045RP	0010-025RP
008-SF6R	008-005RP	007-007RP	007-002RP	008-045RP	NA
008-SF7A	008-005RP	007-007RP	007-046RP	008-045RP	NA
008-SF7Y	008-005RP	007-007RP	007-046RP	008-045RP	NA
008-SF7Y-IFC	008-005RP	007-007RP	007-046RP	008-045RP	0010-025RP
008-ST6-1IFC	008-005RP	NA	007-002RP	008-045RP	006-051RP
008-ST6-2IFC	008-005RP	NA	007-002RP	008-045RP	006-051RP
008-T7	008-005RP	NA	007-002RP	008-055RP	NA
008-V2	008-005RP	NA	007-002RP	008-044RP	
008-V2-1	008-005RP	NA	007-002RP	008-044RP	
008-V2A	008-005RP	NA	007-002RP	008-044RP	
008-VDTF6	008-005RP	007-007RP	NA	008-044RP	NA
008-VDTF6-1	008-005RP	007-007RP		008-044RP	NA
008-VDTF6-IFC	008-005RP	007-007RP	NA	008-044RP	006-047RP
008-VDTSF6	008-005RP	007-007RP	NA	008-045RP	NA
008-VDTSF6-1	008-005RP	007-007RP	NA	008-045RP	NA
008-VRBC6	008-005RP	NA		008-045RP	
008-VRBC6-1	008-005RP	NA		008-045RP	
008-VRBC6-IFC	008-005RP	NA		008-045RP	006-047RP
008-VRBF6	008-005RP	007-007RP		008-045RP	
008-VRBF6-IFC	008-005RP	007-007RP		008-045RP	006-047RP
008-VRF6	008-005RP	007-007RP		008-044RP	
008-VRF6-1IFC	008-005RP	007-007RP		008-044RP	006-047RP
008-VRF6-IFC	008-005RP	007-007RP	NA	008-044RP	006-047RP
008-VRSF6	008-005RP	007-007RP	NA	008-045RP	NA
008-VRSF6-IFC	008-005RP	007-007RP	NA	008-045RP	0010-025RP
008-VTF6	008-005RP	007-007RP	NA	008-044RP	NA
008-VTF6-1	008-005RP	007-007RP	NA	008-044RP	NA
008-VTSF6	008-005RP	007-007RP	NA	008-045RP	NA
008-VTT7	008-005RP	NA	NA	008-055RP	NA
008-VVSF6	008-005RP	007-007RP	NA	008-045RP	NA
008-VVSF6-1	008-005RP	007-007RP	NA	008-045RP	NA
008-ZBF6	008-005RP	007-007RP		008-045RP	
008-ZBF6-1	008-005RP	007-007RP		008-045RP	
008-ZBF6-1IFC	008-005RP	007-007RP		008-045RP	006-047RP
008-ZBF6-2	008-005RP	007-007RP		008-045RP	
008-ZBF6-IFC	008-005RP	007-007RP		008-045RP	006-047RP
008-ZF5	008-005RP	007-007RP	007-002RP	008-044RP	

## 008- (Continued)

PUMP MODEL NUMBER	CASING O-RING	FLANGE GASKET SET	CAPACITOR or PC BOARD	CARTRIDGE ASSY. COMPLETE	VALVE ASSY. TRANS/RELAY
008-ZF5-1	008-005RP	007-007RP	007-002RP	008-044RP	
008-ZF5-2	008-005RP	007-007RP		008-044RP	
008-ZF5-3	008-005RP	007-007RP		008-044RP	
008-ZF5-4	008-005RP	007-007RP		008-044RP	
008-ZF5-5	008-005RP	007-007RP		008-044RP	
008-ZF6-1IFC	008-005RP	007-007RP		008-044RP	006-047RP
008-ZF6-2IFC	008-005RP	007-007RP		008-044RP	006-047RP
008-ZF6-4	008-005RP	007-007RP		008-044RP	
008-ZF6-5	008-005RP	007-007RP		008-044RP	
008-ZF6-6	008-005RP	007-007RP		008-044RP	
008-ZF6-IFC	008-005RP	007-007RP		008-044RP	006-047RP
008-ZSF6	008-005RP	007-007RP	NA	008-045RP	NA
008-ZSF6-1IFC	008-005RP	007-007RP	NA	008-045RP	0010-025RP

## 009-

PUMP MODEL NUMBER	CASING O-RING	FLANGE GASKET SET	CAPACITOR or PC BOARD	CARTRIDGE ASSY. COMPLETE	VALVE ASSY. TRANS/RELAY
009-B6-1IFC	009-028RP	NA	NA	009-036RP	009-033RP
009-B6-2IFC	009-028RP	NA	NA	009-036RP	009-033RP
009-BC2	009-005RP	NA	009-014RP	009-022RP	
009-BC2-W	009-005RP	NA	009-014RP	009-022RP	
009-BC4	009-005RP	NA	009-014RP	009-022RP	
009-BC4-1W	009-005RP	NA	009-014RP	009-022RP	
009-BC4-W	009-005RP	NA	009-014RP	009-022RP	
009-BF2	009-005RP	007-007RP	009-014RP	009-022RP	
009-BF2-W	009-005RP	007-007RP	009-014RP	009-022RP	
009-BF4	009-005RP	007-007RP	009-014RP	009-022RP	
009-BF4-J	009-005RP	007-007RP	009-014RP	009-022RP	
009-BF4-W	009-005RP	007-007RP	009-014RP	009-022RP	
009-BF5	009-005RP	007-007RP	009-018RP	009-022RP	
009-BF5-1N	009-005RP	NA	009-018RP	009-022RP	
009-BF5-2IFC (GRAINGER)	NA	007-066RP	NA	009-025RP	NA
009-BF5-2N	009-005RP	NA	009-018RP	009-022RP	
009-BF5-3 (GRAINGER)	NA	007-066RP	NA	009-025RP	
009-BF5-IFC	009-005RP	007-007RP	009-018RP	009-022RP	009-033RP
009-BF5-J	009-005RP	007-007RP	009-018RP	009-022RP	
009-BF5A	009-005RP	007-007RP	0010-012RP	009-022RP	
009-BF5A-J	009-005RP	007-007RP	0010-012RP	009-022RP	NA
009-BF5R	009-005RP	007-007RP	009-018RP	009-022RP	
009-BF5Y	009-005RP	007-007RP	0010-012RP	009-022RP	NA
009-BF5Y-1JIFC	009-005RP	007-007RP	0010-012RP	009-022RP	009-033RP
009-C4-K	009-005RP	NA	009-014RP	009-021RP	
009-F2	009-005RP	007-007RP	009-014RP	009-021RP	
009-F2-W	009-005RP	007-007RP	009-014RP	009-021RP	
009-F4	009-005RP	007-007RP	009-014RP	009-021RP	
009-F4-V	NA	NA	009-014RP	NA	
009-F5	009-005RP	007-007RP	009-018RP	009-021RP	
009-F5-1 (GRAINGER)	NA	007-066RP	NA	009-026RP	
009-F5-2IFC (GRAINGER)	NA	007-066RP	NA	009-026RP	NA
009-F5-3IFC	009-005RP	007-007RP	009-018RP	009-022RP	009-033RP
009-F5-IFC	009-005RP	007-007RP	009-018RP	009-021RP	009-033RP
009-F5-K	009-005RP	007-007RP	009-018RP	009-021RP	
009-F5A	009-005RP	007-007RP	0010-012RP	009-021RP	
009-F5R	009-005RP	007-007RP	009-018RP	009-021RP	
009-F5U	009-005RP	007-007RP	0010-012RP	009-040RP	NA
009-F5Y	009-005RP	007-007RP	0010-012RP	009-021RP	
009-F5Y-IFC	009-005RP	007-007RP	0010-012RP	009-021RP	009-033RP
009-S1	NA	NA	009-014RP	NA	
009-S12	009-005RP	NA	009-018RP	009-022RP	
009-S13	009-005RP	NA	009-018RP	009-022RP	
009-S5	009-005RP	007-007RP	009-014RP	009-021RP	
009-S6-1IFC	009-028RP	NA	NA	009-036RP	009-033RP
009-S6-2IFC	009-028RP	NA	NA	009-036RP	009-033RP
009-S6Y	009-028RP	NA	0010-012RP	009-036RP	NA
009-SF5	009-005RP	007-007RP	009-018RP	009-022RP	NA
009-SF5-1 (GRAINGER)	NA	NA	NA	009-025RP	NA

## 009- (Continued)

PUMP MODEL NUMBER	CASING O-RING	FLANGE GASKET SET	CAPACITOR or PC BOARD	CARTRIDGE ASSY. COMPLETE	VALVE ASSY. TRANS/RELAY
009-SF5-1IFC (GRAINGER)	NA	NA	NA	009-025RP	NA
009-SF5-IFC	009-005RP	007-007RP	009-018RP	009-022RP	009-033RP
009-SF5A	009-005RP	007-007RP	0010-012RP	009-022RP	NA
009-SF5R	009-005RP	007-007RP	009-018RP	009-022RP	NA
009-SF5Y	009-005RP	007-007RP	0010-012RP	009-022RP	NA
009-SF5Y-IFC	009-005RP	007-007RP	009-018RP	009-022RP	009-033RP
009-SF6-1	009-028RP	NA	009-018RP		NA
009-ST5-IFC	009-005RP	NA	009-018RP	009-022RP	009-033RP
009-VDTF5	009-005RP	007-007RP	NA	009-021RP	NA
009-VRBF5	009-005RP	007-007RP	NA	009-022RP	NA
009-VRBF5-IFC	009-005RP	007-007RP	NA	009-022RP	009-033RP
009-VRF5	009-005RP	007-007RP	NA	009-021RP	NA
009-VRF5-IFC	009-005RP	007-007RP	NA	009-021RP	009-033RP
009-VRSF5	009-005RP	007-007RP	NA	009-022RP	NA
009-VRSF5-IFC	009-005RP	007-007RP	NA	009-022RP	009-033RP
009-VSBF5	009-005RP	007-007RP	NA	009-022RP	NA
009-VSBF5-IFC	009-005RP	007-007RP	NA	009-022RP	009-033RP
009-VSF5	008-005RP	007-007RP	NA	009-021RP	NA
009-VSSF5	009-005RP	007-007RP	NA	009-022RP	NA
009-VSSF5-IFC	009-005RP	007-007RP	NA	009-022RP	009-033RP
009-VTF5	009-005RP	007-007RP	NA	009-021RP	NA
009-VTF5-1	009-005RP	007-007RP	NA	009-021RP	NA
009-VTF5-K	009-005RP	007-007RP	NA	009-021RP	NA
009-VTSF5	008-005RP	007-007RP	NA	009-022RP	NA
009-VVBF5	009-005RP	007-007RP	NA	009-022RP	NA
009-VVBF5-IFC	009-005RP	007-007RP	NA	009-022RP	009-033RP
009-VVF5	009-005RP	007-007RP	009-024RP	009-021RP	NA
009-VVSF5	009-005RP	007-007RP	NA	009-022RP	NA
009-VVSF5-IFC	009-005RP	007-007RP	NA	009-022RP	009-033RP
009-ZBF5	009-005RP	007-007RP	NA	009-022RP	NA
009-ZBF5-1	009-005RP	007-007RP	NA	009-022RP	NA
009-ZBF5-1IFC	009-005RP	007-007RP	NA	009-022RP	009-033RP
009-ZBF5-2	009-005RP	007-007RP	NA	009-022RP	NA
009-ZBF5-IFC	009-005RP	007-007RP	NA	009-022RP	009-033RP
009-ZF5	009-005RP	007-007RP	NA	009-021RP	NA
009-ZF5-1	009-005RP	007-007RP	NA	009-021RP	NA
009-ZF5-1IFC	009-005RP	007-007RP	NA	009-021RP	009-033RP
009-ZF5-2	009-005RP	007-007RP	NA	009-021RP	NA
009-ZF5-IFC	009-005RP	007-007RP	NA	009-021RP	009-033RP
009-ZSF5	009-005RP	007-007RP	NA	009-022RP	NA
009-ZSF5-IFC	009-005RP	007-007RP	NA	009-022RP	009-033RP

## 00R-

PUMP MODEL NUMBER	CASING O-RING	FLANGE GASKET SET	CAPACITOR or PC BOARD	CARTRIDGE ASSY. COMPLETE	VALVE ASSY. TRANS/RELAY
00R-BC6	008-005RP	NA	007-002RP	008-045RP	NA
00R-BF6-IFC	008-005RP	007-007RP	007-002RP	008-045RP	006-047RP
00R-F6-1IFC	008-005RP	007-007RP	007-002RP	008-044RP	006-047RP
00R-F6-2IFC	008-005RP	007-007RP	007-002RP	008-044RP	006-047RP
00R-F6-IFC	008-005RP	007-007RP	007-002RP	008-044RP	006-047RP
00R-MSF1-1IFC	00R-001RP	007-007RP	007-002RP	00R-002RP	0010-025RP
00R-MSF1-2IFC (GRAINGER)	NA	007-066RP	NA	00R-003RP	NA
00R-MSF1-3IFC	00R-001RP	007-007RP	007-002RP	00R-005RP	0010-025RP
00R-MSF1-4IFC	00R-001RP	007-007RP	007-002RP	00R-005RP	0010-025RP
00R-MSF1-6IFC	00R-001RP	007-007RP	007-002RP	00R-005RP	0010-025RP
00R-MSF1-IFC	00R-001RP	007-007RP	007-002RP	00R-002RP	0010-025RP
00R-MSF2-1IFC	00R-001RP	007-007RP	007-002RP	00R-005RP	0010-025RP
00R-MSF2-IFC	00R-001RP	007-007RP	007-002RP	00R-005RP	0010-025RP
00R-SF6-1IFC	008-005RP	007-007RP	007-002RP	008-045RP	0010-025RP
00R-SF6-IFC	008-005RP	007-007RP	007-002RP	008-045RP	0010-025RP



**0010-**

<b>PUMP MODEL NUMBER</b>	<b>CASING O-RING</b>	<b>FLANGE GASKET SET</b>	<b>CAPACITOR or PC BOARD</b>	<b>CARTRIDGE ASSY. COMPLETE</b>	<b>VALVE ASSY. TRANS/RELAY</b>
0010-BF1	0010-008RP	007-007RP	009-014RP	NA	
0010-BF1-J	0010-008RP	007-007RP	009-014RP	NA	
0010-BF2	0010-008RP	007-007RP	009-018RP	0010-022RP	
0010-BF2-1	0010-008RP	007-007RP	009-018RP	0010-022RP	
0010-BF2-J	0010-008RP	007-007RP	009-018RP	0010-022RP	
0010-BF2A	0010-008RP	007-007RP	0010-012RP	0010-022RP	
0010-BF3	0010-008RP	007-007RP	009-018RP	0010-022RP	
0010-BF3-1	0010-008RP	007-007RP	009-018RP	0010-022RP	
0010-BF3-2IFC (GRAINGER)	NA	007-066RP	NA	0010-030RP	NA
0010-BF3-IFC	0010-008RP	007-007RP	007-007RP	0010-022RP	0010-025RP
0010-BF3-J	0010-008RP	007-007RP	009-018RP	0010-022RP	
0010-BF3A	0010-008RP	007-007RP	0010-012RP	0010-022RP	
0010-BF3Y	0010-008RP	007-007RP	0010-012RP	0010-022RP	
0010-F1	0010-008RP	007-007RP	009-014RP	NA	
0010-F1-1W	0010-008RP	007-007RP	009-014RP	NA	
0010-F2	0010-008RP	007-007RP	009-018RP	0010-021RP	
0010-F2-1 (GRAINGER)	NA	007-066RP	NA	0010-023RP	
0010-F2A	0010-008RP	007-007RP	0010-012RP	0010-021RP	
0010-F2Y	0010-008RP	007-007RP	0010-012RP	0010-021RP	
0010-F3	0010-008RP	007-007RP	009-018RP	0010-021RP	NA
0010-F3-1 (GRAINGER)	NA	007-066RP	NA	0010-021RP	NA
0010-F3-1IFC	0010-008RP	007-007RP	009-018RP	0010-021RP	0012-021RP
0010-F3-2	0010-008RP	007-007RP	009-018RP	0010-021RP	NA
0010-F3-2IFC (GRAINGER)	NA	007-066RP	NA	0010-023RP	NA
0010-F3-3	0010-026RP	007-054RP	009-018RP	0010-028RP	NA
0010-F3-3IFC (GRAINGER)	NA	007-066RP	NA	0010-023RP	NA
0010-F3-IFC	0010-008RP	007-007RP	009-018RP	0010-021RP	0010-025RP
0010-F3A	0010-008RP	007-007RP	0010-012RP	0010-021RP	NA
0010-F3A-1IFC	0010-008RP	007-007RP	0010-012RP	0010-021RP	0012-021RP
0010-F3A-IFC	0010-008RP	007-007RP	0010-012RP	0010-021RP	0010-025RP
0010-F3R	0010-008RP	007-007RP	009-018RP	0010-021RP	NA
0010-F3Y	0010-008RP	007-007RP	0010-012RP	0010-021RP	NA
0010-F3Y-IFC	0010-008RP	007-007RP	0010-012RP	0010-021RP	0012-021RP
0010-MSF1-1IFC (GRAINGER)	NA	007-066RP	NA	0010-033RP	NA
0010-MSF1-IFC	0010-032RP	007-007RP	007-002RP	0010-031RP	0012-021RP
0010-SF3	0010-008RP	007-007RP	009-018RP	0010-022RP	NA
0010-SF3-1IFC (GRAINGER)	NA	007-066RP	NA	0010-030RP	NA
0010-SF3-IFC	0010-008RP	007-007RP	009-018RP	0010-022RP	0012-021RP
0010-SF3A	0010-008RP	007-007RP	0010-012RP	0010-022RP	NA
0010-SF3Y	0010-008RP	007-007RP	0010-012RP	0010-022RP	NA
0010-VDTF3	0010-008RP	007-007RP	NA	0010-021RP	NA
0010-VRBF3-IFC	0010-008RP	007-007RP	NA	0010-022RP	0010-025RP
0010-VRF3	0010-008RP	007-007RP	NA	0010-021RP	NA
0010-VRF3-1IFC	0010-008RP	007-007RP	NA	0010-021RP	0012-021RP
0010-VRF3-IFC	0010-008RP	007-007RP	NA	0010-021RP	0010-025RP
0010-VRSF3	0010-008RP	007-007RP	NA	0010-022RP	NA
0010-VRSF3-IFC	0010-008RP	007-007RP	NA	0010-022RP	0012-021RP
0010-VSBF3-J	0010-008RP	007-007RP	NA	0010-022RP	NA
0010-VSF3-1IFC	0010-008RP	007-007RP	NA	0010-021RP	0012-021RP
0010-VSSF3	0010-008RP	007-007RP	NA	0010-022RP	NA
0010-VVF3-1IFC	0010-008RP	007-007RP	NA	0010-021RP	0012-021RP
0010-VVSF3	0010-008RP	007-007RP	NA	0010-022RP	NA
0010-ZBF2	0010-008RP	007-007RP	NA	0010-022RP	NA
0010-ZBF2-1	0010-008RP	007-007RP	NA	0010-022RP	NA
0010-ZBF3	0010-008RP	007-007RP	NA	0010-022RP	NA
0010-ZBF3-1IFC	0010-008RP	007-007RP	NA	0010-022RP	0010-025RP
0010-ZBF3-2	0010-008RP	007-007RP	NA	0010-022RP	
0010-ZBF3-IFC	0010-008RP	007-007RP	NA	0010-022RP	0010-025RP
0010-ZF2	0010-008RP	007-007RP	NA	0010-021RP	
0010-ZF2-1	0010-008RP	007-007RP	NA	0010-021RP	
0010-ZF3	0010-008RP	007-007RP	NA	0010-021RP	

## 0010- (Continued)

PUMP MODEL NUMBER	CASING O-RING	FLANGE GASKET SET	CAPACITOR or PC BOARD	CARTRIDGE ASSY. COMPLETE	VALVE ASSY. TRANS/RELAY
0010-ZF3-1IFC	0010-008RP	007-007RP		0010-021RP	0012-021RP
0010-ZF3-2	0010-008RP	007-007RP	NA	0010-021RP	
0010-ZF3-IFC	0010-008RP	007-007RP		0010-021RP	0010-025RP
0010-ZSF3	0010-008RP	007-007RP	NA	0010-022RP	
0010-ZSF3-IFC	0010-008RP	007-007RP	NA	0010-022RP	0012-021RP

## 0011-

PUMP MODEL NUMBER	CASING O-RING	FLANGE GASKET SET	CAPACITOR or PC BOARD	CARTRIDGE ASSY. COMPLETE	VALVE ASSY. TRANS/RELAY
0011 (RAYPAK)	NA	NA	NA	0011-008RP	
0011-BF1	009-005RP	007-007RP	0011-002RP	NA	
0011-BF1-J	009-005RP	007-007RP	0011-002RP	NA	
0011-BF1Y	009-005RP	007-007RP	0011-003RP	NA	
0011-BF1Y-J	009-005RP	007-007RP	0011-003RP	NA	
0011-BF2	009-005RP	007-007RP	0011-002RP	0011-010RP	
0011-BF2-J	009-005RP	007-007RP	0011-002RP	0011-010RP	
0011-BF2A	009-005RP	007-007RP	0011-003RP	0011-010RP	
0011-BF2A-J	009-005RP	007-007RP	0011-003RP	0011-010RP	
0011-BF2Y	009-005RP	007-007RP	0011-003RP	0011-010RP	
0011-BF2Y-1J	009-005RP	007-007RP	0011-003RP	0011-010RP	
0011-BF2Y-2J	009-005RP	007-007RP	0010-012RP	0011-010RP	
0011-BF2Y-J	009-005RP	007-007RP	0011-003RP	0011-010RP	
0011-BF3	009-005RP	007-007RP	009-018RP	0011-010RP	
0011-BF3-1	009-027RP	007-007RP	009-018RP	0011-016RP	
0011-BF3Y	009-005RP	007-007RP	0010-012RP	0011-010RP	
0011-BF3Y-J	009-005RP	007-007RP	0010-012RP	0011-010RP	
0011-BF4	009-005RP	007-007RP	009-018RP	0011-010RP	
0011-BF4-1	009-005RP	007-007RP	009-018RP	0011-010RP	
0011-BF4-1IFC	009-028RP	007-007RP	009-018RP	0011-010RP	0011-021RP
0011-BF4-2	009-005RP	007-007RP	009-018RP	0011-010RP	
0011-BF4-2IFC	009-028RP	007-007RP	009-018RP	0011-010RP	0011-021RP
0011-BF4-3IFC	009-028RP	007-007RP	009-018RP	0011-010RP	0011-021RP
0011-BF4-3J	009-005RP	007-007RP	009-018RP	0011-010RP	NA
0011-BF4-4J	009-005RP	007-007RP	009-018RP	0011-010RP	NA
0011-BF4-IFC	009-028RP	007-007RP	009-018RP	0011-010RP	0011-018RP
0011-BF4-J	009-005RP	007-007RP	009-018RP	0011-010RP	
0011-BF4-JIFC	009-005RP	007-007RP	009-018RP	0011-010RP	0012-021RP
0011-BF4A	009-005RP	007-007RP	0010-012RP	0011-010RP	
0011-BF4A-1	009-027RP	007-007RP	0010-012RP	0011-016RP	
0011-BF4A-1IFC	009-028RP	007-007RP	0010-012RP	0011-010RP	0011-018RP
0011-BF4A-2	009-028RP	007-007RP	0010-012RP	0011-010RP	NA
0011-BF4A-IFC	009-028RP	007-007RP	0010-012RP	0011-010RP	0011-021RP
0011-BF4A-J	009-005RP	007-007RP	0010-012RP	0011-010RP	
0011-BF4R	009-005RP	007-007RP	009-018RP	0011-010RP	
0011-BF4R-1	009-005RP	007-007RP	009-018RP	0011-016RP	
0011-BF4Y	009-005RP	007-007RP	0010-012RP	0011-010RP	
0011-BF4Y-1J	009-005RP	007-007RP	0010-012RP	0011-010RP	
0011-BF4Y-J	009-005RP	007-007RP	0010-012RP	0011-010RP	
0011-BF4Y-JIFC	009-005RP	007-007RP	0010-012RP	0011-010RP	0012-021RP
0011-DM	009-028RP	007-007RP	009-018RP	0011-010RP	0011-021RP
0011-F1	009-005RP	007-007RP	0011-002RP	NA	
0011-F1Y	009-005RP	007-007RP	0011-003RP	NA	
0011-F1Y-J	009-005RP	007-007RP	0011-003RP	NA	
0011-F2	009-005RP	007-007RP	0011-002RP	0011-009RP	
0011-F2-1	009-005RP	007-007RP	0011-002RP	0011-009RP	
0011-F2-J	009-005RP	007-007RP	0011-002RP	0011-010RP	
0011-F2Y	009-005RP	007-007RP	0011-003RP	0011-009RP	
0011-F2Y-1	009-005RP	007-007RP	0011-003RP	0011-009RP	
0011-F3	009-005RP	007-007RP	009-018RP	0011-009RP	

**0011- (Continued)**

<b>PUMP MODEL NUMBER</b>	<b>CASING O-RING</b>	<b>FLANGE GASKET SET</b>	<b>CAPACITOR or PC BOARD</b>	<b>CARTRIDGE ASSY. COMPLETE</b>	<b>VALVE ASSY. TRANS/RELAY</b>
0011-F3-1	009-005RP	007-007RP	009-018RP	0011-009RP	
0011-F4	009-005RP	007-007RP	009-018RP	0011-009RP	
0011-F4-1 (GRAINGER)	NA	007-066RP	NA	0011-014RP	
0011-F4-1IFC	009-028RP	007-007RP	009-018RP	0011-009RP	0011-018RP
0011-F4-2	009-005RP	007-007RP	009-018RP	0011-009RP	
0011-F4-2IFC	009-028RP	007-007RP	009-018RP	0011-009RP	0012-021RP
0011-F4-3	009-005RP	007-007RP	009-018RP	0011-009RP	
0011-F4-3IFC	009-028RP	007-007RP	009-018RP	0011-009RP	0012-021RP
0011-F4-4	009-005RP	007-007RP	009-018RP	0011-009RP	
0011-F4-IFC	009-028RP	007-007RP	009-018RP	0011-009RP	0011-018RP
0011-F4A	009-005RP	007-007RP	0010-012RP	0011-009RP	
0011-F4A-IFC	009-005RP	007-007RP	0010-012RP	0011-009RP	0012-021RP
0011-F4R	009-005RP	007-007RP	0010-012RP	0011-009RP	
0011-F4U	009-028RP	007-007RP	0010-012RP	0011-026RP	NA
0011-F4Y	009-005RP	007-007RP	0010-012RP	0011-009RP	
0011-F4Y-1IFC	009-028RP	007-007RP	0010-012RP	0011-009RP	0012-021RP
0011-F4Y-1J	009-005RP	007-007RP	0010-012RP	0011-010RP	
0011-F4Y-IFC	009-028RP	007-007RP	0010-012RP	0011-009RP	0011-018RP
0011-SF4	009-005RP	007-007RP	009-018RP	0011-010RP	NA
0011-SF4-1IFC	009-028RP	007-007RP	009-018RP	0011-010RP	0011-025RP
0011-SF4-IFC	009-028RP	007-007RP	009-018RP	0011-010RP	0012-021RP
0011-SF4A	009-005RP	007-007RP	0010-012RP	0011-010RP	NA
0011-SF4A-IFC	009-028RP	007-007RP	0010-012RP	0011-010RP	0011-025RP
0011-SF4R	009-005RP	007-007RP	009-018RP	0011-013RP	NA
0011-SF4Y	009-005RP	007-007RP	0010-012RP	0011-010RP	NA
0011-SF4Y-IFC	009-005RP	007-007RP	0010-012RP	0011-010RP	0012-021RP
0011-VDTF4	009-028RP	007-007RP		0011-009RP	NA
0011-VRBF4	009-005RP	007-007RP	NA	0011-010RP	
0011-VRBF4-IFC	009-028RP	007-007RP		0011-010RP	0011-018RP
0011-VRF4	009-005RP	007-007RP		0011-009RP	
0011-VRF4-1IFC	009-028RP	007-007RP		0011-009RP	0012-021RP
0011-VRF4-IFC	009-028RP	007-007RP		0011-009RP	0011-018RP
0011-VRSF4	009-028RP	007-007RP	NA	0011-010RP	NA
0011-VRSF4-IFC	009-028RP	007-007RP	NA	0011-010RP	0012-021RP
0011-VSBF4-IFC	009-028RP	007-007RP	NA	0011-010RP	0011-018RP
0011-VSF4-1IFC	009-028RP	007-007RP		0011-009RP	0012-021RP
0011-VSF4-IFC	009-028RP	007-007RP		0011-009RP	0011-018RP
0011-VSSF4	009-028RP	007-007RP	NA	0011-010RP	NA
0011-VSSF4-IFC	009-028RP	007-007RP	NA	0011-010RP	0012-021RP
0011-VTF4	009-005RP	007-007RP	NA	0011-009RP	NA
0011-VTSF4	009-028RP	007-007RP	NA	0011-010RP	NA
0011-VVBF4-IFC	009-028RP	007-007RP	NA	0011-010RP	0011-018RP
0011-VVF4-1IFC	009-028RP	007-007RP		0011-009RP	0012-021RP
0011-VVF4-IFC	009-028RP	007-007RP		0011-009RP	0011-018RP
0011-VVSF4	009-028RP	007-007RP	NA	0011-010RP	NA
0011-VVSF4-IFC	009-028RP	007-007RP	NA	0011-010RP	0012-021RP
0011-ZBF4	009-005RP	007-007RP	NA	0011-010RP	
0011-ZBF4-1	009-005RP	007-007RP	NA	0011-010RP	
0011-ZBF4-1IFC	009-005RP	007-007RP	NA	0011-010RP	0012-021RP
0011-ZBF4-2	009-005RP	007-007RP	NA	0011-010RP	
0011-ZBF4-IFC	009-005RP	007-007RP	NA	0011-010RP	0011-018RP
0011-ZF3	009-005RP	007-007RP	NA	0011-009RP	
0011-ZF3-1	009-005RP	007-007RP	NA	0011-009RP	
0011-ZF4	009-005RP	007-007RP	NA	0011-009RP	
0011-ZF4-1	009-005RP	007-007RP	NA	0011-009RP	
0011-ZF4-1IFC	009-028RP	007-007RP	NA	0011-009RP	0012-021RP
0011-ZF4-2	009-005RP	007-007RP	NA	0011-009RP	
0011-ZF4-IFC	009-028RP	007-007RP	NA	0011-009RP	0011-018RP
0011-ZSF4	009-005RP	007-007RP	NA	0011-010RP	NA
0011-ZSF4-IFC	009-005RP	007-007RP	NA	0011-010RP	0012-021RP

**0012-**

<b>PUMP MODEL NUMBER</b>	<b>CASING O-RING</b>	<b>FLANGE GASKET SET</b>	<b>CAPACITOR or PC BOARD</b>	<b>CARTRIDGE ASSY. COMPLETE</b>	<b>VALVE ASSY. TRANS/RELAY</b>
0012-BF1	0012-006RP	0012-020RP	0011-002RP	NA	
0012-BF1-1	0012-006RP	1400-009RP	0011-002RP	NA	
0012-BF1-1J	0012-006RP	1400-009RP	0011-002RP	NA	
0012-BF1-J	0012-006RP	0012-020RP	0011-002RP	NA	
0012-BF1Y	0012-006RP	0012-020RP	0011-003RP	NA	
0012-BF1Y-1	0012-006RP	1400-009RP	0011-003RP	NA	
0012-BF1Y-1J	0012-006RP	1400-009RP	0011-003RP	NA	
0012-BF1Y-J	0012-006RP	0012-020RP	0011-003RP	NA	
0012-BF2	0012-006RP	0012-020RP	0011-002RP	0012-012RP	
0012-BF2-1	0012-006RP	1400-009RP	0011-002RP	0012-012RP	
0012-BF2-1J	0012-006RP	1400-009RP	0011-002RP	0012-012RP	
0012-BF2-J	0012-006RP	0012-020RP	0011-002RP	0012-012RP	
0012-BF2A	0012-006RP	0012-020RP	0011-003RP	0012-012RP	
0012-BF2A-J	0012-006RP	0012-020RP	0011-003RP	0012-012RP	
0012-BF2A-JC	0012-006RP	0012-020RP	0011-003RP	0012-012RP	
0012-BF2Y	0012-006RP	0012-020RP	0011-003RP	0012-012RP	
0012-BF2Y-1	0012-006RP	1400-009RP	0011-003RP	0012-012RP	
0012-BF3	0012-006RP	0012-020RP	009-018RP	0012-012RP	
0012-BF4	0012-006RP	0012-020RP	009-018RP	0012-012RP	
0012-BF4-1	0012-006RP	1400-009RP	009-018RP	0012-012RP	
0012-BF4-1J	0012-006RP	1400-009RP	009-018RP	0012-012RP	
0012-BF4-2	0012-006RP	0012-020RP	009-018RP	0012-012RP	
0012-BF4-3 (GRAINGER)	NA	NA	NA	0012-018RP	
0012-BF4-4	0012-006RP	0012-020RP	009-018RP	0012-012RP	
0012-BF4-IFC	0012-006RP	0012-020RP	009-018RP	0012-012RP	0012-021RP
0012-BF4-J	0012-006RP	0012-020RP	009-018RP	0012-012RP	
0012-BF4A	0012-006RP	0012-020RP	0010-012RP	0012-012RP	
0012-BF4A-1	0012-006RP	1400-009RP	0010-012RP	0012-012RP	
0012-BF4A-JD	0012-006RP	0012-020RP	0010-012RP	0012-012RP	
0012-BF4V	0012-006RP	0012-020RP	0011-003RP	0012-012RP	
0012-BF4Y	0012-006RP	0012-020RP	0010-012RP	0012-012RP	
0012-F1	0012-006RP	0012-020RP	0011-002RP	NA	
0012-F1-1	0012-006RP	1400-009RP	0011-002RP	NA	
0012-F1Y	0012-006RP	0012-020RP	0011-003RP	NA	
0012-F1Y-1	0012-006RP	1400-009RP	0011-003RP	NA	
0012-F2	0012-006RP	0012-020RP	0011-002RP	0012-011RP	
0012-F2-1	0012-006RP	1400-009RP	0011-002RP	0012-011RP	
0012-F2Y	0012-006RP	0012-020RP	0011-003RP	0012-011RP	
0012-F2Y-1	0012-006RP	1400-009RP	0011-003RP	0012-011RP	
0012-F3	0012-006RP	0012-020RP	009-018RP	0012-011RP	
0012-F4	0012-006RP	0012-020RP	009-018RP	0012-011RP	
0012-F4-1	0012-006RP	1400-009RP	009-018RP	0012-011RP	
0012-F4-2 (GRAINGER)	NA	NA	NA	0012-019RP	
0012-F4-3	0012-006RP	0012-020RP	009-018RP	0012-011RP	NA
0012-F4-IFC	0012-006RP	0012-020RP	009-018RP	0012-011RP	0012-021RP
0012-F4A	0012-006RP	0012-020RP	0010-012RP	0012-011RP	
0012-F4R	0012-006RP	0012-020RP	009-018RP	0012-011RP	
0012-F4U	0012-006RP	0012-020RP	0010-012RP	0012-024RP	NA
0012-F4Y	0012-006RP	0012-020RP	0010-012RP	0012-011RP	
0012-F4Y-1	0012-006RP	1400-009RP	0010-012RP	0012-011RP	
0012-F4Y-IFC	0012-006RP	0012-020RP	0010-012RP	0012-011RP	0012-021RP
0012-SF4	0012-006RP	0012-020RP	009-018RP	0012-012RP	
0012-SF4-2	0012-006RP	0012-020RP	009-018RP	0012-012RP	
0012-SF4-3 (GRAINGER)	NA	NA	NA	0012-018RP	
0012-SF4-4	0012-006RP	0012-020RP	009-018RP	0012-012RP	NA
0012-SF4-IFC	0012-006RP	0012-020RP	009-018RP	0012-012RP	0012-021RP
0012-SF4A	0012-006RP	0012-020RP	0010-012RP	0012-012RP	
0012-SF4V	0012-006RP	0012-020RP	0011-003RP	0012-012RP	
0012-SF4Y	0012-006RP	0012-020RP	0010-012RP	0012-012RP	
0012-VDTF4	0012-006RP	0012-020RP	NA	0012-011RP	NA
0012-VDTF4-1	0012-006RP	1400-009RP	NA	0012-011RP	NA

## 0012- (Continued)

PUMP MODEL NUMBER	CASING O-RING	FLANGE GASKET SET	CAPACITOR or PC BOARD	CARTRIDGE ASSY. COMPLETE	VALVE ASSY. TRANS/RELAY
0012-VDTSF4	0012-006RP	0012-020RP	NA	0012-012RP	NA
0012-VRBF4	0012-006RP	0012-020RP	NA	0012-012RP	
0012-VRBF4-1	0012-006RP	1400-009RP	NA	0012-012RP	
0012-VRBF4-IFC	0012-006RP	0012-020RP		0012-012RP	0012-021RP
0012-VRF4	0012-006RP	0012-020RP		0012-011RP	
0012-VRF4-1	0012-006RP	1400-009RP		0012-011RP	
0012-VRF4-IFC	0012-006RP	0012-020RP		0012-011RP	0012-021RP
0012-VRSF4	0012-006RP	0012-020RP	NA	0012-012RP	
0012-VRSF4-IFC	0012-006RP	0012-020RP	NA	0012-012RP	0012-021RP
0012-VSBF4-3IFC	0012-006RP	0012-020RP	NA	0012-012RP	0012-021RP
0012-VSBF4-3JIFC	0012-006RP	0012-020RP	NA	0012-012RP	0012-021RP
0012-VSBF4-IFC	0012-006RP	0012-020RP	NA	0012-012RP	0012-021RP
0012-VSBF4-JIFC	0012-006RP	0012-020RP	NA	0012-012RP	0012-021RP
0012-VSF4-1IFC	0012-006RP	0012-020RP		0012-011RP	0012-021RP
0012-VSF4-IFC	0012-006RP	0012-020RP	NA	0012-011RP	0012-021RP
0012-VSSF4-3IFC	0012-006RP	0012-020RP	NA	0012-012RP	0012-021RP
0012-VSSF4-IFC	0012-006RP	0012-020RP	NA	0012-012RP	0012-021RP
0012-VTF4-IFC	0012-006RP	0012-020RP	NA	0012-011RP	0012-021RP
0012-VVBF4-IFC	0012-006RP	0012-020RP	NA	0012-012RP	0012-021RP
0012-VVVF4-IFC	0012-006RP	0012-020RP	NA	0012-011RP	0012-021RP
0012-VVSF4-IFC	0012-006RP	0012-020RP	NA	0012-012RP	0012-021RP
0012-ZBF4	0012-006RP	0012-020RP	NA	0012-012RP	
0012-ZBF4-1	0012-006RP	0012-020RP	NA	0012-012RP	
0012-ZBF4-1IFC	0012-006RP	0012-020RP	NA	0012-012RP	0012-021RP
0012-ZBF4-2	0012-006RP	1400-009RP	NA	0012-012RP	
0012-ZBF4-3	0012-006RP	1400-009RP	NA	0012-012RP	
0012-ZBF4-4	0012-006RP	0012-020RP	NA	0012-012RP	
0012-ZBF4-5	0012-006RP	1400-009RP	NA	0012-012RP	
0012-ZBF4-IFC	0012-006RP	0012-020RP	NA	0012-012RP	0012-021RP
0012-ZF4	0012-006RP	0012-020RP	NA	0012-011RP	
0012-ZF4-1	0012-006RP	0012-020RP	NA	0012-011RP	
0012-ZF4-1IFC	0012-006RP	0012-020RP	NA	0012-011RP	0012-021RP
0012-ZF4-2	0012-006RP	1400-009RP	NA	0012-011RP	
0012-ZF4-3	0012-006RP	1400-009RP	NA	0012-011RP	
0012-ZF4-4	0012-006RP	0012-020RP	NA	0012-011RP	
0012-ZF4-5	0012-006RP	1400-009RP	NA	0012-011RP	
0012-ZF4-IFC	0012-006RP	0012-020RP	NA	0012-011RP	0012-021RP
0012-ZSF4	0012-006RP	0012-020RP	NA	0012-012RP	
0012-ZSF4-IFC	0012-006RP	0012-020RP	NA	0012-012RP	0012-021RP

## 0013-

PUMP MODEL NUMBER	CASING O-RING	FLANGE GASKET SET	CAPACITOR or PC BOARD	CARTRIDGE ASSY. COMPLETE	VALVE ASSY. TRANS/RELAY
0013-BF2	009-005RP	007-007RP	0013-004RP	0013-008RP	
0013-BF2Y	009-005RP	007-007RP	0013-003RP	0013-008RP	
0013-BF2Y-J	009-005RP	007-007RP	0013-003RP	0013-008RP	
0013-BF3	009-005RP	007-007RP	0013-004RP	0013-008RP	
0013-BF3-1 (GRAINGER)	NA	007-066RP	NA	0013-009RP	
0013-BF3-1IFC	009-028RP	007-007RP	0013-004RP	0013-008RP	0011-018RP
0013-BF3-2	009-005RP	256-006RP	0013-004RP	0013-008RP	
0013-BF3-2J	009-005RP	256-006RP	0013-004RP	0013-008RP	NA
0013-BF3-3	009-005RP	007-007RP	0013-004RP	0013-008RP	
0013-BF3-3J	009-005RP	007-007RP	0013-004RP	0013-008RP	NA
0013-BF3-4J	009-005RP	007-007RP	0013-004RP	0013-008RP	NA
0013-BF3-IFC	009-028RP	007-007RP	0013-004RP	0013-008RP	0011-018RP
0013-BF3-J	009-005RP	007-007RP	0013-004RP	0013-008RP	
0013-BF3-JIFC	009-028RP	007-007RP	0013-004RP	0013-008RP	0012-021RP
0013-BF3A	009-005RP	007-007RP	0013-003RP	0013-008RP	
0013-BF3A-1IFC	009-005RP	007-007RP	0013-003RP	0013-008RP	0011-018RP
0013-BF3A-IFC	009-005RP	007-007RP	0013-003RP	0013-008RP	0011-018RP

**0013- (Continued)**

<b>PUMP MODEL NUMBER</b>	<b>CASING O-RING</b>	<b>FLANGE GASKET SET</b>	<b>CAPACITOR or PC BOARD</b>	<b>CARTRIDGE ASSY. COMPLETE</b>	<b>VALVE ASSY. TRANS/RELAY</b>
0013-BF3A-J	009-005RP	007-007RP	0013-003RP	0013-008RP	
0013-BF3U	009-005RP	007-007RP	0013-003RP	0013-008RP	
0013-BF3Y	009-005RP	007-007RP	0013-003RP	0013-008RP	
0013-BF3Y-1	009-005RP	007-007RP	0013-003RP	0013-008RP	NA
0013-BF3Y-IFC	009-005RP	007-007RP	0013-003RP	0013-008RP	0011-018RP
0013-BF3Y-J	009-005RP	007-007RP	0013-003RP	0013-008RP	
0013-F2	009-005RP	007-007RP	0013-004RP	0013-007RP	
0013-F2Y	009-005RP	007-007RP	0013-003RP	0013-007RP	
0013-F3	009-005RP	007-007RP	0013-003RP	0013-007RP	
0013-F3-1 (GRAINGER)	NA	007-066RP	NA	0013-010RP	
0013-F3-1IFC	009-028RP	007-007RP	0013-004RP	0013-007RP	0012-021RP
0013-F3-2	009-005RP	256-006RP	0013-004RP	0013-007RP	
0013-F3-3	009-005RP	007-007RP	0013-004RP	0013-007RP	
0013-F3-4	009-005RP	007-007RP	0013-004RP	0013-007RP	
0013-F3-IFC	009-028RP	007-007RP	0013-004RP	0013-007RP	0011-018RP
0013-F3A	009-005RP	007-007RP	0013-003RP	0013-007RP	
0013-F3A-IFC	009-005RP	007-007RP	0013-003RP	0013-007RP	0012-021RP
0013-F3U	009-005RP	007-007RP	0013-003RP	0013-007RP	
0013-F3Y	009-005RP	007-007RP	0013-003RP	0013-007RP	
0013-F3Y-1	009-005RP	007-007RP	0013-003RP	0013-007RP	
0013-F3Y-1IFC	009-028RP	007-007RP	0013-003RP	0013-007RP	0012-021RP
0013-F3Y-2	009-005RP	007-007RP	0013-003RP	0013-007RP	NA
0013-F3Y-IFC	009-028RP	007-007RP	0013-003RP	0013-007RP	0011-018RP
0013-G1Y-1JR	009-005RP	NA	0010-012RP	0011-010RP	
0013-G1Y-1JS	009-005RP	NA	0010-012RP	0011-010RP	
0013-G1Y-JR	009-005RP	NA	0011-003RP	0013-012RP	
0013-G1Y-JS	009-005RP	NA	0011-003RP	0013-012RP	
0013-SF3	009-005RP	007-007RP	0013-004RP	0013-008RP	NA
0013-SF3-1 (GRAINGER)	NA	007-066RP	NA	0013-009RP	
0013-SF3-IFC	009-028RP	007-007RP	0013-004RP	0013-008RP	0012-021RP
0013-SF3A	009-005RP	007-007RP	0013-003RP	0013-008RP	NA
0013-SF3A-IFC	009-005RP	007-007RP	0013-003RP	0013-008RP	0012-021RP
0013-SF3Y	009-005RP	007-007RP	0013-003RP	0013-008RP	NA
0013-SF3Y-1	009-005RP	007-007RP	0013-003RP	0013-008RP	NA
0013-SF3Y-IFC	009-005RP	007-007RP	0013-003RP	0013-008RP	0012-021RP
0013-VDTF3	009-028RP	007-007RP		0013-007RP	NA
0013-VDTSF3	009-028RP	007-007RP	NA	0013-008RP	NA
0013-VRBF3	009-005RP	007-007RP		0013-008RP	
0013-VRBF3-IFC	009-028RP	007-007RP		0013-008RP	0011-018RP
0013-VRF3	009-005RP	007-007RP		0013-007RP	
0013-VRF3-1IFC	009-028RP	007-007RP		0013-007RP	0012-021RP
0013-VRF3-IFC	009-028RP	007-007RP		0013-007RP	0011-018RP
0013-VRSF3	009-005RP	007-007RP		0013-008RP	NA
0013-VRSF3-IFC	009-028RP	007-007RP	NA	0013-008RP	0012-021RP
0013-VSBF3	009-028RP	007-007RP	NA	0013-008RP	NA
0013-VSBF3-IFC	009-028RP	007-007RP	NA	0013-008RP	0011-018RP
0013-VSF3-1IFC	009-028RP	007-007RP		0013-007RP	0012-021RP
0013-VSF3-IFC	009-028RP	007-007RP		0013-007RP	0011-018RP
0013-VSSF3	009-028RP	007-007RP	NA	0013-008RP	NA
0013-VSSF3-IFC	009-028RP	007-007RP	NA	0013-008RP	0012-021RP
0013-VVBF3	009-028RP	007-007RP	NA	0013-008RP	NA
0013-VVBF3-IFC	009-028RP	007-007RP	NA	0013-008RP	0011-018RP
0013-VVF3-1IFC	009-028RP	007-007RP		0013-007RP	0012-021RP
0013-VVF3-IFC	009-028RP	007-007RP		0013-007RP	0011-018RP
0013-VVSF3	009-028RP	007-007RP	NA	0013-008RP	NA
0013-VVSF3-IFC	009-028RP	007-007RP	NA	0013-008RP	0012-021RP
0013-ZBF3	009-005RP	007-007RP	NA	0013-008RP	
0013-ZF3	009-005RP	007-007RP	NA	0013-007RP	NA
0013-ZSF3	009-005RP	007-007RP	NA	0013-008RP	NA

**0014-**

<b>PUMP MODEL NUMBER</b>	<b>CASING O-RING</b>	<b>FLANGE GASKET SET</b>	<b>CAPACITOR or PC BOARD</b>	<b>CARTRIDGE ASSY. COMPLETE</b>	<b>VALVE ASSY. TRANS/RELAY</b>
0014-BF1	009-005RP	007-007RP	009-018RP	0014-003RP	
0014-BF1-1 (GRAINGER)	NA	007-066RP	NA	0014-005RP	
0014-BF1-IFC	009-028RP	007-007RP	009-018RP	0014-003RP	0011-018RP
0014-BF1-J	009-005RP	007-007RP	009-018RP	0014-003RP	
0014-BF1A	009-005RP	007-007RP	009-018RP	0014-003RP	
0014-BF1Y	009-005RP	007-007RP	009-018RP	0014-003RP	
0014-BF1Y-1JIFC	009-005RP	007-007RP	009-018RP	0014-003RP	0011-018RP
0014-F1	009-005RP	007-007RP	009-018RP	0014-004RP	
0014-F1-1 (GRAINGER)	NA	007-066RP	NA	0014-006RP	
0014-F1-1IFC	009-028RP	007-007RP	009-018RP	0014-004RP	0012-021RP
0014-F1-2	009-005RP	007-007RP	009-018RP	0014-010RP	NA
0014-F1-IFC	009-028RP	007-007RP	009-018RP	0014-004RP	0011-018RP
0014-F1A	009-005RP	007-007RP	009-018RP	0014-004RP	
0014-F1U	009-028RP	007-007RP	0010-012RP	0014-011RP	NA
0014-F1Y	009-005RP	007-007RP	009-018RP	0014-004RP	
0014-F1Y-1IFC	009-005RP	007-007RP	009-018RP	0014-004RP	0012-021RP
0014-F1Y-IFC	009-005RP	007-007RP	009-018RP	0014-004RP	0011-018RP
0014-SF1	009-005RP	007-007RP	009-018RP	0014-003RP	NA
0014-SF1-1 (GRAINGER)	NA	007-066RP	NA	0014-005RP	NA
0014-SF1-IFC	009-028RP	007-007RP	009-018RP	0014-003RP	0012-021RP
0014-SF1A	009-005RP	007-007RP	009-018RP	0014-003RP	NA
0014-SF1A-IFC	009-005RP	007-007RP	009-018RP	0014-003RP	0012-021RP
0014-SF1Y	009-005RP	007-007RP	009-018RP	0014-003RP	NA
0014-VDTF1	009-005RP	007-007RP	NA	0014-004RP	NA
0014-VRBF1	009-005RP	007-007RP		0014-003RP	
0014-VRF1	009-005RP	007-007RP		0014-004RP	
0014-VRF1-1IFC	009-028RP	007-007RP	NA	0014-004RP	0012-021RP
0014-VRF1-IFC	009-028RP	007-007RP		0014-004RP	0011-018RP
0014-VRSF1	009-005RP	007-007RP	NA	0014-003RP	NA
0014-VSBF1	009-005RP	007-007RP	NA	0014-003RP	NA
0014-VSF1	009-005RP	007-007RP	NA	0014-004RP	NA
0014-VSF1-1IFC	009-028RP	007-007RP	NA	0014-004RP	0012-021RP
0014-VSSF1	009-005RP	007-007RP	NA	0014-003RP	NA
0014-VVBF1	009-005RP	007-007RP	NA	0014-003RP	NA
0014-VVF1	009-005RP	007-007RP	NA	0014-004RP	NA
0014-VVF1-1IFC	009-028RP	007-007RP	NA	0014-004RP	0012-021RP
0014-VVSF1	009-005RP	007-007RP	NA	0014-003RP	NA
0014-ZBF1	009-005RP	007-007RP	NA	0014-003RP	
0014-ZBF1-1	009-005RP	007-007RP	NA	0014-003RP	
0014-ZBF1-2	009-005RP	007-007RP	NA	0014-003RP	
0014-ZBF1-IFC	009-005RP	007-007RP	NA	0014-003RP	0011-018RP
0014-ZF1	009-005RP	007-007RP	NA	0014-004RP	
0014-ZF1-1	009-005RP	007-007RP	NA	0014-004RP	
0014-ZF1-1IFC	009-005RP	007-007RP	NA	0014-004RP	0012-021RP
0014-ZF1-2	009-005RP	007-007RP	NA	0014-004RP	
0014-ZF1-IFC	009-005RP	007-007RP	NA	0014-004RP	0011-018RP
0014-ZSF1	009-005RP	007-007RP	NA	0014-003RP	NA
0014-ZSF1-IFC	009-005RP	007-007RP	NA	0014-003RP	

# 0015

PUMP MODEL NUMBER	CASING O-RING	FLANGE GASKET SET	CAPACITOR or PC BOARD	CARTRIDGE ASSY. COMPLETE	VALVE ASSY. TRANS/RELAY
0015-BF1-1JIFC	00R-001RP	007-007RP	007-002RP	0015-001RP	0010-025RP
0015-BF2-1JIFC	00R-001RP	007-007RP	007-002RP	0015-001RP	0010-025RP
0015-BF2-2JIFC	00R-001RP	007-007RP	007-002RP	0015-001RP	0010-025RP
0015-MSF1-1IFC	00R-001RP	007-007RP	007-002RP	00R-005RP	0010-025RP
0015-MSF1-IFC	00R-001RP	007-007RP	007-002RP	00R-005RP	0010-025RP
0015-MSF2	00R-001RP	007-007RP	007-002RP	00R-005RP	NA
0015-MSF2-1IFC	00R-001RP	007-007RP	007-002RP	00R-005RP	0010-025RP
0015-MSF2-2IFC	00R-001RP	007-007RP	007-002RP	00R-005RP	0010-025RP
0015-MSF2-IFC	00R-001RP	007-007RP	007-002RP	00R-005RP	0010-025RP
0015-MSSF2-1IFC	00R-001RP	007-007RP	007-002RP	0015-001RP	0010-025RP
0015-MSSF2-IFC	00R-001RP	007-007RP	007-002RP	0015-001RP	0010-025RP
0015-S3	00R-001RP	007-007RP	007-002RP	0015-001RP	0010-025RP

**Do it Once. Do it Right.®**

**TACO, INC.**, 1160 Cranston Street, Cranston, RI 02920 Telephone: (401) 942-8000 FAX: (401) 942-2360.  
**TACO (Canada), Ltd.**, 8450 Lawson Road, Unit #3, Milton, Ontario L9T 0J8. Telephone: 905/564-9422. FAX: 905/564-9436.

Visit our web site at: <http://www.taco-hvac.com>

Printed in USA  
 Copyright 2012  
 TACO, Inc.