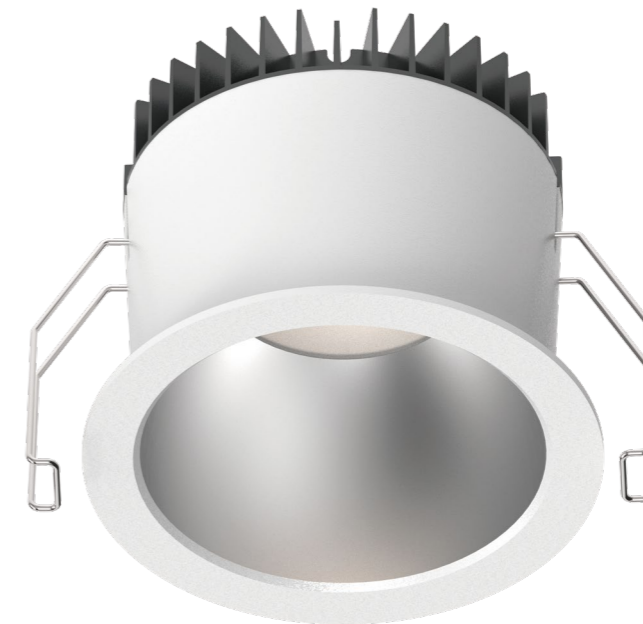


UGR <19
Efficiency up to 140Lm/W

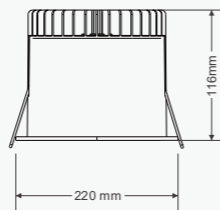
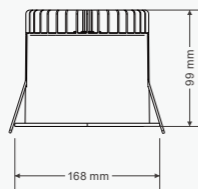
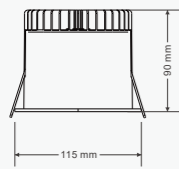
IP54

The product is efficient at various heights,
available with different lumen packages and beam angles.



TESLA

TESLA is a series of compact downlight,
which keeps an excellent balance between super light comfort and high efficiency.



TS4

TS6

TS8

Available in Jan 2024

Order Information

Code	LED Power	System Wattage	CRI	CCT	BEAM	System Output	System Efficacy
TS4-8W-830	8W	10W	Ra>80	3000K	60°	1200 lm	120 lm/W
TS4-8W-840	8W	10W	Ra>80	4000K	60°	1300 lm	130 lm/W
TS4-11W-830	11W	13W	Ra>80	3000K	60°	1700 lm	130 lm/W
TS4-11W-840	11W	13W	Ra>80	4000K	60°	1800 lm	138 lm/W
TS6-12W-830	12W	14W	Ra>80	3000K	60°	1800 lm	128 lm/W
TS6-12W-840	12W	14W	Ra>80	4000K	60°	1900 lm	135 lm/W
TS6-18W-830	18W	20W	Ra>80	3000K	60°	2600 lm	130 lm/W
TS6-18W-840	18W	20W	Ra>80	4000K	60°	2700 lm	135 lm/W
TS6-24W-830	24W	26W	Ra>80	3000K	60°	3300 lm	127 lm/W
TS6-24W-840	24W	26W	Ra>80	4000K	60°	3500 lm	135 lm/W
TS8-26W-830	26W	28W	Ra>80	3000K	60°	3500 lm	125 lm/W
TS8-26W-840	26W	28W	Ra>80	4000K	60°	3900 lm	140 lm/W
TS8-30W-830	30W	33W	Ra>80	3000K	60°	4100 lm	124 lm/W
TS8-30W-840	30W	33W	Ra>80	4000K	60°	4600 lm	140 lm/W

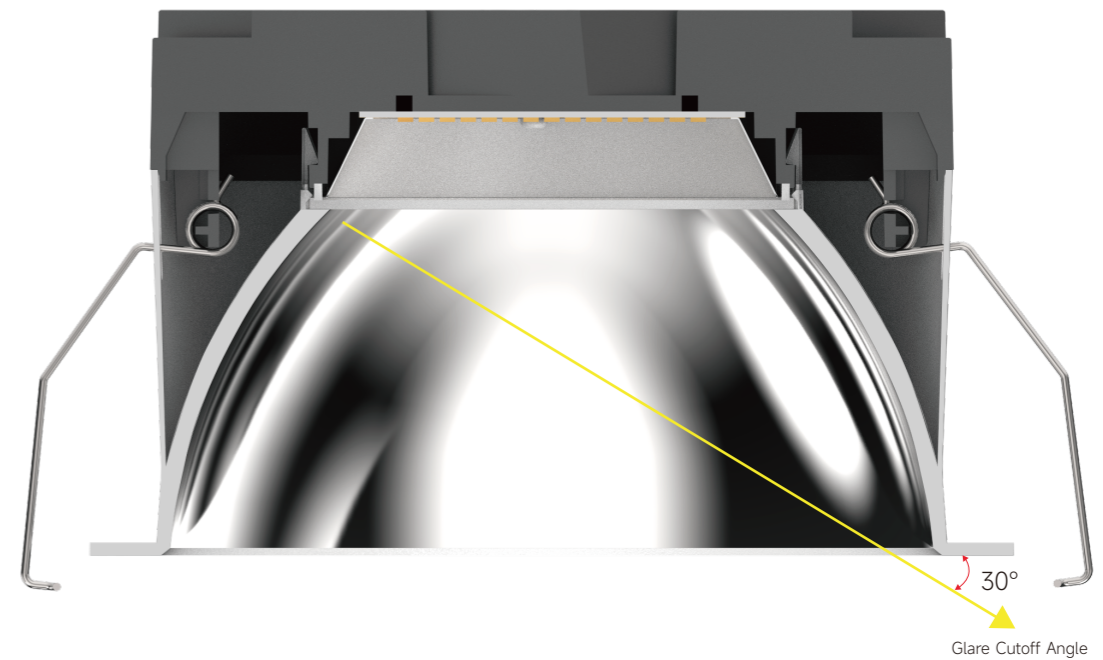
TESLA

High-flux PCB LED modules, mid-power SMD LED.

High quality diffuser reaches the higher efficiency and less glare value.

Polycarbonate body with vacuum plated inner reflector surface and die-cast aluminium heat sink.

The light source is deeply integrated for glare control with 30° shielding angle.



Inner Reflector Surface

