

### Model No.: GPCR2032

**Description** : Flat Lithium Battery  
**Chemical System** : Lithium Manganese Dioxide  
**Nominal Voltage** : 3.0 V  
**Nominal Capacity** : 220mAh(Load Resistance: 15kΩ, Cutoff Voltage:2.0V at 20±2°C)  
 170hours (Load Resistance: 3kΩ, Cutoff Voltage:2.0V at 20±2°C)  
 It is the maximum current discharging test for reference only.)

Refer to IEC60068-1 5.3, it is acceptable if the average data  $\geq$  above and no more than one battery less than 80% in total 9 pcs tested sample.

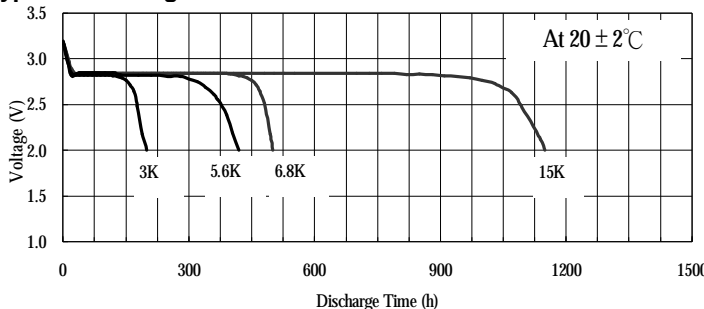
**Maximum Discharge Current** : 2.0mA

**Dimensions** :  $\Phi$  20.0 \*3.2 mm

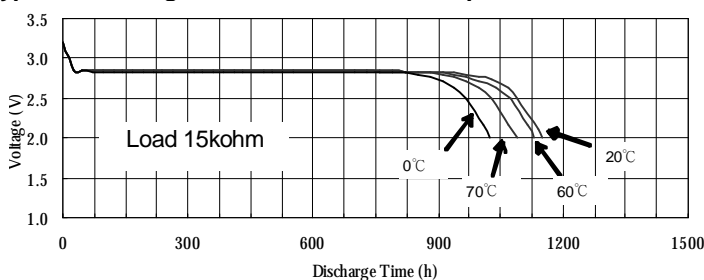
**Weight** : 3.0 grams

**Application** : Computers, Calculators, Meters, Radios

#### Typical Discharge Characteristics On Load

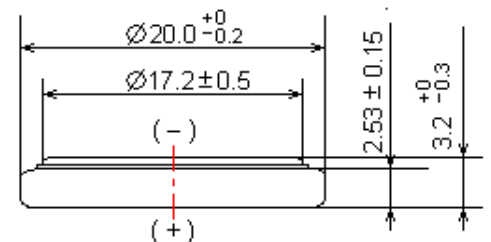
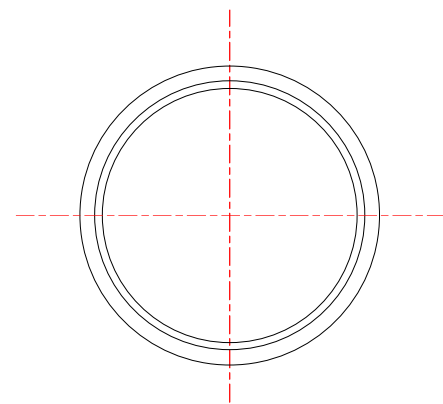


#### Typical Discharge Characteristics On Temperature



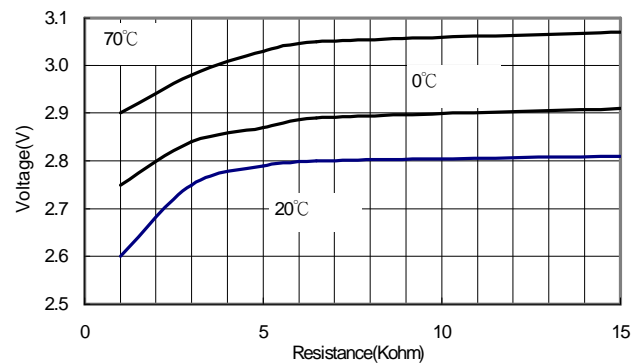
#### Note:

- 1) No added Mercury / 99.9999% Mercury Free
- 2) No added Lead / 99.999% Lead Free
- 3) No added Cadmium / 99.9999% Cadmium Free
- 4) No added PFOS (Perfluorooctane sulfonates)
- 5) This battery complies with ANSI C18, IEC 60086, and EEC Directive 2006/66/EC
- 6) Batteries are NOT subject to European RoHS regulations.
- 7) Primary Batteries (non-Rechargeable) are not subject to China RoHS regulations.
- 8) Store lithium coin cells out of sight and reach of young children.
- 9) Make certain the battery compartment of every household product is securely closed and child-resistant (for example screwed shut), and/or the product is stored out of the reach of young children.



Unit : mm

#### Typical Operating Voltage vs. Load Resistance (50% discharge depth)



The information (subject to change without prior notice) contained in this document is for reference only and should not be used as a basis for product guarantee or warranty. For applications other than those described here, please consult your nearest GP Sales and Marketing Office or Distributors.