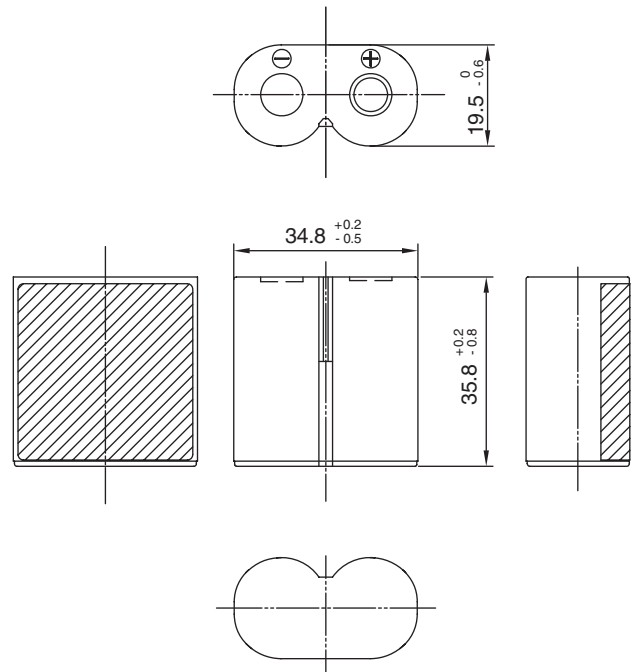


Model No.: **GPCR-P2**

<b>Description</b>	: Lithium Battery
<b>Chemical System</b>	: Lithium Manganese Dioxide
<b>Nominal Voltage</b>	: 6.0 Volts
<b>Nominal Capacity</b>	: 1400mAh @ 10mA to 4.0V at 23°C
<b>Dimensions</b>	: 34.8(L) x 19.5(W) x 35.8(H)mm
<b>Terminals</b>	: Flat, Connector
<b>Jacket</b>	: Plastic Case
<b>Shelf Life</b>	: 10 years
<b>Average Weight</b>	: App. 37g
<b>Application</b>	: Photo

### Cross References:

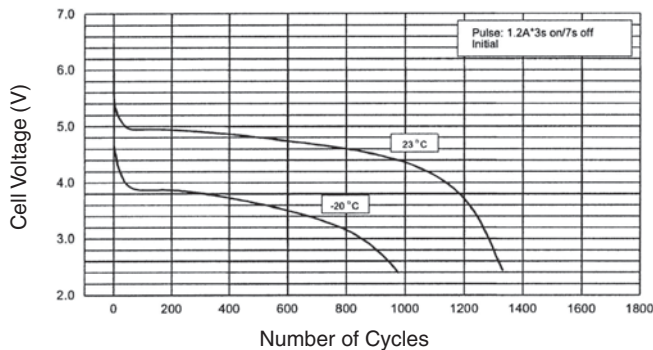
GP	IEC	Eveready	Duracell
CR-P2	CR-P2	EL223AP	DL223A



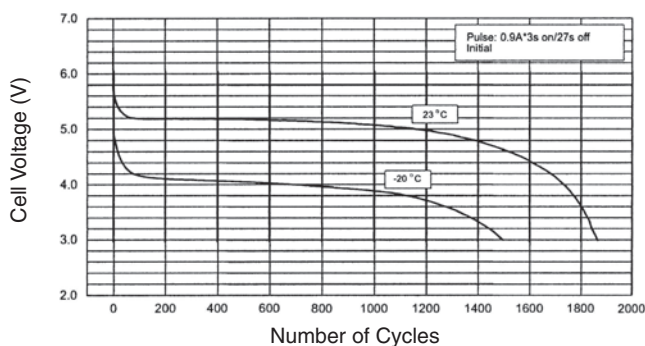
Label Area

Unit : mm

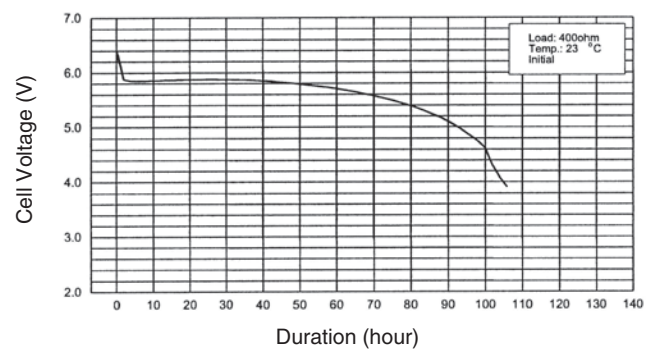
### Pulse Discharge Characteristics of CR-P2



### Pulse Discharge Characteristics of CR-P2



### Discharge Characteristics of CR-P2



The information (subject to change without prior notice) contained in this document is for reference only and should not be used as a basis for product guarantee or warranty. For applications other than those described here, please consult your nearest GP Sales and Marketing Office or Distributors.