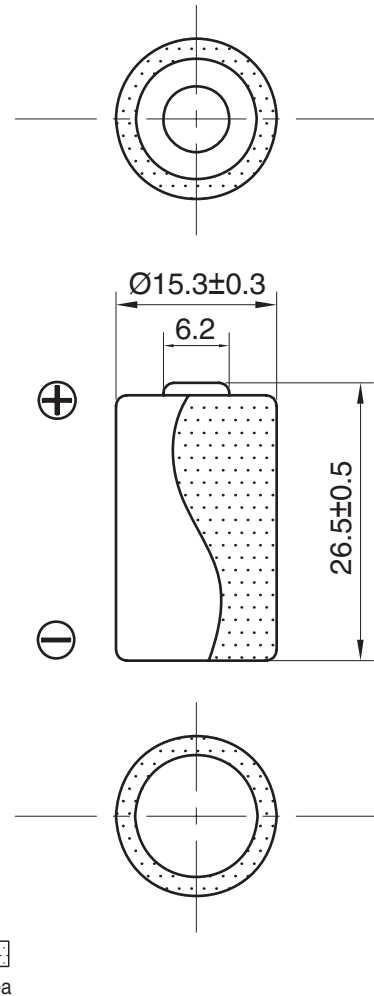


Model No.: **GPCR2**

<b>NO MERCURY ADDED</b>	
<b>Description</b>	: Lithium Battery
<b>Chemical System</b>	: Lithium Manganese Dioxide
<b>Nominal Voltage</b>	: 3.0 Volts
<b>Nominal Capacity</b>	: 800mAh @ 10mA to 1.8V at 23°C
<b>Nominal Dimensions</b>	: $\varnothing 15.3$ mm x 26.5 mm
<b>Terminals</b>	: Flat
<b>Jacket</b>	: PVC Resin Label
<b>Shelf Life</b>	: up to 10 years
<b>Average Weight</b>	: App. 10g
<b>Application</b>	: Photo
<b>Operating Temperature</b>	: -40°C to 60°C
<b>Storage Temperature</b>	: 10°C to 30°C and less than 60% relative humidity

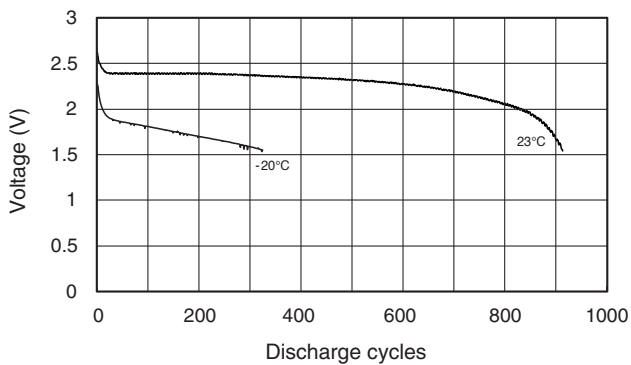
### Cross References:

GP	Duracell
CR2	DLCR2

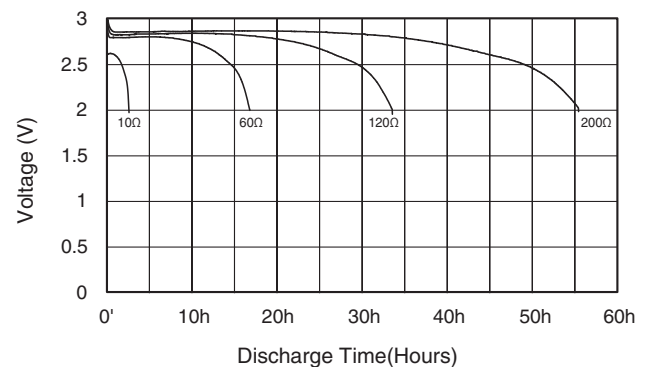


Unit : mm

**Discharge Characteristics**  
900mA, 3 seconds on / 27 seconds off



**Continuous Discharge at 23°C**



The information (subject to change without prior notice) contained in this document is for reference only and should not be used as a basis for product guarantee or warranty. For applications other than those described here, please consult your nearest GP Sales and Marketing Office or Distributors.

[www.gpbatteries.com](http://www.gpbatteries.com)

Manufacturer reserves the right to alter or amend the design, model and specification without prior notice.  
Copyright © GPI International Ltd. - All rights reserved

Member  
Gold Peak Group

01140114005