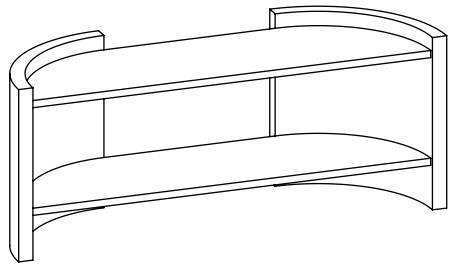
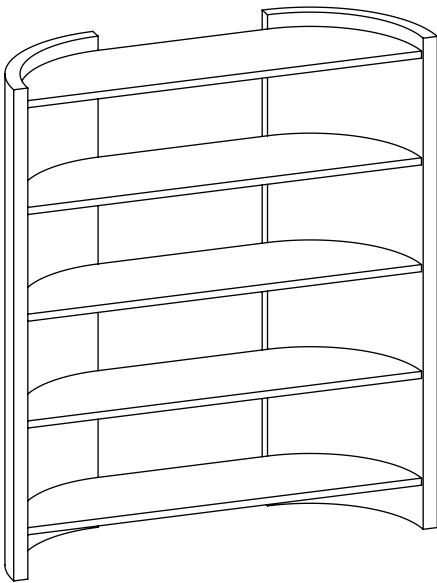


Audo

COPENHAGEN



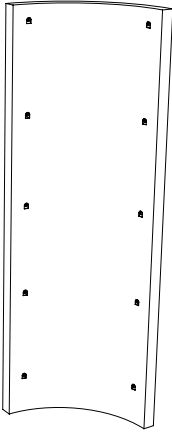
CRESCENT SHELVING COLLECTION
Designed by *Colin King*

Congratulations with your new
CRESCENT SHELF designed by Colin King.

We hope you will enjoy using this item and follow
these instructions to ensure correct assembly.

These instructions are provided for your safety.
It is important that the instructions are read carefully
and completely before assembling.

Component overview



2 X SIDEBOARD



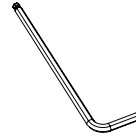
20(8) X SHELF
BRACKETS



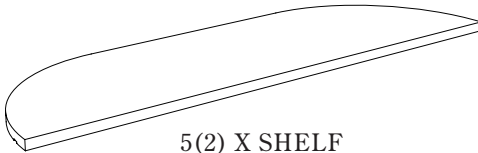
4 X ADJUSTABLE
FEET



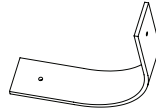
40(16) X SCREWS
M6*15



1 X ALLEN KEY



5(2) X SHELF



2 X WALL MOUNTING STRIPS



Attention

This assembly instruction applies to the entire Crescent Shelving collection.
The Crescent Tall is shown as an example.

Please ensure that all assembly is done on a soft and flat surface, to ensure that the components will not be damaged/scratched. During assembly of the base, loosely tighten screws. When all screws are in place, you may then tighten the screws completely.

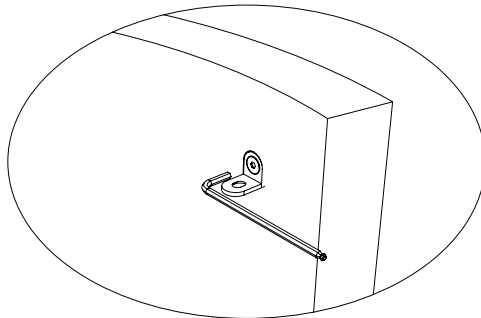
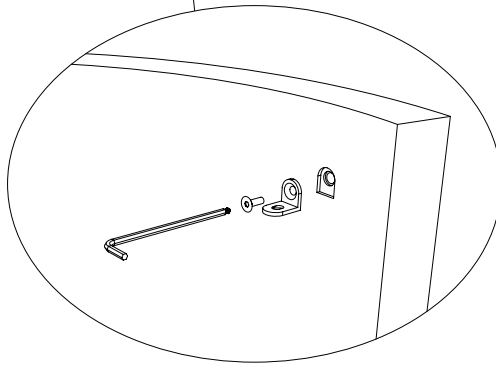
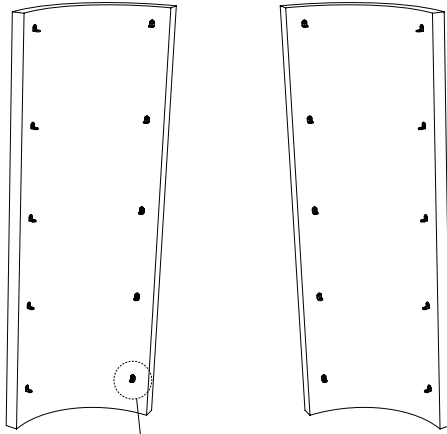
Caution

This product is designed to be securely attached to the wall to prevent tipping and possible damage. It is the user's responsibility to ensure that the product is mounted correctly in accordance with the instructions provided and using appropriate fixing brackets. The manufacturer accepts no liability for damage or accidents arising from improper use, lack of fastening, or incorrect installation of the product. By using this product, the user accepts all risks associated with its installation and use. The manufacturer disclaims any liability for personal injury, death, property damage or other losses that may result from failure to follow the accompanying safety instructions and warnings. Any warranty obligation is void in the event of faulty installation or failure to fasten to the wall

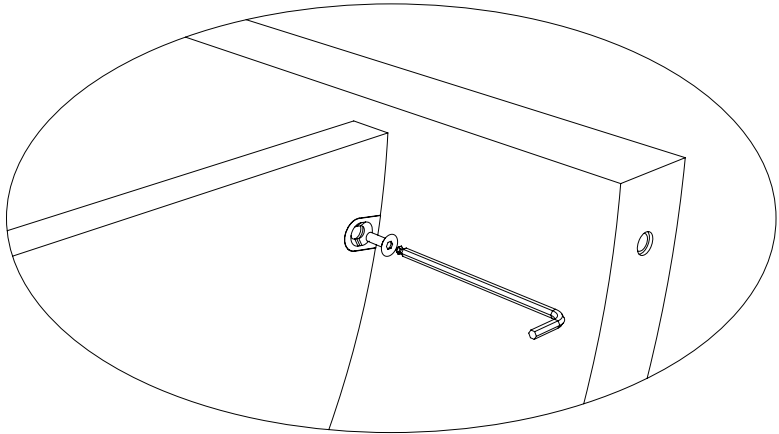
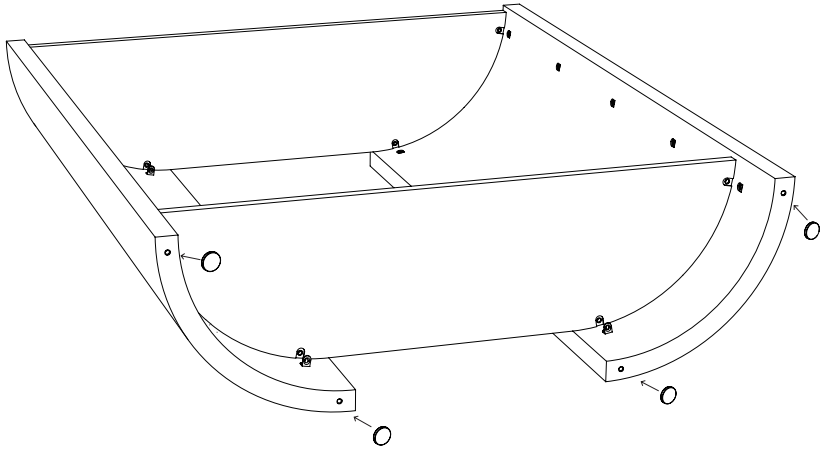
Care and maintenance

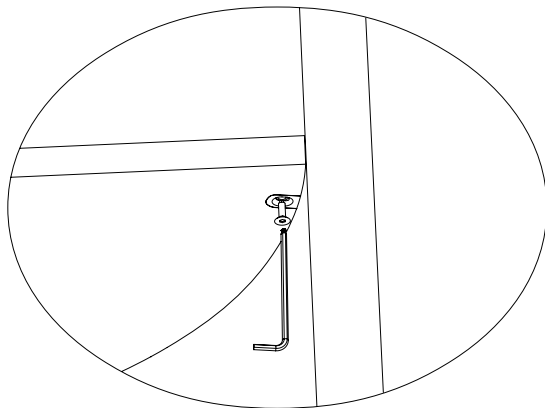
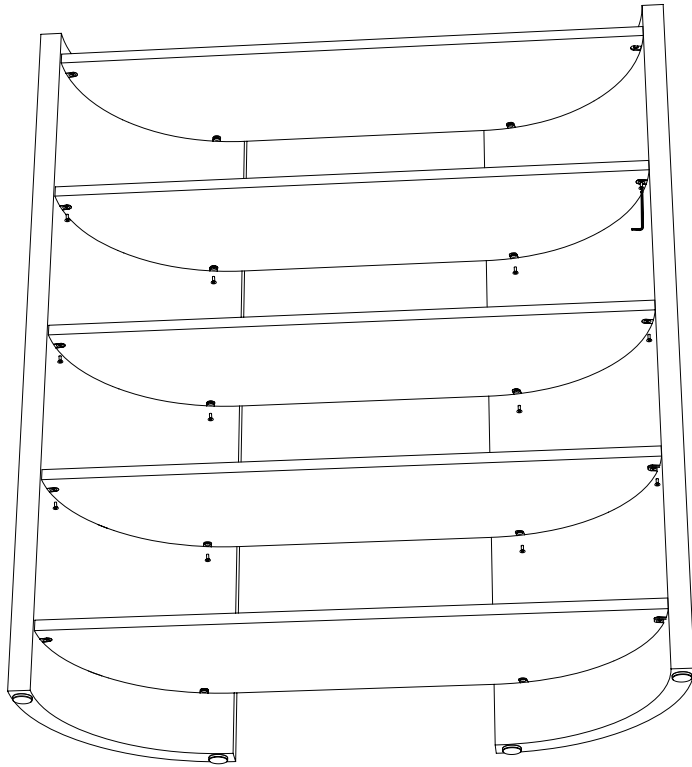
Please see care instructions on www.audocph.com.

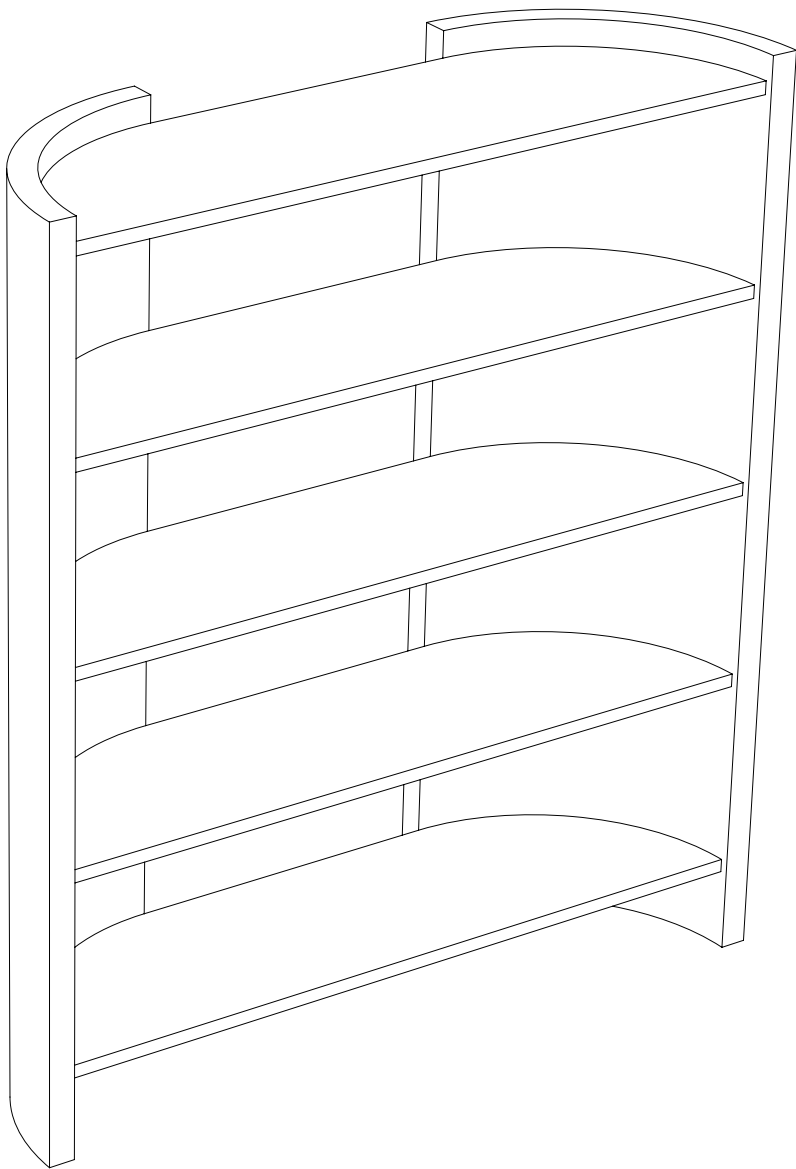
1



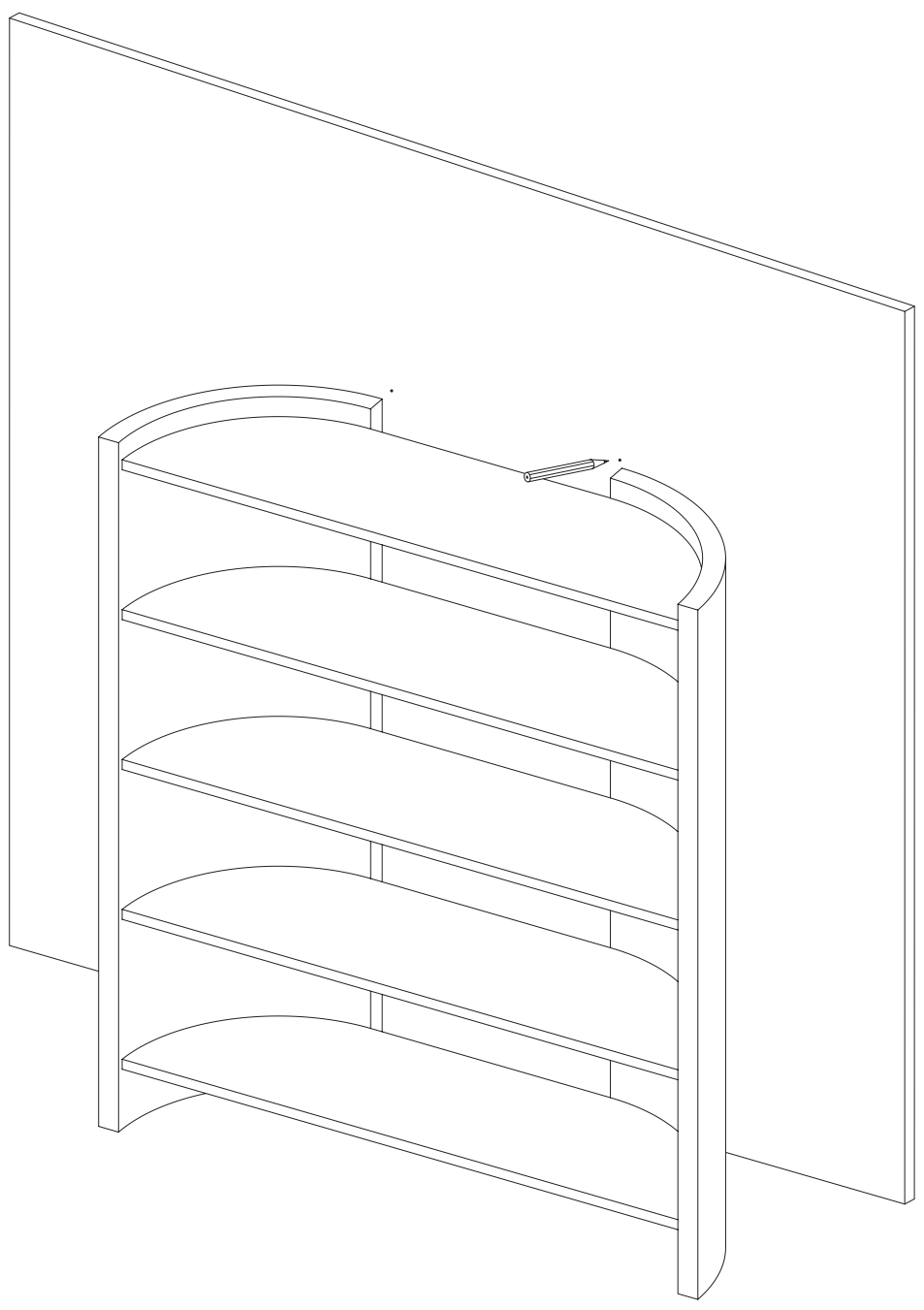
2



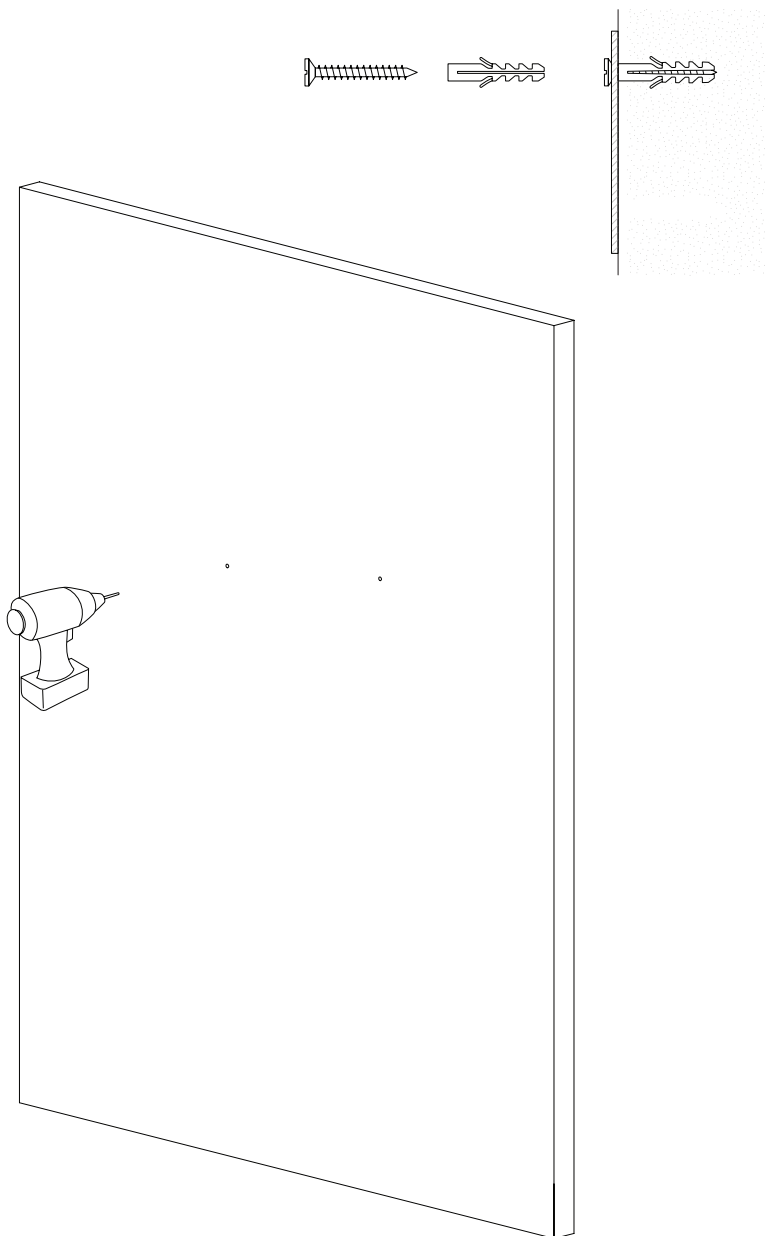




5



6



7

