



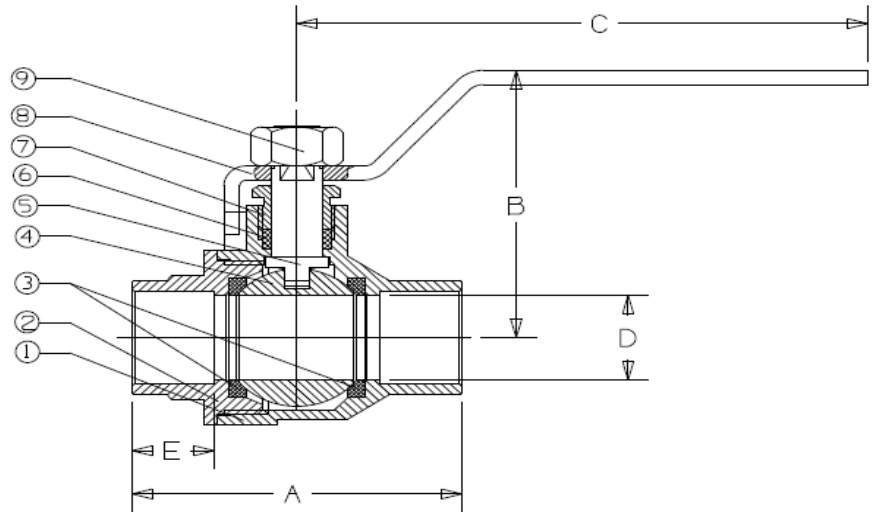
H-x070 Series

Full Port Forged Brass Ball Valve
w/ Adjustable Packing Gland

Certifications
ANSI Z21.15/CSA 9.1



NO.	DESCRIPTION	MATERIAL
1	Body	Brass
2	End Cap	Brass
3	Ball Seat	PTFE
4	Ball	Brass
5	Stem	Brass
6	Stem Packing	PTFE
7	Packing Gland	Brass
8	Handle	Steel
9	Handle Nut	Steel



Designed for residential, commercial, or industrial use with water, oil, or gas. This approved Webstone valve is actuated by a blowout proof stem and features an adjustable packing gland. Threaded ends comply with ANSI B1.20.1. ANSI Z21.15/CSA 9.1 certification applies to threaded models only; up to 1/2 PSI.

ITEM#	Connection Type	SIZE (in)	Max Temp	Pressure Rating	A	B	C	D	E
H-40702	FIP	1/2	200°F Max	600 PSI CWP MAX	2.05	1.94	3.54	0.58	0.52
H-40703	FIP	3/4	200°F Max	600 PSI CWP MAX	2.36	2.11	3.78	0.75	0.56
H-40704	FIP	1	200°F Max	600 PSI CWP MAX	2.76	2.58	4.53	0.95	0.63
H-40705	FIP	1 1/4	200°F Max	600 PSI CWP MAX	3.31	2.96	4.53	1.26	0.77
H-40706	FIP	1 1/2	200°F Max	600 PSI CWP MAX	3.66	3.37	5.51	1.58	0.72
H-40707	FIP	2	200°F Max	600 PSI CWP MAX	4.18	3.70	5.51	1.97	0.75
H-50702	SWT	1/2	200°F Max	600 PSI CWP MAX	1.99	1.85	3.74	0.59	0.50
H-50703	SWT	3/4	200°F Max	600 PSI CWP MAX	2.74	2.09	3.94	0.79	0.75
H-50704	SWT	1	200°F Max	600 PSI CWP MAX	3.35	2.56	4.33	0.98	0.91
H-50705	SWT	1 1/4	200°F Max	600 PSI CWP MAX	3.80	2.68	5.00	1.26	0.96
H-50706	SWT	1 1/2	200°F Max	600 PSI CWP MAX	4.42	3.15	6.18	1.57	1.10
H-50707	SWT	2	200°F Max	600 PSI CWP MAX	5.34	3.46	6.18	1.97	1.34



H-x070W Series

Full Port Forged DZR Brass Ball Valve
w/ Adjustable Packing Gland

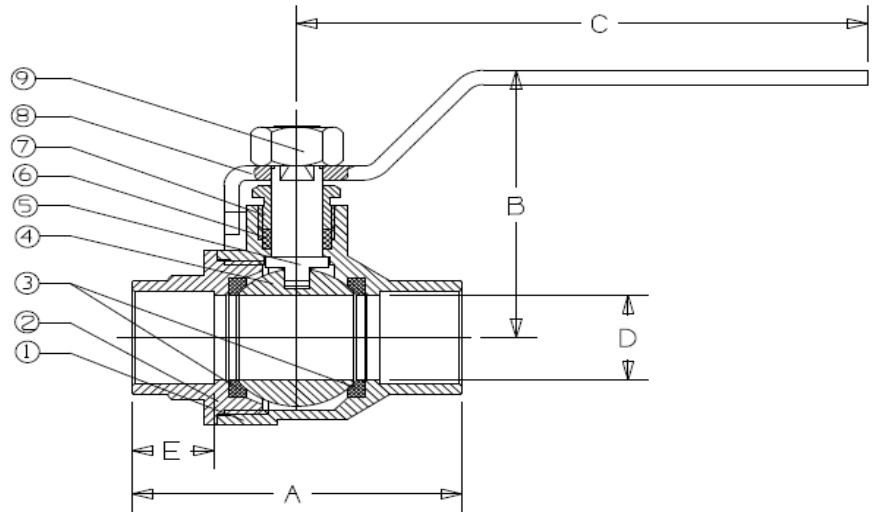
Certifications

Certified to NSF/ANSI 61 - ANSI Z21.15/CSA 9.1

Lead-Free



NO.	DESCRIPTION	MATERIAL
1	Body	Lead-Free DZR Brass
2	End Cap	Lead-Free DZR Brass
3	Ball Seat	PTFE
4	Ball	Lead-Free DZR Brass
5	Stem	Brass
6	Stem Packing	PTFE
7	Packing Gland	Brass
8	Handle	Steel
9	Handle Nut	Steel



Designed for residential, commercial, or industrial use with water, oil, or gas. This approved Webstone valve is actuated by a blowout proof stem and features an adjustable packing gland. Threaded ends comply with ANSI B1.20.1. ANSI Z21.15/CSA 9.1 certification applies to threaded models only; up to 1/2 PSI.

ITEM#	Connection Type	SIZE (in)	Max Temp	Pressure Rating	A	B	C	D	E
H-40702W	FIP	1/2	200 °F Max	600 PSI CWP MAX	2.05	1.94	3.54	0.58	0.52
H-40703W	FIP	3/4	200 °F Max	600 PSI CWP MAX	2.36	2.11	3.78	0.75	0.56
H-40704W	FIP	1	200 °F Max	600 PSI CWP MAX	2.76	2.58	4.53	0.95	0.63
H-40705W	FIP	1 1/4	200 °F Max	600 PSI CWP MAX	3.31	2.96	4.53	1.26	0.71
H-40706W	FIP	1 1/2	200 °F Max	600 PSI CWP MAX	3.66	3.37	5.51	1.58	0.72
H-40707W	FIP	2	200 °F Max	600 PSI CWP MAX	4.18	3.70	5.51	1.70	0.75
H-50702W	SWT	1/2	200 °F Max	600 PSI CWP MAX	1.99	1.85	3.74	0.59	0.50
H-50703W	SWT	3/4	200 °F Max	600 PSI CWP MAX	2.74	2.09	3.94	0.79	0.75
H-50704W	SWT	1	200 °F Max	600 PSI CWP MAX	3.35	2.56	4.33	0.98	0.91
H-50705W	SWT	1 1/4	200 °F Max	600 PSI CWP MAX	3.80	2.68	5.00	1.26	0.96
H-50706W	SWT	1 1/2	200 °F Max	600 PSI CWP MAX	4.42	3.15	6.18	1.57	1.10
H-50707W	SWT	2	200 °F Max	600 PSI CWP MAX	5.34	3.46	6.18	1.97	1.34



H-x070WSSW Series

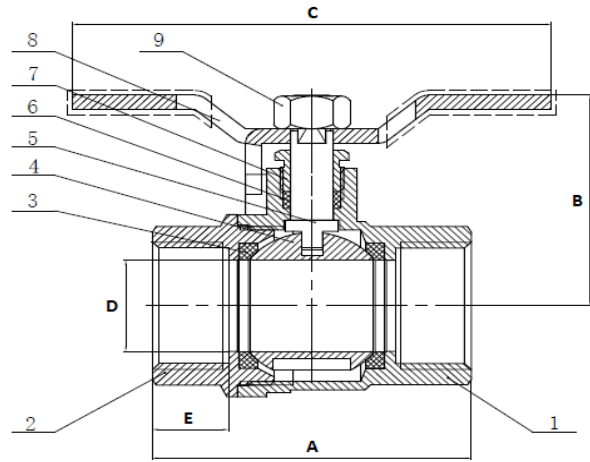
Full Port Forged DZR Brass Ball Valve
w/ Stainless Steel Wing Handle
& Adjustable Packing Gland

Certifications

Certified to NSF/ANSI 61 - ANSI Z21.15/CSA 9.1 (Applies to base model H-4070xW)
Lead-Free

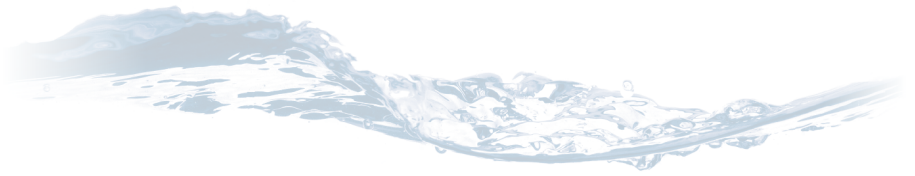


NO.	DESCRIPTION	MATERIAL
1	Body	Lead-Free DZR Brass
2	End Cap	Lead-Free DZR Brass
3	Ball Seat	PTFE
4	Ball	Lead-Free DZR Brass
5	Stem	Brass
6	Stem Packing	PTFE
7	Packing Gland	Brass
8	Handle	Stainless Steel
9	Handle Nut	Stainless Steel



Designed for residential, commercial, or industrial use with water, oil, or gas. This approved Webstone valve is actuated by a blowout proof stem and features an adjustable packing gland. Threaded ends comply with ANSI B1.20.1.

ITEM#	Connection Type	SIZE (in)	Max Temp	Pressure Rating	A	B	C	D	E
H-40702WSSW	FIP	1/2	200° F Max	600 PSI CWP MAX	2.05	1.46	2.95	0.58	0.52
H-40703WSSW	FIP	3/4	200° F Max	600 PSI CWP MAX	2.36	1.72	3.54	0.75	0.56
H-40704WSSW	FIP	1	200° F Max	600 PSI CWP MAX	2.76	1.96	3.94	0.94	0.63



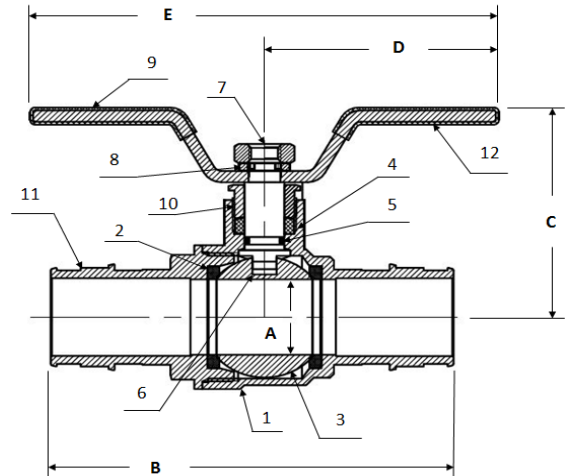
**Full Flow Forged DZR Brass Ball Valve
w/ Stainless Steel Wing Style "T" Handle
& Adjustable Packing Gland**

Certifications

Certified to NSF/ANSI 61 & 372 NSF/ANSI 14



NO.	DESCRIPTION	MATERIAL
1	Body	Lead Free Brass
2	Seat	PTFE
3	Ball	Stainless Steel
4	Packing	PTFE
5	O-Ring	NBR
6	Stem	Brass
7	Handle Nut	Stainless Steel
8	Lock Washer	Stainless Steel
9	Handle	Stainless Steel
10	Packing Nut	Brass
11	End Cap	Lead Free Brass
12	Handle Jacket	Vinyl



Designed for residential, commercial or industrial use with water, oil or gas. This approved Webstone valve is actuated by a blowout proof stem and features an adjustable packing gland. PEX end dimensions comply with the referenced ASTM specification.

ITEM#	Connection Type	SIZE (in)	Pressure Rating	Max Temp	A	B	C	D	E
H-11702WSSW	ASTM F1807 PEX	1/2	400 PSI CWP	250 F	0.35	2.45	1.75	2.00	4.00
H-11703WSSW	ASTM F1807 PEX	3/4	400 PSI CWP	250 F	0.53	2.56	1.88	2.00	4.00
H-11704WSSW	ASTM F1807 PEX	1	400 PSI CWP	250 F	0.71	3.18	2.25	2.40	4.75
H-14702WSSW	ASTM F1807 PEX x FIP	1/2	400 PSI CWP	250 F	0.35	2.18	1.75	2.00	4.00
H-14703WSSW	ASTM F1807 PEX x FIP	3/4	400 PSI CWP	250 F	0.53	2.35	1.88	2.00	4.00
H-14704WSSW	ASTM F1807 PEX x FIP	1	400 PSI CWP	250 F	0.71	2.85	2.25	2.40	4.75
H-31702WSSW	ASTM F1960 PEX	1/2	400 PSI CWP	250 F	0.39	2.63	1.75	2.00	4.00
H-31703WSSW	ASTM F1960 PEX	3/4	400 PSI CWP	250 F	0.61	3.25	1.88	2.00	4.00
H-31704WSSW	ASTM F1960 PEX	1	400 PSI CWP	250 F	0.81	4.00	2.25	2.40	4.75
H-31705WSSW	ASTM F1960 PEX	1 1/4	400 PSI CWP	250 F	0.96	4.64	2.25	2.40	4.75
H-31706WSSW	ASTM F1960 PEX	1 1/2	400 PSI CWP	250 F	1.10	5.51	2.50	3.12	6.25
H-31707WSSW	ASTM F1960 PEX	2	400 PSI CWP	250 F	1.58	6.91	3.25	3.12	6.25
H-34702WSSW	ASTM F1960 PEX x FIP	1/2	400 PSI CWP	250 F	0.39	2.25	1.75	2.00	4.00
H-34703WSSW	ASTM F1960 PEX x FIP	3/4	400 PSI CWP	250 F	0.61	2.63	1.88	2.00	4.00
H-34704WSSW	ASTM F1960 PEX x FIP	1	400 PSI CWP	250 F	0.81	3.38	2.25	2.40	4.75



THIS SPACE FOR DESIGNER/ENGINEER APPROVAL

Job/Customer _____	Date _____	Contractor _____
Model Specified _____	Qty _____	Approved By _____
Designer/Engineer _____	Date _____	Contractor's PO# _____
Submitted By _____	Date _____	Other _____

4063W Series

Forged Brass Ball Valve

w/ Compression Ends & Adjustable Packing Gland

Compression x Compression

600 WOG / 150 WSP

ISO 9001

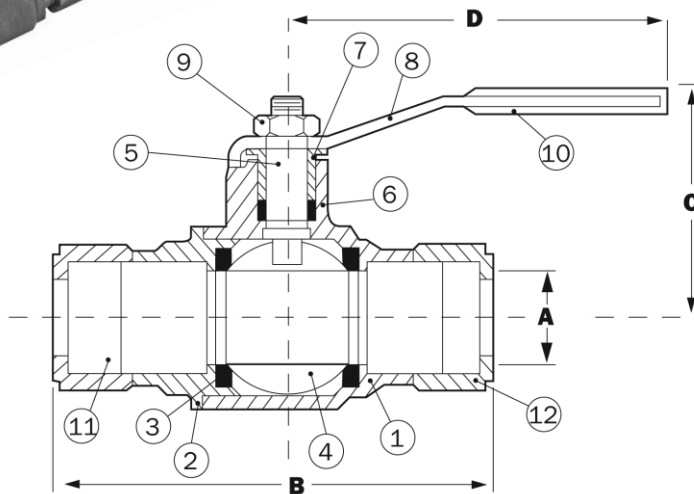
Lead free products are certified to NSF/ANSI 61-G



LEAD FREE ITEM #	SIZE	CTN	CASE	A	B	C	D	Cv
40632W	1/2"	25	100	1/2	2 15/16	2	3 1/2	11.5
40633W	3/4"	15	60	3/4	3 3/16	2 3/16	3 3/4	27.1
40634W	1"	10	40	1	4 1/8	2 5/8	4 5/8	49.3



NO.	DESCRIPTION	MATERIAL
1	BODY	BRASS
2	END CAP	BRASS
3	SEAT	PTFE
4	BALL	BRASS HCP
5	STEM	BRASS
6	STEM SEAL	PTFE
7	PACKING GLAND	BRASS
8	HANDLE	STEEL CP
9	HANDLE NUT	BRASS
10	HANDLE JACKET	VINYL
11	FERRULE	BRASS
12	COMPRESSION NUT	BRASS



TEMP °F	PSI
100	600
150	490
200	470
250	439
300	411
350	294
366	N/A

Specifications: Designed for residential, commercial or industrial use with water, oil or gas. This approved Webstone valve is actuated by a blowout proof stem and features an adjustable packing gland.

Webstone, a brand of NIBCO

Quality and Commitment Since 1954

www.webstonevalves.com · P: (800) 225-9529 · F: (800) 336-5133

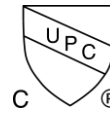
Webstone product specifications in U.S. customary units are approximate and are provided for reference only. Webstone reserves the right to change or modify product design, construction, specifications or materials without prior notice and without incurring any obligation to make such changes and modifications on Webstone products previously or subsequently sold.

4063-4063wspec_081313

THIS SPACE FOR DESIGNER/ENGINEER APPROVAL

Job/Customer _____	Date _____	Contractor _____
Model Specified _____	Qty _____	Approved By _____
Designer/Engineer _____	Date _____	Contractor's PO# _____
Submitted by _____	Date _____	Other _____

8170 Series
Full Port Forged Brass Ball Valve
w/ Adjustable Packing Gland
Press
250 CWP / 250°F Max



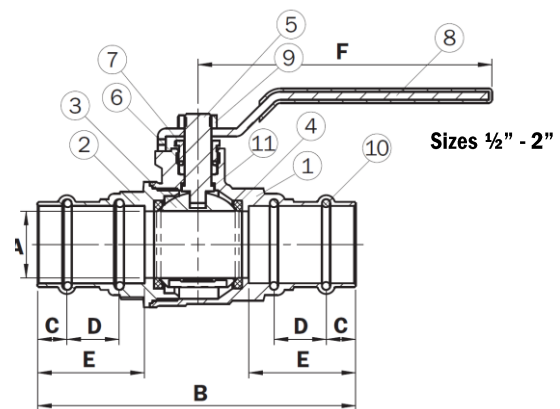
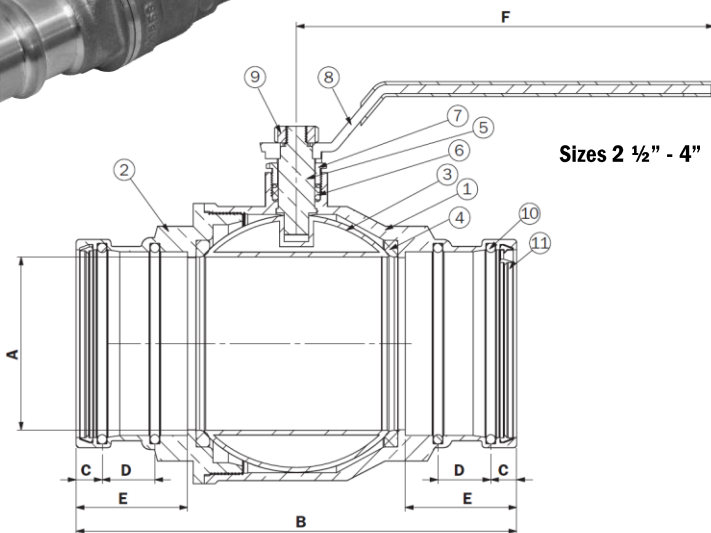
Standard brass products are certified to NSF/ANSI 61
 Lead free products are certified to NSF/ANSI 61 & NSF/ANSI 372

STANDARD BRASS ITEM #	LEAD FREE ITEM #	SIZE	CTN/CASE	A	B	C	D	E	F
81702	81702W	1/2"	5/50	1/2	3 3/4	7/16	5/8	1 3/8	3 3/4
81703	81703W	3/4"	5/40	3/4	4 7/16	7/16	3/4	1 9/16	3 3/4
81704	81704W	1"	4/20	1	4 11/16	7/16	3/4	1 9/16	4 5/16
81705	81705W	1 1/4"	5/20	1 1/4	5 5/8	7/16	3/4	1 11/16	5 1/8
81706	81706W	1 1/2"	4/16	1 1/2	5 7/8	1/2	7/8	1 7/8	5 1/8
81707	81707W	2"	2/8	2	7	5/8	1	2 2/16	6 5/16
--	81708W	2 1/2"	1/1	2 1/2	7	5/8	7/8	1 7/8	9 7/16
--	81709W	3"	1/1	3	8 1/8	5/8	7/8	2 1/8	9 7/16
--	81710W	4"	1/1	4	10	5/8	1 3/16	2 1/2	9 7/16



TEMP °F	PSI
100	250
250	200

NO.	DESCRIPTION	MATERIAL
1	Body	No Lead Brass
2	End Cap	No Lead Brass
3	Ball	Brass CP (1/2" - 2") Stainless Steel (2 1/2" - 4")
4	Seat	PTFE
5	Stem	No Lead Brass (1/2" - 2") Stainless Steel (2 1/2" - 4")
6	Packing Gland	PTFE
7	Packing Nut	Brass
8	Handle	Steel CP
9	Hex Nut	Stainless Steel
10	O-Ring	EPDM
11	Sealing Ring (1/2" - 2") Compression Ring (2 1/2" - 4")	PTFE Steel CP



Specifications: Designed for residential, commercial or industrial use with water only. This approved Webstone valve is actuated by a blowout proof stem and features an adjustable packing gland. Items larger than 2" are outfitted with an XLC compatible end.

Webstone, a brand of NIBCO

Quality and Commitment Since 1954

www.webstonevalves.com · P: (800) 225-9529 · F: (800) 336-5133

Webstone product specifications in U.S. customary units are approximate and are provided for reference only. Webstone reserves the right to change or modify product design, construction, specifications or materials without prior notice and without incurring any obligation to make such changes and modifications on Webstone products previously or subsequently sold.

8170-8170Wspec_040114

THIS SPACE FOR DESIGNER/ENGINEER APPROVAL

Job/Customer _____	Date _____	Contractor _____
Model Specified _____	Qty _____	Approved By _____
Designer/Engineer _____	Date _____	Contractor's PO# _____
Submitted by _____	Date _____	Other _____

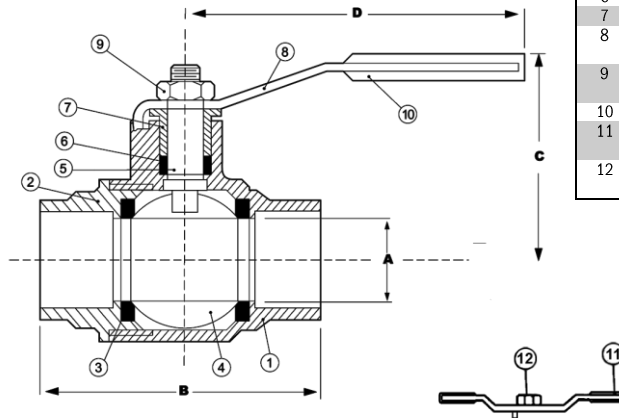
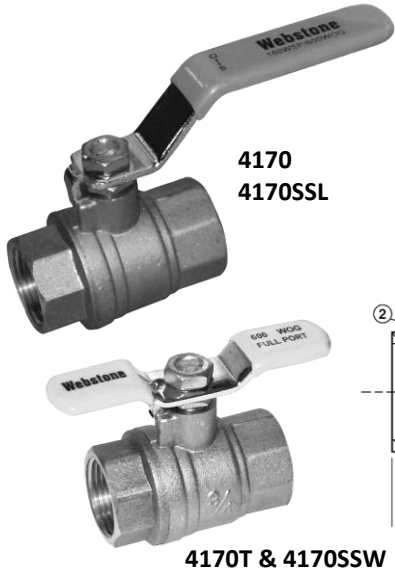
4170 Series

**Full Port Forged Brass Ball Valves
w/ Adjustable Packing Gland
IPS
600 WOG / 150 WSP (400 WOG for 2 1/2" - 4")**

1/4" - 2" Standard brass products are certified to NSF/ANSI 61
1/4" - 2" Lead free products are certified to NSF/ANSI 61-G



Standard Brass Item#	Lead Free Item #	SIZE	CTN	CASE	A	B	C	D	Cv
w/ CHROME PLATED LEVER HANDLE									
41700	41700W	1/4	10	100	1/4	1 3/4	1 1/2	3 9/16	7.7
41701	41701w	3/8	10	100	3/8	1 3/4	1 11/16	3 9/16	7.7
41702	41702W	1/2	10	80	1/2	2 1/8	1 11/16	3 9/16	14.7
41703	41703w	3/4	10	60	3/4	2 3/8	2 1/16	3 13/16	28.4
41704	41704W	1	6	36	1	2 7/8	2 3/8	4 1/2	56.0
41705	41705W	1 1/4	6	24	1 1/4	3 5/16	2 5/8	4 1/2	113.2
41706	41706W	1 1/2	2	16	1 1/2	3 11/16	3 1/16	5 1/2	161.8
41707	41707W	2	2	12	2	4 1/8	3 11/16	5 1/2	243.8
41708	41708W	2 1/2	1	6	2 1/2	5 5/16	4 9/16	8 5/8	267.3
41709	41709W	3	1	4	3	5 7/8	4 13/16	8 5/8	412.7
41710	41710W	4	1	2	4	7 1/16	5 7/16	9 5/8	550.2
w/ 304 STAINLESS STEEL HANDLE									
41702SSL	41702WSSL	1/2	10	80	1/2	2 1/8	1 11/16	3 9/16	14.7
41703SSL	41703WSSL	3/4	10	60	3/4	2 1/4	2 1/16	3 13/16	28.4
41704SSL	41704WSSL	1	6	36	1	2 7/8	2 3/8	4 1/2	56.0
41705SSL	41705WSSL	1 1/4	6	24	1 1/4	3 2/8	2 5/8	4 1/2	113.2
41706SSL	41706WSSL	1 1/2	2	16	1 1/2	3 5/8	3 1/16	5 1/2	161.8
41707SSL	41707WSSL	2	2	12	2	4 1/8	3 11/16	5 1/2	243.8
w/ WING STYLE "T" HANDLE*									
41702T	41702WT	1/2	10	80	1/2	2 1/2	1 13/16	2	14.7
41703T	41703WT	3/4	10	60	3/4	2 1/2	2 3/16	2	28.4
41704T	41704WT	1	6	36	1	2 7/8	2 11/16	2	56.0
w/ 304 STAINLESS STEEL WING STYLE "T" HANDLE									
41702SSW	41702WSSW	1/2	10	80	1/2	2 1/2	1 13/16	2	14.7
41703SSW	41703WSSW	3/4	10	60	3/4	2 1/2	2 3/16	2	28.4
41704SSW	41704WSSW	1	6	36	1	2 7/8	2 11/16	2	56.0



NO.	DESCRIPTION	MATERIAL
1	BODY	BRASS
2	END CAP	BRASS
3	SEAT	PTFE
4	BALL	BRASS HCP
5	STEM	BRASS
6	STEM SEAL	PTFE
7	PACKING GLAND	BRASS
8	LEVER HANDLE	STEEL CP (FOR 4170) STAINLESS STEEL (FOR 4170SSL)
9	HANDLE NUT	STEEL CP (FOR 4170) STAINLESS STEEL (FOR 4170SSL)
10	HANDLE JACKET	VINYL
11	WING STYLE "T" HANDLE	STAINLESS STEEL (FOR 4170SSW) STEEL CP (FOR 4170T)
12	HANDLE NUT	STAINLESS STEEL (FOR 4170SSW) STEEL CP (FOR 4170T)

TEMP °F	1/4" - 2" PSI	2 1/2" - 4" PSI
100	600	400
150	490	327
200	479	313
250	470	293
300	411	274
350	294	196
366	N/A	N/A

Specifications: Designed for residential, commercial or industrial use with water, oil or gas. This approved Webstone valve is actuated by a blowout proof stem and features an adjustable packing gland. Threaded ends comply with ANSI B1.20.1. *4170T valves are not manufactured in an ISO facility. CSA certification applies to valves 1/2" to 2".

Webstone, a brand of NIBCO

Quality and Commitment Since 1954

www.webstonevalves.com P: (800) 225-9529 · F: (800) 336-5133

Webstone product specifications in U.S. customary units are approximate and are provided for reference only. Webstone reserves the right to change or modify product design, construction, specifications or materials without prior notice and without incurring any obligation to make such changes and modifications on Webstone products previously or subsequently sold.

THIS SPACE FOR DESIGNER/ENGINEER APPROVAL

Job/Customer _____	Date _____	Contractor _____
Model Specified _____	Qty _____	Approved By _____
Designer/Engineer _____	Date _____	Contractor's PO# _____
Submitted by _____	Date _____	Other _____

5170 Series

Full Port Forged Brass Ball Valves

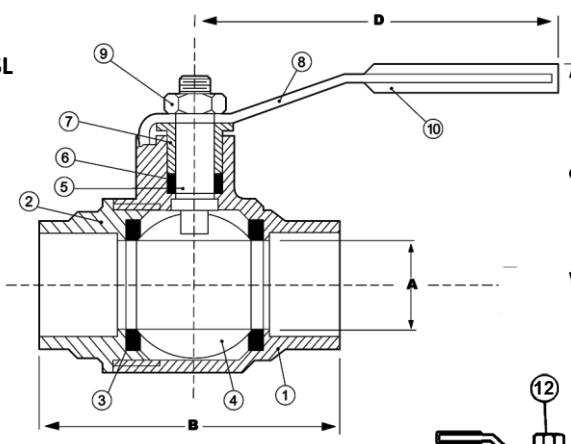
w/ Adjustable Packing Gland

CxC

600 WOG / 150 WSP (400 WOG for 2 1/2" - 4")

For Standard brass products are certified to NSF/ANSI 61*
Lead free products are certified to NSF/ANSI 61-G*

STANDARD BRASS ITEM #	LEAD FREE ITEM #	SIZE	CTN	CASE	A	B	C	D	Cv
w/ CHROME PLATED LEVER HANDLE									
51702	51702W	1/2	10	80	1/2	2	1 5/8	3 1/2	14.7
51703	51703W	3/4	10	60	3/4	2 3/4	2	4	28.4
51704	51704W	1	6	36	1	3 3/8	2 3/8	4 1/2	56.0
51705	51705W	1 1/4	6	24	1 1/4	3 7/8	2 5/8	4 1/2	43.2
51706	51706W	1 1/2	2	24 (16 LF)	1 1/2	4 3/8	3 1/8	5 1/2	161.8
51707	51707W	2	2	12	2	5 3/8	3 3/8	5 1/2	243.8
51708	51708W	2 1/2	1	8	2 1/2	6 3/8	4 5/8	8 1/2	267.3
51709	51709W	3	1	3 (4 LF)	3	7 1/8	4 7/8	8 1/2	412.7
51710	51710W	4	1	2	4	9 1/4	6	9	567.8
w/ 304 STAINLESS STEEL HANDLE									
51702SSL	51702WSSL	1/2	10	80	1/2	2	1 5/8	3 1/2	14.7
51703SSL	51703WSSL	3/4	10	60	3/4	2 3/4	2	4	28.4
51704SSL	51704WSSL	1	6	36	1	3 3/8	2 3/8	4 1/2	56.0
51705SSL	51705WSSL	1 1/4	6	24	1 1/4	3 7/8	2 5/8	4 1/2	43.2
51706SSL	51706WSSL	1 1/2	2	24 (16 LF)	1 1/2	4 3/8	3 1/8	5 1/2	161.8
51707SSL	51707WSSL	2	2	12	2	5 3/8	3 3/8	5 1/2	243.8
w/ WING STYLE "T" HANDLE**									
51702T	51702WT	1/2	10	80	1/2	2 5/16	2 1/8	1 3/4	14.7
51703T	51703WT	3/4	10	60	3/4	2 7/8	2 1/4	1 3/4	28.4
51704T	51704WT	1	6	36	1	3 1/2	2 5/8	1 3/4	56.0
w/ 304 STAINLESS STEEL WING STYLE "T" HANDLE									
51702SSW	51702WSSW	1/2	10	80	1/2	2 5/16	2 1/8	1 3/4	14.7
51703SSW	51703WSSW	3/4	10	60	3/4	2 7/8	2 1/4	1 3/4	28.4
51704SSW	51704WSSW	1	6	36	1	3 1/2	2 5/8	1 3/4	56.0



NO.	DESCRIPTION	MATERIAL
1	BODY	BRASS
2	END CAP	BRASS
3	SEAT	PTFE
4	BALL	BRASS HCP
5	STEM	BRASS
6	STEM SEAL	PTFE
7	PACKING GLAND	BRASS
8	LEVER HANDLE	STEEL CP (FOR 5170) STAINLESS STEEL (FOR 5170SSL)
9	HANDLE NUT	STEEL CP (FOR 5170) STAINLESS STEEL (FOR 5170SSL)
10	HANDLE JACKET	VINYL
11	WING STYLE "T" HANDLE	STAINLESS STEEL (FOR 5170SSW) STEEL CP (FOR 5170T)
12	HANDLE NUT	STAINLESS STEEL (FOR 5170SSW) STEEL CP (FOR 5170T)

TEMP °F	1/2" - 2"	2 1/2" - 4"
	PSI	PSI
100	600	400
150	490	327
200	479	313
250	470	293
300	N/A	N/A
350	N/A	N/A
366	N/A	N/A

Specifications: Designed for residential, commercial or industrial use with water, oil or gas. This approved Webstone valve is actuated by a blowout proof stem and features an adjustable packing gland. Solder joint temperature ratings are per ASME B16.18 Annex A for 95-5 solder. Other solder materials have lower pressure/temperature limits. Do not silver braze or overheat valves when soldering. *5170T valves are not manufactured in an ISO facility. *Certification applies to valves 1/2" to 2".

Webstone, a brand of NIBCO

Quality and Commitment Since 1954

www.webstonevalves.com · P: (800) 225-9529 · F: (800) 336-5133

Webstone product specifications in U.S. customary units are approximate and are provided for reference only. Webstone reserves the right to change or modify product design, construction, specifications or materials without prior notice and without incurring any obligation to make such changes and modifications on Webstone products previously or subsequently sold.

5170-5170WSpec_122915