

Rosko

JULIEN

RO-STFE

Electric Hot Steam Table

 RO-STFE-36-1 RO-STFE-48-1 RO-STFE-60-1 RO-STFE-72-1 RO-STFE-36-2 RO-STFE-48-2 RO-STFE-60-2 RO-STFE-72-2

RO-STFE-48-1

You could also like our Double Shelf RO-OSD

Option

- RO-ACC-STFE-RTC - Roll Top Cover 12X20 for Steam Table
- RO-ACC-STFE-US36 - Adjustable Undershelf for 36" Steam Table
- RO-ACC-STFE-US48 - Adjustable Undershelf for 48" Steam Table
- RO-ACC-STFE-US60 - Adjustable Undershelf for 60" Steam Table
- RO-ACC-STFE-US72 - Adjustable Undershelf for 72" Steam Table
- RO-ACC-STFE-APC1 - Cutout Adapter Plate for Steam Table, 2.2L / 3.9L / 6.7L
- RO-ACC-STFE-APC2 - Cutout Adapter Plate for Steam Table, 2.2L / 2 x 3.9L
- RO-ACC-STFE-APC3 - Cutout Adapter Plate for Steam Table, 2 x 6.7L
- RO-ACC-STFE-APC4 - Cutout Adapter Plate for Steam Table, 3 x 3.9L
- RO-ACC-STFE-APC5 - Cutout Adapter Plate for Steam Table, 5 x 2.2L
- RO-ACC-STFE-APC6 - Cutout Adapter Plate for Steam Table, 3.9L / 10.4L

Construction

- Made of 18 gauge stainless steel
- Tank made of grade 304 stainless steel
- Enclosed base with front opening
- 8" (203 mm) front polyethylene cutting board with central support
- 6" (152 mm) stainless steel adjustable legs
- 1" (25 mm) NPT drain with ball valve and overflow included
- Designed to accommodate 2 to 5 full size pans
- Central supports for accessories included

Operation

- Made for 208 V or 240 V electric power supply
- Power outputs from 2 500 à 5 000 W available depending on the model
- Thermostatic control of temperature from 50 °F to 250 °F (10 °C to 120 °C)
- Indicator light
- Connected water supply with 1/4" NPT ball valve

Legal

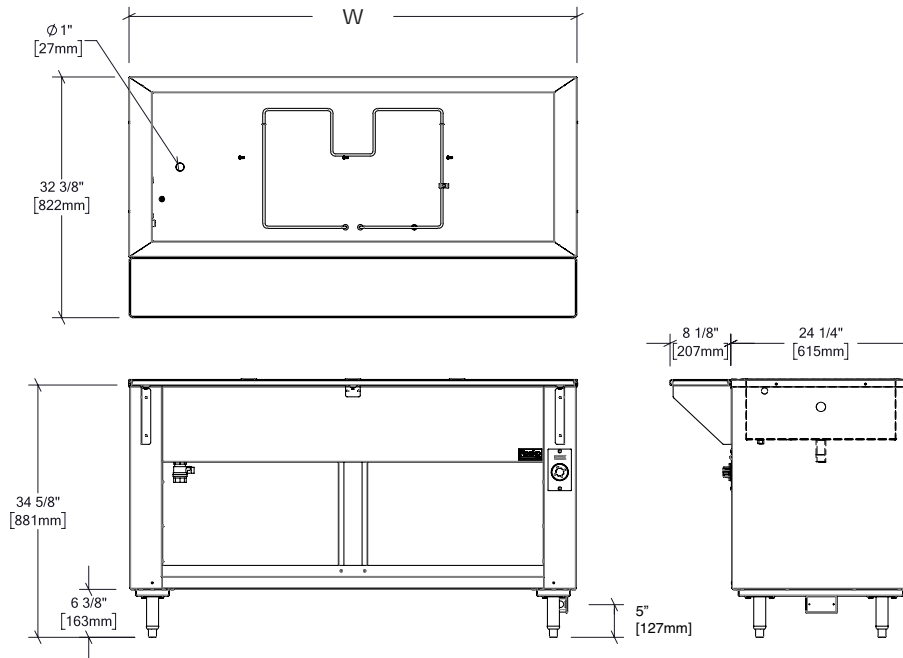
- All models require a 2" (51 mm) clearance on both sides and a 4" (102 mm) clearance behind the unit if next to a combustible material
- All models require commercial installation and are not intended for residential use
- One (1) year limited warranty on parts and labor
- Certified to CSA Std C22.2 No.109-17 standards



955 Lachance Street
Québec, QC G1P 2H3
Canada

1-800-461-3377
www.rosko-julien.ca

Due to the continuous development of the product, specifications are subject to change without notice.



| Model | Width (W) | Depth | Height | Weight | Packaging dimensions (W x D x H) |
|--------------|---------------|-----------------|---------------------------------------|-----------------|---------------------------------------|
| RO-STFE-36-1 | 36" - 914 mm | 20" - 508 mm | 34½" - 876 mm | 200 lb - 90 kg | 38 x 38 x 41" 965 x 965 x 1041 mm |
| RO-STFE-36-2 | | | | | |
| RO-STFE-48-1 | 48" - 1219 mm | | | 210 lb - 96 kg | 62 x 38 x 41" 1575 x 965 x 1041 mm |
| RO-STFE-48-2 | | | | | |
| RO-STFE-60-1 | 60" - 1524 mm | | | 225 lb - 102 kg | 63 x 38 x 41" 1575 x 965 x 1041 mm |
| RO-STFE-60-2 | | | | | |
| RO-STFE-72-1 | 72" - 1829 mm | 250 lb - 113 kg | 76 x 38 x 41" 1930 x 965 x 1041 mm | | |
| RO-STFE-72-2 | | | | | |

| Model | Total output | Voltage | Amperage 1 phase | Number of full pan openings | Tank dimensions (W x D) |
|--------------|--------------|---------|------------------|-----------------------------|---------------------------|
| RO-STFE-36-1 | 2500 W | 208 V | 12,1 A | 2 | 30 x 20" 762 x 508 mm |
| RO-STFE-36-2 | | 240 V | 10,5 A | | |
| RO-STFE-48-1 | 3000 W | 208 V | 14,5 A | 3 | 42 x 20" 1067 x 508 mm |
| RO-STFE-48-2 | | 240 V | 12,5 A | | |
| RO-STFE-60-1 | | 208 V | 14,5 A | 4 | 54 x 20" 1372 x 508 mm |
| RO-STFE-60-2 | | 240 V | 12,5 A | | |
| RO-STFE-72-1 | 5000 W | 208 V | 24 A | 5 | 66 x 20" 1676 x 508 mm |
| RO-STFE-72-2 | | 240 V | 20,8 A | | |