

### Electric Countertop Griddle

<input type="checkbox"/> RO-GCE-18-1	<input type="checkbox"/> RO-GCE-24-1	<input type="checkbox"/> RO-GCE-36-1	
<input type="checkbox"/> RO-GCE-18-2	<input type="checkbox"/> RO-GCE-24-1-CP	<input type="checkbox"/> RO-GCE-36-1-CP	
	<input type="checkbox"/> RO-GCE-24-2	<input type="checkbox"/> RO-GCE-36-2	
	<input type="checkbox"/> RO-GCE-24-2-CP	<input type="checkbox"/> RO-GCE-36-2-CP	



RO-GCE-36



#### Construction

- Made of grade 430 stainless steel
- 1/2" thick polished steel cooking plate
- Optional chrome plated griddle for 24" (610 mm) and 36" (914 mm) wide models
- 3" (77 mm) high splash guards on three (3) sides
- Removable grease pan drawer with drain included
- 1" (25 mm) adjustable stainless steel foot

#### Operation

- Made for 208 V or 240 V electric power supply
- Power outputs from 4 000 to 12 000 W available depending on the model
- Thermostatic control of temperature from 150 °F to 450 °F (65 °C to 232 °C)
- Independent indicator lights

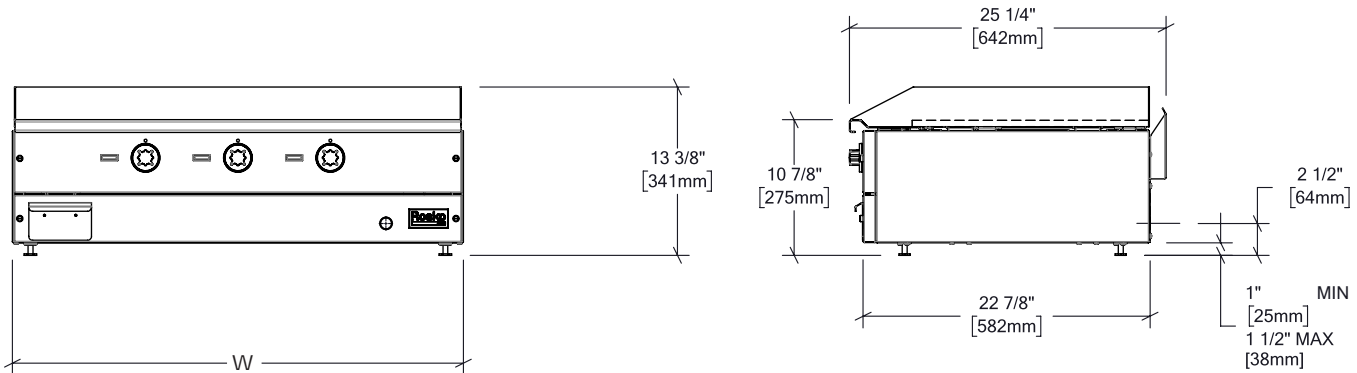
#### Legal

- Adapted for combustible surfaces installation
- Requires a 1" (25 mm) clearance on both sides as well as behind the unit if next to combustible material
- All models require commercial installation and are not intended for residential use
- One (1) year limited warranty on parts and labor
- Certified to CSA C22.2 No 109-17 standards

#### Option

- RO-ACC-4LEG - Set of 4" (102 mm) Adjustable Legs





Model	Width (W)	Depth	Total height	Cooking surface	Weight	Shipping dimensions (W x D x H)
RO-GCE-18-1	18" – 457 mm	25 1/4" – 642 mm	13 3/8" – 341 mm	17 1/2" x 19" 444 x 483 mm	92 lb – 42 kg	30 x 20 x 27" 762 x 508 x 686 mm
RO-GCE-18-2						
RO-GCE-24-1	24" – 610 mm			23 1/2" x 19" 597 x 483 mm	128 lb – 58 kg	38 x 38 x 24" 965 x 965 x 610 mm
RO-GCE-24-1-CP						
RO-GCE-24-2						
RO-GCE-24-2-CP						
RO-GCE-36-1	36" – 914 mm			35 1/2" x 19" 902 x 483 mm	174 lb – 79 kg	40 x 30 x 24" 1016 x 762 x 610 mm
RO-GCE-36-1-CP						
RO-GCE-36-2						
RO-GCE-36-2-CP						

Model	Total output	Number of controls/elements	Voltage	Amperage				Polished steel cooking plate	Chrome plated steel cooking plate (Option CP)
				1 ph	3 ph (B)	3 ph (W)	3 ph (R)		
RO-GCE-18-1	4 000 W	1	208 V	19,2 A	-	-	-	■	
RO-GCE-18-2			240 V	16,6 A	-	-	-	■	
RO-GCE-24-1	8 000 W	2	208 V	38,4 A	19,2 A	38,4 A	19,2 A	■	
RO-GCE-24-1-CP			208 V						■
RO-GCE-24-2			240 V	33,3 A	16,7 A	33,3 A	16,7 A	■	
RO-GCE-24-2-CP			240 V						■
RO-GCE-36-1	12 000 W	3	208 V	57,6 A	33,3 A	33,3 A	33,3 A	■	
RO-GCE-36-1-CP			208 V						■
RO-GCE-36-2			240 V	50,0 A	28,9 A	28,9 A	28,9 A	■	
RO-GCE-36-2-CP			240 V						■