

Andon Lamps

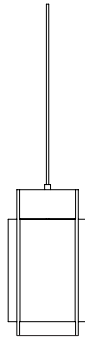
Assembly guide



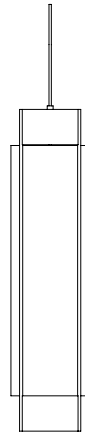
Andon Table Lamp



Andon Pendel Small



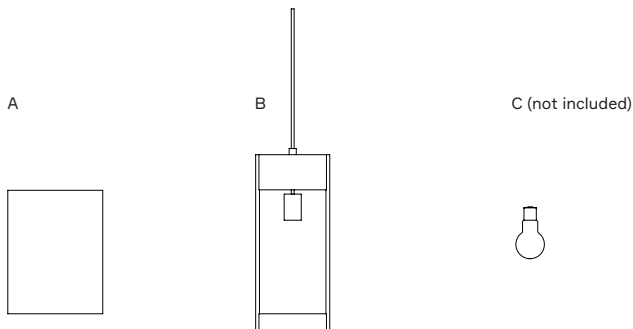
Andon Pendel Medium



Andon Pendel Long

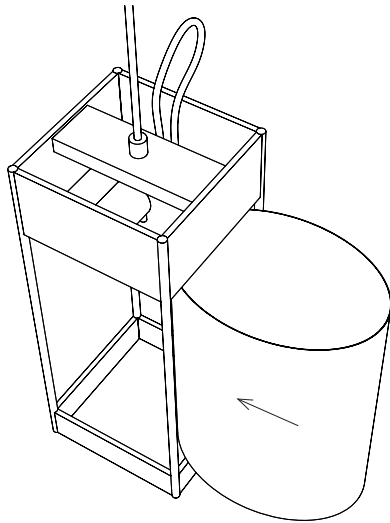
Components

This guide covers the steps of assembling Andon Table Lamp, Andon Pendel Small, Andon Pendel Medium and Andon Pendel Long. The size and dimensions of the components may therefore vary from those shown in the diagrams throughout this guide. However, the assembly steps remain the same. Place the components on a blanket to avoid scratches on the floor and on the product.



Step 1

Slide the paper shade (A) into the frame (B).



Step 2

The lamp is now ready for a light bulb (C) to be mounted in the socket.

