

# KILOTECH



## Electronic Bench and Platform Scale



- **Built for the job**
- **Accuracy assured**
- **Indispensible warehouse partner**



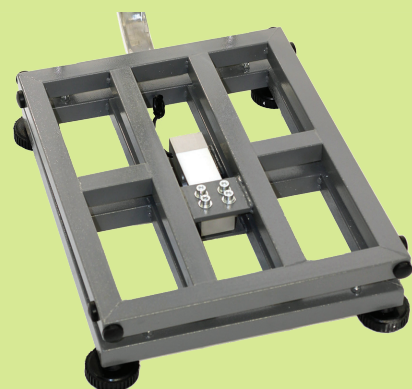
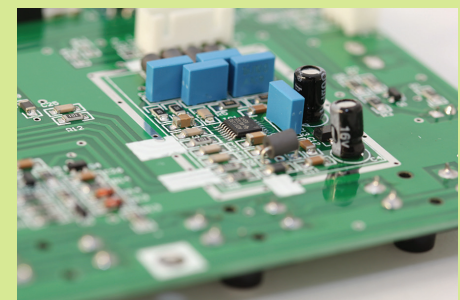
- **Durability for longevity**
  - ✓ Durable, thick stainless steel platter allows for heavy loads without bending
  - ✓ Rugged mild steel frame structure
  - ✓ Your warehouse “go to” scale
- **2 scales in one**
  - ✓ Dual range – always the right sensitivity no matter how light or heavy the load
- **Back support**
  - ✓ Ideal for weighing products in bags or items that require extra support
- **Post mounted indicator**
  - ✓ Makes it easy to see the screen
- **Control your Quality – decrease errors**
  - ✓ Visual and audio cues help avoid errors and speed up the counting and checkweighing process
- **Indicator viewable in bright lights and from various angles**
  - ✓ Ideal for both industrial and restaurant applications



Cyclone 300



Cyclone 150







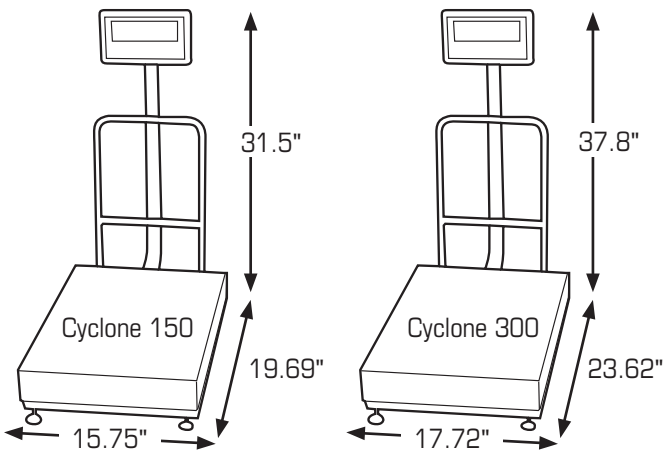
## Key Features:

- ✓ Three weighing modes: lb, kg, pcs
- ✓ Ideal for shipping, receiving, check weighing or counting
- ✓ 2 set points (HI/OK/LO) with audible and visual alerts
- ✓ Accumulation function
- ✓ Hi contrast LCD with auto backlight - visible in bright light and various angles
- ✓ Back rack
- ✓ 6 key keyboard
- ✓ Full capacity TARE
- ✓ Battery or adapter operated
- ✓ Durable platter
- ✓ Sturdy frame



# Specifications

<b>Model</b>	CYCLONE 150	CYCLONE 300
<b>Capacity</b>	0-60kg x 20g / 60-150kg x 50g 0-150lb x 0.05lb / 150-300lb x 0.1lb	0-150kg x 50g / 150-300kg x 100g 0-300lb x 0.1lb / 300-600lb x 0.2lb
<b>Units of Measure</b>	kg, lb, pcs	
<b>Keyboard</b>	6 Keys	
<b>Audible alarm</b>	Touch sound for key entry, low battery and High/Low alarm	
<b>Working temperature</b>	0° C ~40° C 32° F ~104° F	
<b>Over capacity</b>	Display "OL" when exceeds the full scale capacity	
<b>Tare</b>	Full capacity, push button tare	
<b>Auto Zero tracking</b>	Yes	
<b>Display</b>	High contrast LCD with auto backlight	
<b>Remote display</b>	No	
<b>Current consumption</b>	0.6vA	
<b>Digit/height</b>	6 digits/ 26 mm (1.02")	
<b>Check weighing function</b>	HI/LO/OK annunciate & alert buzz	
<b>Set points</b>	Select up to 2 set points for high and low limit settings	
<b>Counting function</b>	Yes	
<b>Accumulate Weighing</b>	Yes	
<b>RS232</b>	No	
<b>Scale dimensions (W x D x H)</b>	400 x 500 x 800 mm (15.75 x 19.69 x 31.5")	450 x 600 x 960 mm (17.72 x 23.62 x 37.8")
<b>Scale weight</b>	13 kg	20 kg
<b>Box dimensions</b>	840 x 600 x 228.6 mm (33 x 24 x 9")	940 x 640 x 228.6 mm (37 x 25 x 9")
<b>Box weight</b>	15 kg	23 kg
<b>Power Supply</b>	AC/DC adapter & rechargeable battery	



[www.kilotech.com](http://www.kilotech.com)