


Qty.	Description
1	<b>CM 1-6 A-S-I-E-AQQE B-A-A-N</b>
	
	<p>Note! Product picture may differ from actual product</p>
	<p>Product No.: <a href="#">98125766</a></p>
	<p>Compact, reliable, horizontal, multistage, end-suction centrifugal pump with axial suction port and radial discharge port. Pump materials in contact with the liquid are in stainless steel. The mechanical shaft seal is a special designed, unbalanced O-ring seal. Pipework connection is via internal NPT pipe threads.</p>
	<p>The pump is fitted with a 1-phase, foot-mounted, fan-cooled asynchronous motor.</p>
	<p>Controls: Frequency converter:                    NONE</p>
	<p>Liquid: Pumped liquid:                         Water Liquid temperature range:         -20 .. 120 °C Selected liquid temperature:       20 °C Density:                                    998.2 kg/m<sup>3</sup></p>
	<p>Technical: Pump speed on which pump data are based:    3480 rpm Rated flow:                                2.04 m<sup>3</sup>/h Rated head:                                 54.38 m Code for shaft seal:                     AQQE Approvals:                                 CE,CULUS,WRAS,ACS,CURUS,EAC Curve tolerance:                         ISO9906:2012 3B</p>
	<p>Materials: Pump housing:                             Stainless steel    EN 1.4301    AISI 304 Impeller:                                    Stainless steel    EN 1.4301    AISI 304</p>
	<p>Installation: Range of ambient temperature:       -20 .. 55 °C Maximum operating pressure:        16 bar Max pressure at stated temp:        16 bar / 90 °C    10 bar / 120 °C</p>
	<p>Type of connection:                    NPT(F) Size of inlet connection:               1 inch Size of outlet connection:              1 inch Outlet position:                            12</p>
	<p>Electrical data: Motor standard:                            NEMA Frame size:                                 80AA Rated power - P2:                        0.78 kW Mains frequency:                         60 Hz Suitable for 50/60 Hz:                    N</p>



Company name:

Created by:

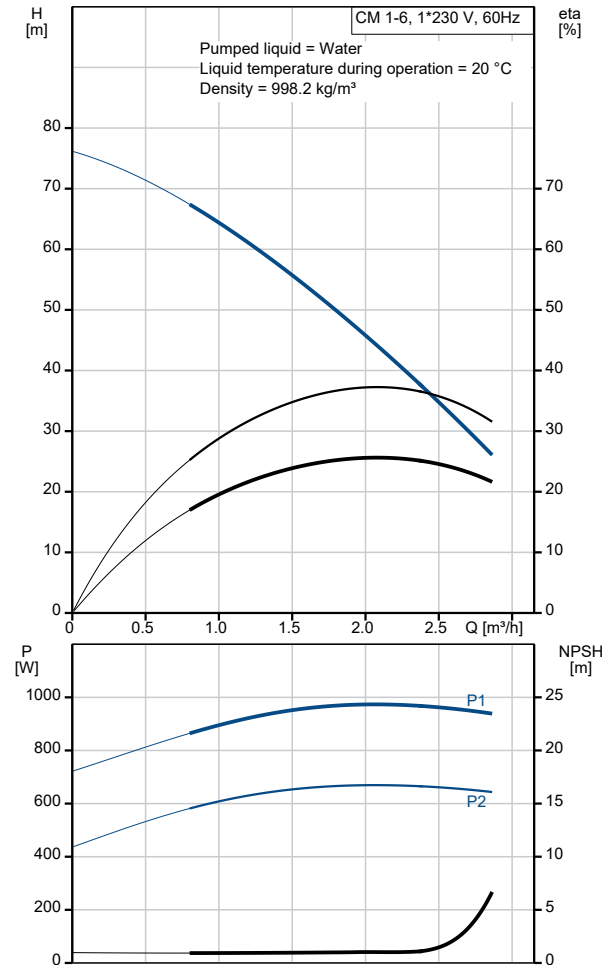
Phone:

Date:

01/12/2021

Qty.	Description
	Phases: 1
	Rated voltage: 115/230 V V
	Service factor: 1.00
	Rated current: 10.6/5.4 A
	Starting current: 300-300 %
	Rated speed: 3240 rpm
	Enclosure class (IEC 34-5): IP55
	Insulation class (IEC 85): F
	Built-in motor protection: NONE
	Cable included (Yes/No): N
	Others:
	Terminal box position: 12
	Minimum efficiency index, MEI $\geq$ : 0.68
	Net weight: 15.1 kg
	Gross weight: 17.6 kg

Description	Value
<b>General information:</b>	
Product name:	CM 1-6 A-S-I-E-AQQE B-A-A-N
Product No:	<a href="#">98125766</a>
EAN number:	5710629462992
Price:	
<b>Technical:</b>	
Pump speed on which pump data are based:	3480 rpm
Rated flow:	2.04 m³/h
Rated head:	54.38 m
Impellers:	6
Code for shaft seal:	AQQE
Approvals:	CE,CULUS,WRAS,ACS,CUR US,EAC
Curve tolerance:	ISO9906:2012 3B
Pump version:	A
Model:	A
<b>Materials:</b>	
Pump housing:	Stainless steel
Pump housing:	EN 1.4301
Pump housing:	AISI 304
Impeller:	Stainless steel
Impeller:	EN 1.4301
Impeller:	AISI 304
Material code:	I
Code for rubber:	E
<b>Installation:</b>	
Range of ambient temperature:	-20 .. 55 °C
Maximum operating pressure:	16 bar
Max pressure at stated temp:	16 bar / 90 °C
Max pressure at stated temp:	10 bar / 120 °C
Type of connection:	NPT(F)
Size of inlet connection:	1 inch
Size of outlet connection:	1 inch
Outlet position:	12
Connect code:	S
<b>Liquid:</b>	
Pumped liquid:	Water
Liquid temperature range:	-20 .. 120 °C
Selected liquid temperature:	20 °C
Density:	998.2 kg/m³
<b>Electrical data:</b>	
Motor standard:	NEMA
Frame size:	80AA
Rated power - P2:	0.78 kW
Mains frequency:	60 Hz
Suitable for 50/60 Hz:	N
Phases:	1
Rated voltage:	115/230 V V
Service factor:	1.00
Rated current:	10.6/5.4 A
Starting current:	300-300 %
Rated speed:	3240 rpm
Enclosure class (IEC 34-5):	IP55
Insulation class (IEC 85):	F
Built-in motor protection:	NONE
Cable included (Yes/No):	N
<b>Controls:</b>	





Company name:

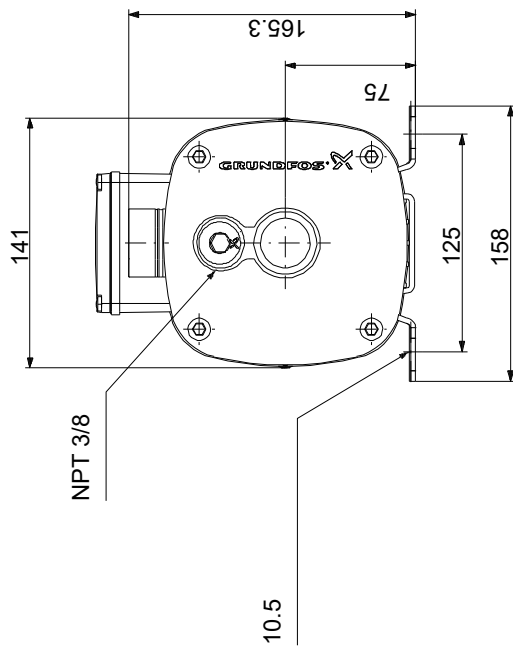
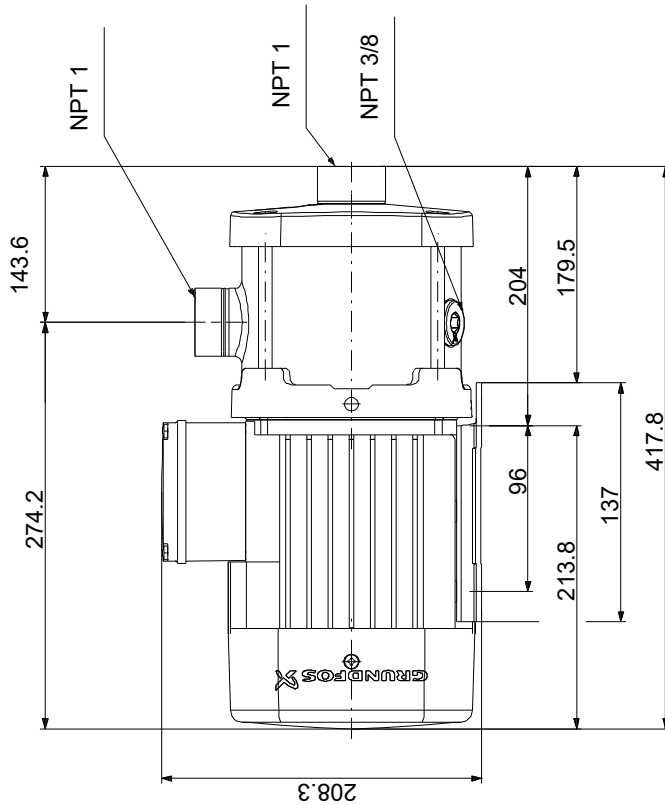
Created by:

Phone:

Date: 01/12/2021

Description	Value
Frequency converter:	NONE
<b>Others:</b>	
Terminal box position:	12
Minimum efficiency index, MEI ≥:	0.68
Net weight:	15.1 kg
Gross weight:	17.6 kg

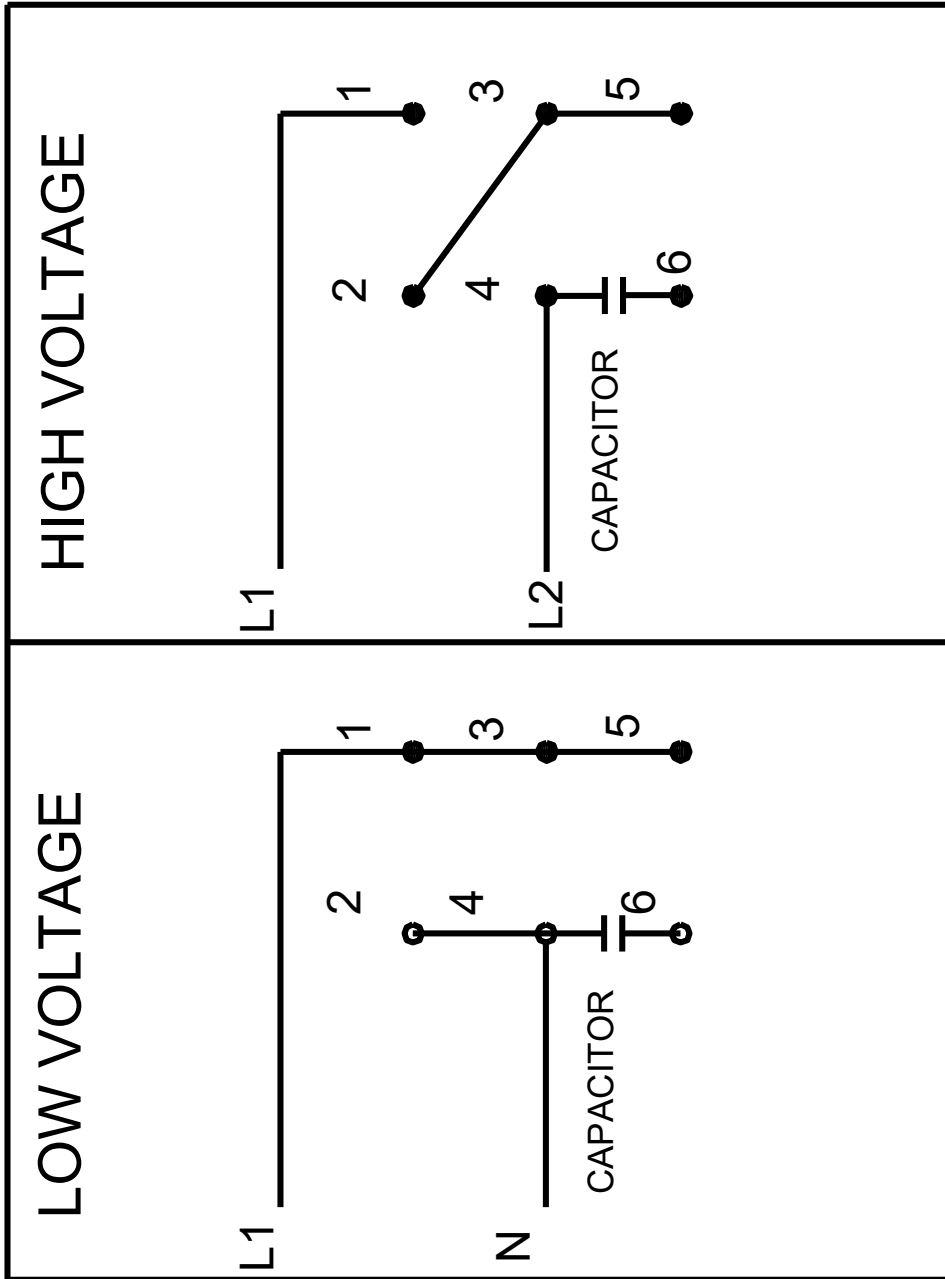
## 98125766 CM 1-6 A-S-I-E-AQQE B-A-A-N 60 Hz



Note! All units are in [mm] unless others are stated.  
Disclaimer: This simplified dimensional drawing does not show all details.

**98125766 CM 1-6 A-S-I-E-AQQE B-A-A-N 60 Hz**

**SUITABLE FOR FIELD CONNECTION**



Note! All units are in [mm] unless others are stated.