

# CHEMICAL INJECTION SYSTEMS

**AXEON® Chemical Injection Systems** offer a wide range of capacities to meet various chemical treatment applications. Each system is composed of a chemical pump and polyethylene chemical tank, along with the necessary hoses and fittings for the pump.

**AXEON Chemical Injection Systems** have been designed to the highest industry standards and are available in capacities from 4 to 30 GPO. These systems feature quality components and a compact space saving design, which allows for easy maintenance and servicing.

**AXEON Chemical Injection Systems** feature Pulsafeeder Chem-Tech™ Series XP pumps with peristaltic technology that delivers worry-free dosing in a modern design. Each component of the Series XP is designed and manufactured for optimum reliability and durability for real performance.



## BENEFITS

- Reliable metering performance
- Mixed fluid capable, inherently degassing
- Extended tube life
- Rugged, sealed gear train
- Easy tube change out
- Self priming
- Chemical resistant materials
- Simple installation
- Heavy duty tanks compatible with acids, caustics, and most water treatment chemicals

## FEATURES

- Electronic timer module provides a 201 turndown control for enhanced flexibility
- Standard neoprene tube, resulting in extended tube life
- Peristaltic technology offers optimum reliability
- Rugged gear train
- Output capacity from 4 to 30 GPD
- Removable tank cover with 22° surface for mixer and mounting surface for chemical metering pump
- Integral 2" and 1" female top connections and 5" inspection port
- 100 pound rating tank cover



**AXEON Chemicals**  
also available

## APPLICATIONS

- Water purification and pollution control
- Iron, hydrogen sulfide and manganese removal
- Scale prevention
- Acid water neutralization
- Coagulation removal
- Waste water treatment
- Detergent and wetting agent metering

## ENGINEERING DATA

- 20:1 Turndown
- 1/4" or 3/8" Tube Fittings
- 110 VAC / 60 HZ, 1/6 HP
- 220 VAC / 50 / 60 HZ
- 104 °F / 40 °C max.
- 28 lbs. / 12.70 kg.

## COMMERCIAL SPECIFICATIONS

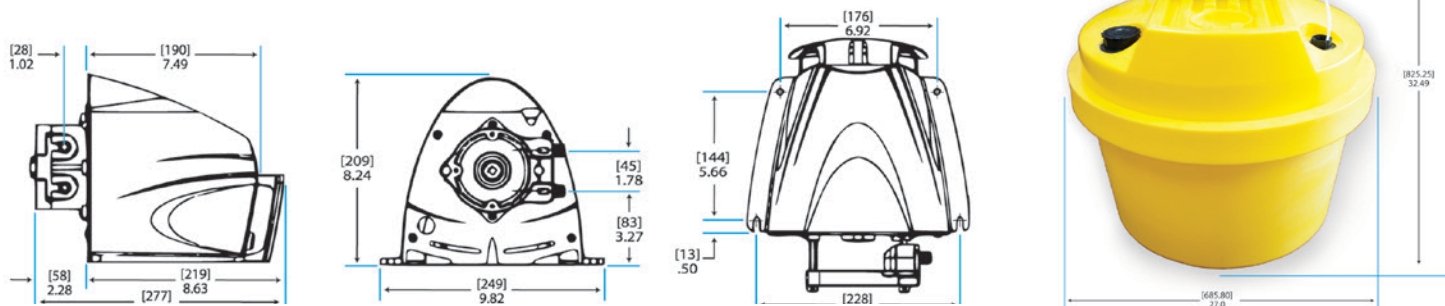
Part Number	Model	Flow Rating (gpd / lph)	Tank Size (gal / ltr)	Pressure Rating (psi / bar)				Tube Size	Speed (rpm)	Voltage
				'H' Tube (single)	'L' Tube (single)	'F' Tube (single)	'L' Tube (duplex)			
205600	XP4-30	4 / 0.6	30 / 113.6	125 / 8.6	80 / 5.5	60 / 4.1	80 / 5.5	2	30	110V
205601	XP4-30	4 / 0.6	30 / 113.6	125 / 8.6	80 / 5.5	60 / 4.1	80 / 5.5	2	30	220V
205602	XP15-30	15 / 2.4	30 / 113.6	110 / 7.6	70 / 4.8	50 / 3.4	70 / 4.8	3	30	110V
205603	XP15-30	15 / 2.4	30 / 113.6	110 / 7.6	70 / 4.8	50 / 3.4	70 / 4.8	3	30	220V

## INDUSTRIAL SPECIFICATIONS

Part Number	Model	Flow Rating (gpd / lph)	Tank Size (gal / ltr)	Pressure Rating (psi / bar)				Tube Size	Speed (rpm)	Voltage
				'H' Tube (single)	'L' Tube (single)	'F' Tube (single)	'L' Tube (duplex)			
205604	XP30-30	30 / 4.7	30 / 113.6	80 / 5.5	50 / 3.4	N/A	40 / 2.8	6	30	110V
205605	XP30-30	30 / 4.7	30 / 113.6	80 / 5.5	50 / 3.4	N/A	40 / 2.8	6	30	220V
206586	XP30-50	30 / 4.7	50 / 189.3	N/A	N/A	N/A	N/A	N/A	30	220V

## DIMENSIONS

**Note:** All dimensions are given as [mm] / in.



800-320-4074

AXEONwater.com



©2021 AXEON Water Technologies