

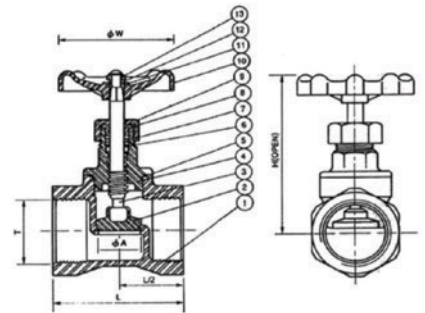
INLINE GLOBE VALVES

Inline designs and builds a broad array of quality products in its ISO 9001 manufacturing facility. As a fully integrated manufacturer, they perform all facets of production from design through final testing. Inline products adhere to ANSI/ASME specifications for material content, pressure ratings and quality assurance, ensuring that our customers receive consistent quality and reliability every time.



FEATURES

- Hand Wheel Operation
- Thread Connection: ANSI B2.1. BS21, DIN
- Maximum Working Pressure: 200 PSI
- Investment Casting
- Screwed-In Bonnet
- Non-Rising Stem



SPECIFICATIONS

Part Number	202270	200994	200995	200996
Max. Working Pressure (psi)	200	200	200	200
A (in / cm)	0.47 / 1.19	0.59 / 1.49	0.79 / 2.01	1.26 / 3.20
H (in / cm)	3.11 / 7.90	3.62 / 9.19	3.86 / 9.80	5.51 / 14.00
L (in / cm)	2.05 / 5.21	2.36 / 5.99	2.83 / 7.19	3.58 / 9.09
W (in / cm)	2.36 / 5.99	2.76 / 7.01	2.76 / 7.01	3.15 / 8.00
End Connections	1/2" NPT or PF	3/4" NPT	1" NPT or PF	1 1/2" NPT or PF

MATERIALS OF CONSTRUCTION

Part	202270	200994	200995	200996
Body	ASTM A-351 Gr. CF8M	Astm A-351 Gr. CF8M	Astm A-351 Gr. CF8M	Astm A-351 Gr. CF8M
Disk	SS316	SS316	SS316	SS316
Stem	SS316	SS316	SS316	SS316
Bonnet	ASTM A-351 Gr. CF8M	Astm A-351 Gr. CF8M	Astm A-351 Gr. CF8M	Astm A-351 Gr. CF8M
Gasket Packing	Teflon	Teflon	Teflon	Teflon
Stop Ring	SS304	SS304	SS304	SS304
Stem Packing	Teflon	Teflon	Teflon	Teflon
Gland	SS304	SS304	SS304	SS304
Gland Nut	SS316	SS316	SS316	SS316
Handwheel	Mico Steel	Mico Steel	Mico Steel	Mico Steel
Name Plate	Aluminum	Aluminum	Aluminum	Aluminum
Handwheel Washer	SS304	SS304	SS304	SS304
Handwheel Nut	SS304	SS304	SS304	SS304