

HIGH PERFORMANCE BOOSTER PUMPS - BT4 SERIES

FEATURES

- Stainless steel discharge on all models with 1" NPT outlet
- Stainless steel or cast iron bracket; both with a rugged support foot for horizontal or vertical mounting, a handle for portability and with 1" NPT inlet
- Built with Franklin's patented (U.S. patent) 7,290,984 Tri-Seal floating stage system, providing maximum efficiency, longevity, and performance
- Acetal impellers, Modified PPO diffusers, and 300-series stainless steel hub, eye seals, shaft, and shell
- CI version: Mechanical seal with phenolic/ceramic faces, Buna elastomers, and stainless steel components
- SS version: Mechanical seal with carbon/ceramic faces, FKM elastomers, and stainless steel components
- Industry-proven ODP square-flange 2-compartment motors are easily serviced or replaced without either dismantling the pump end or disturbing the plumbing connections
- High service factor, 1/2-3 hp, 2-compartment dual-voltage motors; three-phase inverter duty rated
- Maximum fluid temperature of up to 120 °F/49 °C; 150 psi maximum working pressure



ORDERING INFORMATION

Phase	Volts	GPM	Construction	HP	S.F.A.	Model	Order No.	Wt. (lbs)
3	208-230/460	5	Stainless Steel	1/2	3.0/1.5	5FBT05S4-T	95830555	37
				3/4	3.6/1.8	5FBT07S4-T	95830560	41
				1	4.7/2.35	5FBT1S4-T	95830565	46
	208-230/460	7		1/2	3.0/1.5	7FBT05S4-T	95830755	37
				3/4	3.6/1.8	7FBT07S4-T	95830760	40
				1	4.7/2.35	7FBT1S4-T	95830765	46
	208-230/460	10		1-1/2	6.8/3.4	7FBT15S4-T	95830770	53
				1/2	3.0/1.5	10FBT05S4-T	95831055	37
				3/4	3.6/1.8	10FBT07S4-T	95831060	39
	208-230/460	15		1	4.7/2.35	10FBT1S4-T	95831065	45
				1-1/2	6.8/3.4	10FBT15S4-T	95831070	52
				2	8.5/4.25	10FBT2S4-T	95831075	56
	208-230/460	20		3/4	3.6/1.8	15FBT07S4-T	95831560	39
				1	4.7/2.35	15FBT1S4-T	95831565	44
				1-1/2	6.8/3.4	15FBT15S4-T	95831570	49
	208-230/460	25		2	8.5/4.25	15FBT2S4-T	95831575	55
				3/4	3.6/1.8	20FBT07S4-T	95832060	39
				1	4.7/2.35	20FBT1S4-T	95832065	44
	208-230/460	25		1-1/2	6.8/3.4	20FBT15S4-T	95832070	51
				2	8.5/4.25	20FBT2S4-T	95832075	55
				3	10.0/5.0	20FBT3S4-T	95832080	67
	208-230/460	25		1	4.7/2.35	25FBT1S4-T	95832565	44
				1-1/2	6.8/3.4	25FBT15S4-T	95832570	48
				2	8.5/4.25	25FBT2S4-T	95832575	54
208-230/460	25	3	10.0/5.0	25FBT3S4-T	95832580	66		



HIGH PERFORMANCE BOOSTER PUMPS - BT4 SERIES

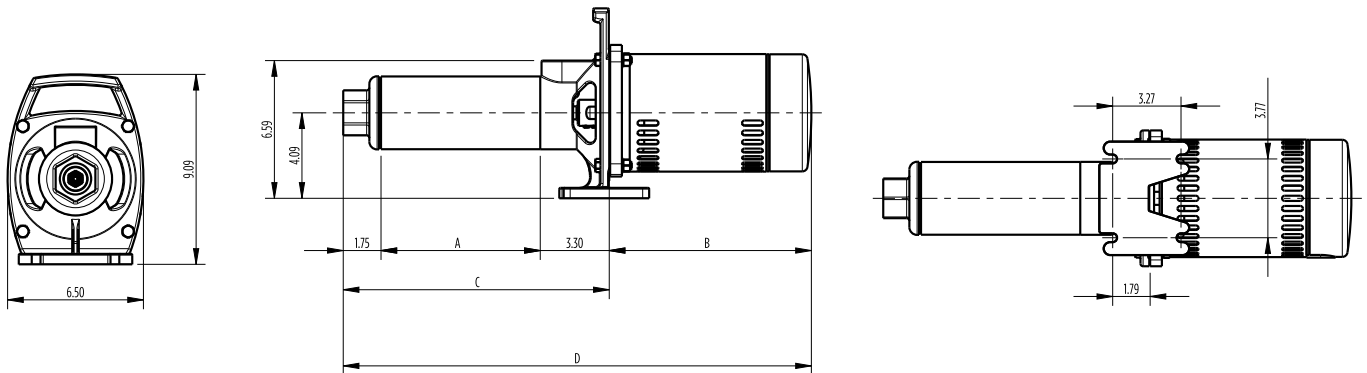
ORDERING INFORMATION

Phase	Volts	GPM	Inlet Construction	HP	S.F.A.	Model	Order No.	Wt. (lbs)		
1	115/230	5	Stainless Steel	1/2	12.4/6.2	5FBT05S4	95830510	37		
				3/4	14.8/7.4	5FBT07S4	95830515	41		
				1	19.9/9.95	5FBT1S4	95830520	46		
			Cast Iron	1/2	12.4/6.2	5FBT05C4	95880505	36		
				3/4	14.8/7.4	5FBT07C4	95880510	40		
				1	19.9/9.95	5FBT1C4	95880515	43		
		7	Stainless Steel	1/2	12.4/6.2	7FBT05S4	95830710	37		
				3/4	14.8/7.4	7FBT07S4	95830715	40		
				1	19.9/9.95	7FBT1S4	95830720	46		
			Cast Iron	1-1/2	24.0/12.0	7FBT15S4	95830725	53		
				1/2	12.4/6.2	7FBT05C4	95880705	36		
				3/4	14.8/7.4	7FBT07C4	95880710	40		
		10	Stainless Steel	1	19.9/9.95	7FBT1C4	95880715	43		
				1-1/2	24.0/12.0	7FBT15C4	95880720	48		
				1/2	12.4/6.2	10FBT05S4	95831010	37		
				3/4	14.8/7.4	10FBT07S4	95831015	39		
				1	19.9/9.95	10FBT1S4	95831020	45		
				1-1/2	24.0/12.0	10FBT15S4	95831025	52		
			Cast Iron	2	24.0/12.0	10FBT2S4	95831030	56		
				1/2	12.4/6.2	10FBT05C4	95881005	35		
				3/4	14.8/7.4	10FBT07C4	95881010	39		
				1	19.9/9.95	10FBT1C4	95881015	42		
				1-1/2	24.0/12.0	10FBT15C4	95881020	48		
				2	24.0/12.0	10FBT2C4	95881025	55		
	15	Stainless Steel	3/4	14.8/7.4	15FBT07S4	95831515	39			
			1	19.9/9.95	15FBT1S4	95831520	44			
			1-1/2	24.0/12.0	15FBT15S4	95831525	49			
			2	24.0/12.0	15FBT2S4	95831530	55			
		Cast Iron	3/4	14.8/7.4	15FBT07C4	95881510	39			
			1	19.9/9.95	15FBT1C4	95881515	41			
			1-1/2	24.0/12.0	15FBT15C4	95881520	47			
			2	24.0/12.0	15FBT2C4	95881525	52			
	20	Stainless Steel	3/4	14.8/7.4	20FBT07S4	95832015	39			
			1	19.9/9.95	20FBT1S4	95832020	44			
			1-1/2	24.0/12.0	20FBT15S4	95832025	51			
			2	24.0/12.0	20FBT2S4	95832030	55			
			3	13.3	20FBT3S4	95832035	67			
			3/4	14.8/7.4	20FBT07C4	95882010	39			
		Cast Iron	1	19.9/9.95	20FBT1C4	95882015	41			
			1-1/2	24.0/12.0	20FBT15C4	95882020	47			
			2	24.0/12.0	20FBT2C4	95882025	54			
			3	13.3	20FBT3C4	95882035	70			
			1	19.9/9.95	25FBT1S4	95832520	44			
			1-1/2	24.0/12.0	25FBT15S4	95832525	48			
	25	Stainless Steel	2	24.0/12.0	25FBT2S4	95832530	54			
			3	13.3	25FBT3S4	95832535	66			
			1	19.9/9.95	25FBT1C4	95882515	41			
			1-1/2	24.0/12.0	25FBT15C4	95882520	46			
		Cast Iron	2	24.0/12.0	25FBT2C4	95882525	51			
			3	13.3	25FBT3C4	95882535	69			
			230	115/230	Stainless Steel	1	19.9/9.95	25FBT1S4	95832520	44
			1-1/2			24.0/12.0	25FBT15S4	95832525	48	
230	115/230	Cast Iron	1	19.9/9.95	25FBT1C4	95882515	41			
1-1/2			24.0/12.0	25FBT15C4	95882520	46				
230	115/230	Stainless Steel	2	24.0/12.0	25FBT2S4	95832530	54			
3			13.3	25FBT3S4	95832535	66				
230	115/230	Cast Iron	1	19.9/9.95	25FBT1C4	95882515	41			
1-1/2			24.0/12.0	25FBT15C4	95882520	46				
230	115/230	Stainless Steel	2	24.0/12.0	25FBT2S4	95832530	54			
3			13.3	25FBT3S4	95832535	66				
230	115/230	Cast Iron	1	19.9/9.95	25FBT1C4	95882515	41			
1-1/2			24.0/12.0	25FBT15C4	95882520	46				
230	115/230	Stainless Steel	2	24.0/12.0	25FBT2S4	95832530	54			
3			13.3	25FBT3S4	95832535	66				
230	115/230	Cast Iron	1	19.9/9.95	25FBT1C4	95882515	41			
1-1/2			24.0/12.0	25FBT15C4	95882520	46				
230	115/230	Stainless Steel	2	24.0/12.0	25FBT2S4	95832530	54			
3			13.3	25FBT3S4	95832535	66				
230	115/230	Cast Iron	1	19.9/9.95	25FBT1C4	95882515	41			
1-1/2			24.0/12.0	25FBT15C4	95882520	46				
230	115/230	Stainless Steel	2	24.0/12.0	25FBT2S4	95832530	54			
3			13.3	25FBT3S4	95832535	66				

HIGH PERFORMANCE BOOSTER PUMPS - BT4 SERIES

DIMENSIONS

GPM	HP	Stage	A	B	C	D
5	1/3	7	8.44	9.63	13.49	23.12
	1/2	9	10.09	10.38	15.14	25.52
	3/4	12	12.55	11.00	17.60	28.60
	1	15	15.01	11.88	20.06	31.94
7	1/3	6	7.62	9.63	12.67	22.30
	1/2	8	9.26	10.38	14.31	24.69
	3/4	10	10.91	11.00	15.96	26.96
	1	14	14.19	11.88	19.24	31.12
	1-1/2	19	18.30	12.63	23.35	35.98
10	1/3	5	7.2	9.63	12.27	21.90
	1/2	7	9.02	10.38	14.07	24.45
	3/4	8	9.93	11.00	14.98	25.98
	1	11	12.64	11.88	17.69	29.57
	1-1/2	15	16.26	12.63	21.31	33.94
	2	18	18.97	12.63	24.02	36.65
15	1/2	5	7.22	10.38	12.27	22.65
	3/4	6	8.12	11.00	13.17	24.17
	1	8	9.93	11.88	14.98	26.86
	1-1/2	12	13.54	12.63	18.59	31.22
	2	15	16.26	12.63	21.31	33.94
20	1/2	4	7.59	10.38	12.64	23.02
	3/4	5	8.82	11.00	13.87	24.87
	1	7	11.26	11.88	16.31	28.19
	1-1/2	10	14.94	12.63	19.99	32.62
	2	12	17.38	12.63	22.43	35.06
	3	15	21.06	13.18	26.11	39.29
25	3/4	4	7.59	11.00	12.64	23.64
	1	6	10.04	11.88	15.09	26.97
	1-1/2	8	12.49	12.63	17.54	30.17
	2	10	14.94	12.63	19.99	32.62
	3	13	18.61	13.18	23.66	36.84



HIGH PERFORMANCE BOOSTER PUMPS - BT4 SERIES

PERFORMANCE: 5 GPM

PERFORMANCE: 5 GPM

Flow (GPM)	Flow (M ³ /H)	1 HP Head (FEET)	3/4 HP Head (FEET)	1/2 HP Head (FEET)	1/3 HP Head (FEET)
0	0	600	500	400	300
1	0.2	580	480	380	290
2	0.4	560	460	360	280
3	0.6	540	440	340	270
4	0.8	520	420	320	260
5	1.0	500	400	300	250
6	1.2	480	380	280	240
7	1.4	460	360	260	230
8	1.6	440	340	240	220

PUMP OPERATING RANGE: 3.0 GPM to 7.5 GPM
BEST EFFICIENCY RANGE: 3.0 GPM to 7.0 GPM

50 FT
0.5 GPM

PERFORMANCE: 7 GPM

PERFORMANCE: 7 GPM

Flow (GPM)	Flow (M ³ /H)	1-1/2 HP Head (FEET)	1 HP Head (FEET)	3/4 HP Head (FEET)	1/2 HP Head (FEET)
0	0	780	600	450	350
1	0.2	750	580	430	340
2	0.4	720	560	410	330
3	0.6	690	540	390	320
4	0.8	660	520	370	310
5	1.0	630	500	350	300
6	1.2	600	480	330	290
7	1.4	570	460	310	280
8	1.6	540	440	290	270
9	1.8	510	420	270	260
10	2.0	480	400	250	250
11	2.2	450	380	230	240

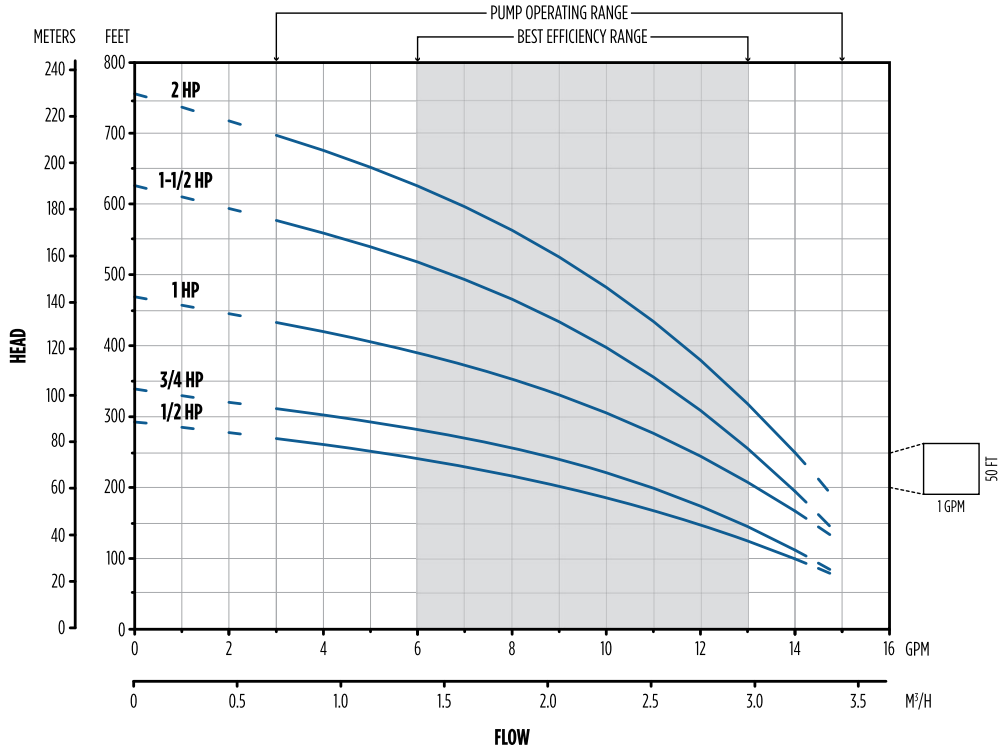
PUMP OPERATING RANGE: 5.0 GPM to 10.5 GPM
BEST EFFICIENCY RANGE: 5.0 GPM to 9.0 GPM

50 FT
0.5 GPM

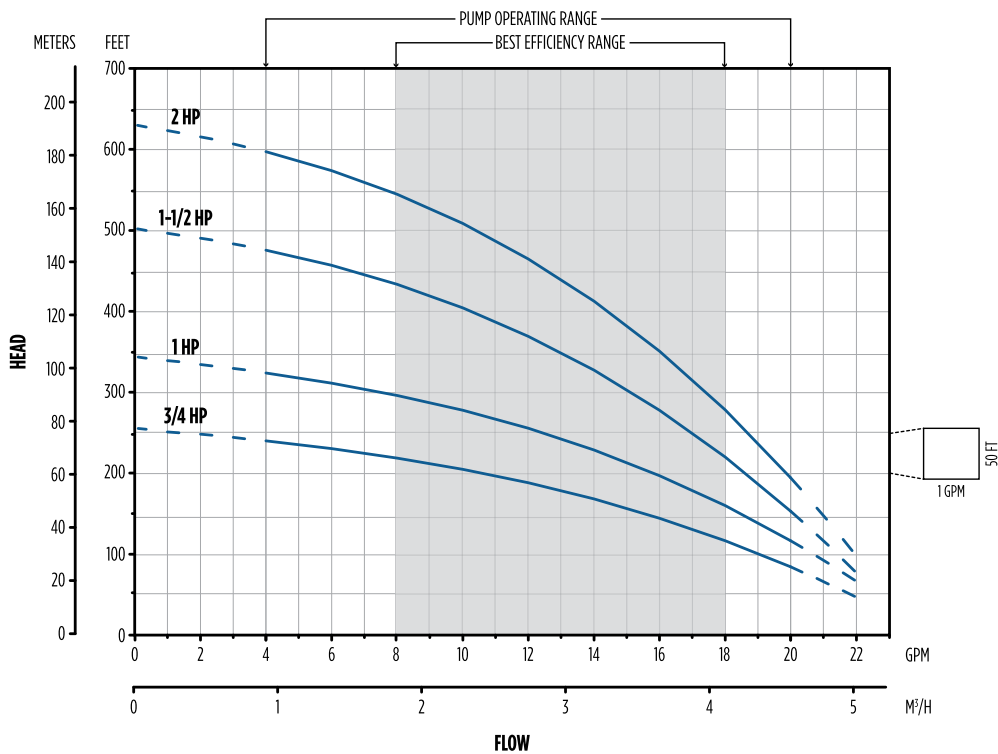
38

HIGH PERFORMANCE BOOSTER PUMPS - BT4 SERIES

PERFORMANCE: 10 GPM

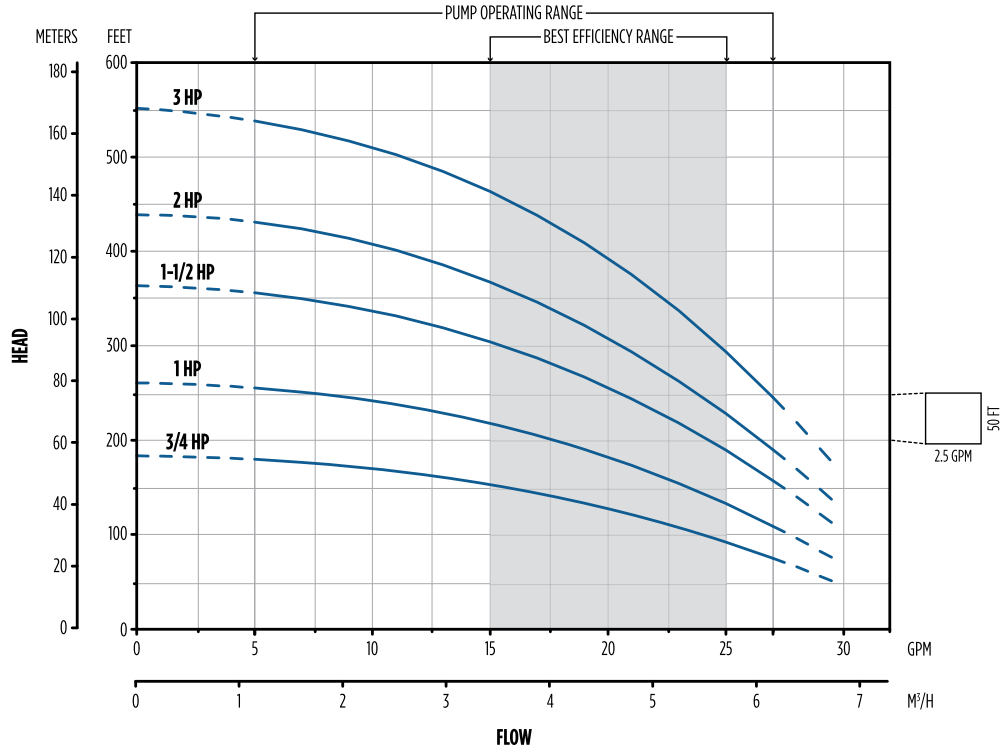


PERFORMANCE: 15 GPM



HIGH PERFORMANCE BOOSTER PUMPS - BT4 SERIES

PERFORMANCE: 20 GPM



PERFORMANCE: 25 GPM

