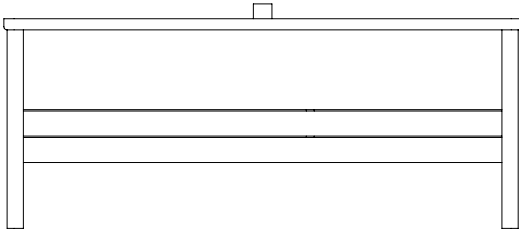
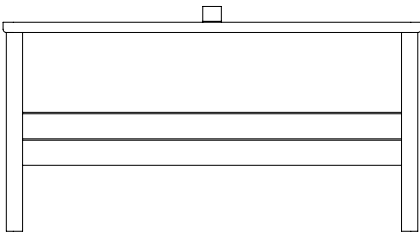


A Line Storage Bench

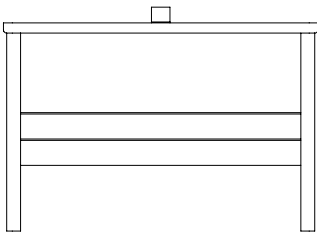
Assembly guide



A Line Storage Bench 111



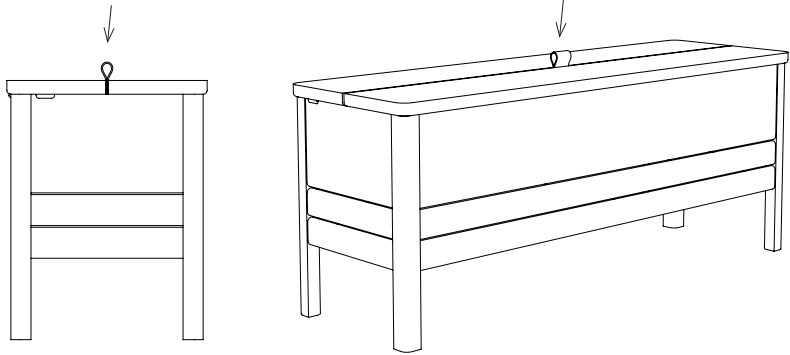
A Line Storage Bench 90



A Line Storage Bench 68

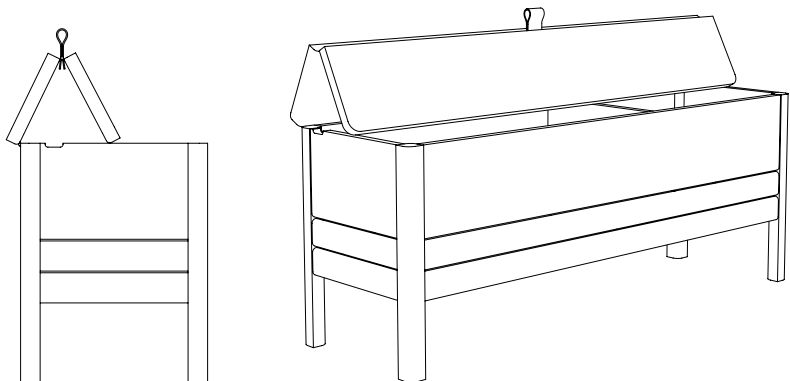
Step 1

The storage bench is ready to use when it is unpacked. It can be placed near a wall or standing in an open space.



Step 2

For opening the storage bench lift the leather handle in the seat. The seat will slide on its cabinet and stop when it falls into place in the notch.



Step 3

When closing the storage bench lift the front part on the seat while holding the leather handle and let it slide to closed position.

