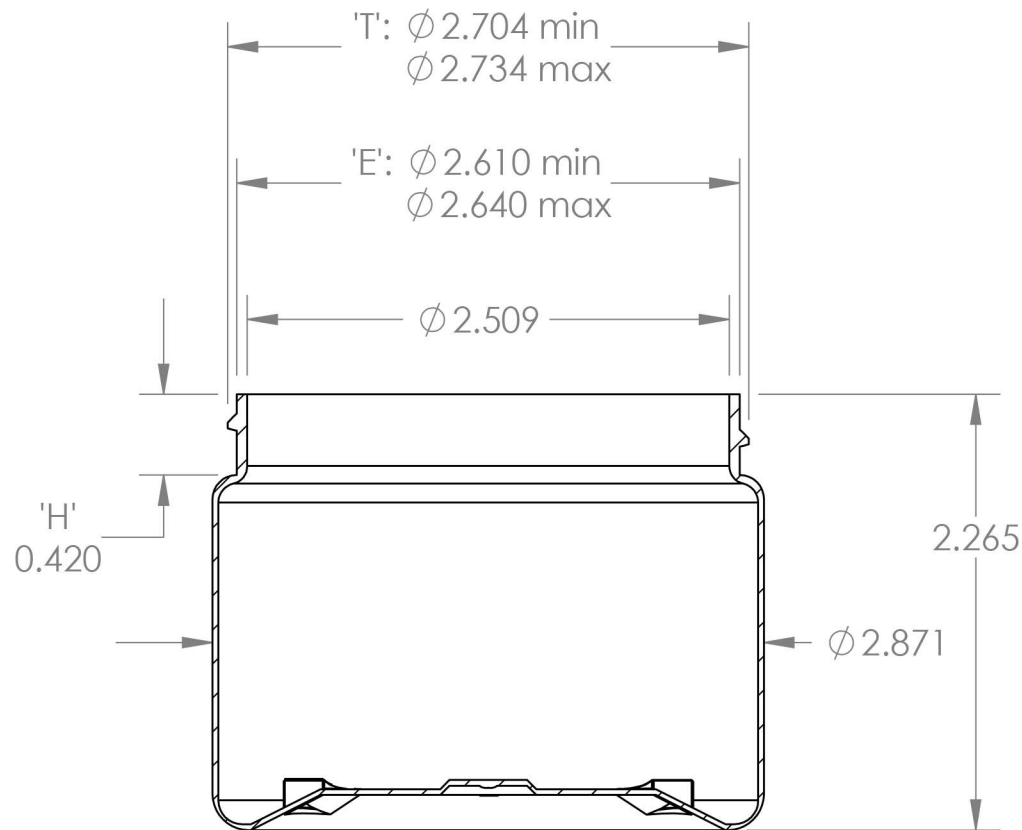


Bottom View



Notes:

1. Material: PET
2. Weight: Approx: 21 grams
3. Overflow Capacity: Approx 210 cc
4. Thread: 6 TPI
5. Printable / Label area:
8.76" wraparound x 1.37" height

DIMENSION	TOLERANCE
.00	.015
.000	.010



REVISION	DATE	6oz 70mm PET Jar	
LAST RT	DATE 4/24/2020	DWG. NO. 1750-6-70-PET	SCAL 1:1