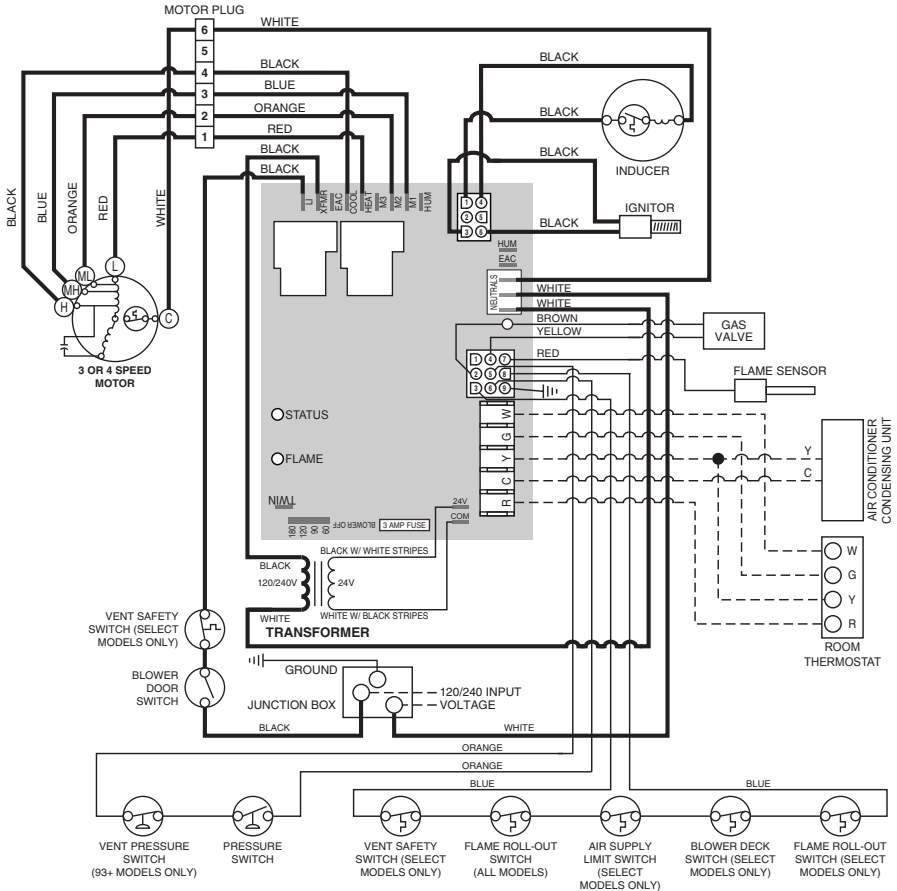


# ICM2805A WIRING DIAGRAM

For Models G5R(-) Gas Furnace with UTEC Control Board #624631



FAULT CONDITION	STATUS RED LIGHT
Power ON	ON
Limit circuit open	1 FLASH
Pressure switch stuck open	2 FLASHES
Pressure switch stuck Closed	3 FLASHES
Ignition failure (check ground)	4 FLASHES
115 VAC & neutral reversed or no ground	5 FLASHES
False flame or gas relay shorted	Continuous
Power OFF	OFF

FAULT CONDITION	FLAME YELLOW LIGHT
Low flame sensor signal	Continuous flash
Flame present	ON

**NOTE:**

If any of the original wire as supplied with the furnace must be replaced, it must be replaced with wiring material having a temperature rating of at least 105 C.

Use copper conductors only.

**LEGEND**

- Field Wiring - - - - -
- Factory Wiring: - - - - -
- Low Voltage - - - - -
- High Voltage - - - - -