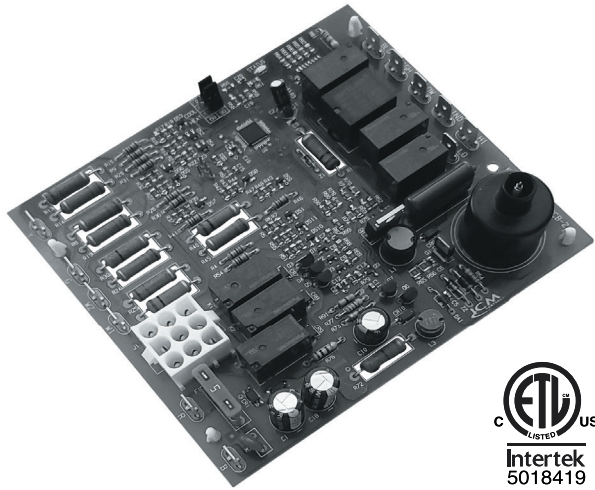




ICM2915

Gas Ignition Replacement Board



OPERATION

Single stage operation

Upon a thermostat call for W1, the single stage heat mode is initiated. The control will verify the initial state of the pressure switch and other safeties then engage the draft inducer. The control then verifies the closure of the pressure switch and enters a 20-second pre-purge (15 seconds on high speed followed by 5 seconds on low speed). After the inducer pre-purge completes, the control energizes the first stage of the gas valve and initiates spark which ignites the flame. Once the flame is detected and verified, a 45 second delay for the indoor blower is initiated. Following the delay, the indoor blower is energized at low speed. When the W1 call from the thermostat is satisfied, the gas valve de-energizes, flame sense is lost, and the control starts a 5 second draft inducer post-purge along with a field selected 60 or 90 second indoor blower post-purge delay. After their delay times expire, the inducer and indoor blowers will be de-energized.

Second stage operation

When a call for second stage heat (W2) occurs during a first stage heat call (W1), the control changes the draft inducer speed from low to high speed. Also, the control will switch the first stage gas heat to the second stage gas heat. Once the call for second stage heat (W2) is satisfied, the draft inducer is switched from high speed to low speed, the gas valve is switched from second stage to first stage, and the indoor blower speed will switch from high to low within 30s.

First stage and second stage called together at the same time

The control initially processes the call as a single stage heat call. Once flame is established, the control begins to process a second stage heat call operation after 10 minutes.

**** Note:** A call for W2 without a call for W1 will not be recognized.

Cooling mode

Upon a thermostat call for cooling (Y) energized or (Y&G) energized, the control energizes the indoor blower on high speed. When the thermostat is satisfied, the control executes a field selectable 0 or 45 second indoor blower post purge off-delay. When the off-delay ends, the Indoor blower is turned off.

Continuous fan mode

Upon a singular (G) input which indicates a call for continuous indoor blower operation, the control will energize the indoor blower at the low heat speed.

Installation, Operation & Application Guide

For more information on our complete range of American-made products – plus wiring diagrams, troubleshooting tips and more, visit us at www.icmcontrols.com

FEATURES

- Controls blower motors, gas valve, & spark ignitor in sequence
- Protects against short cycling
- Selectable Heat/Cool blower off-delay time
- Flash codes from the onboard LED indicate specific problems for easier troubleshooting
- Repeated ignition failures or flame losses will disable heat operation for safety
- 2-stage low heat and high heat

INTRODUCTION

The ICM2915 is a form, fit, and functional replacements for the boards shown in the cross-reference section of this guide. The control boards are designed as automated gas ignition controls which monitor the ignition sequence including the inducer, pressure switch, spark ignition, gas valve, flame sense, and circulating blower while maintaining full safety circuit monitoring including the high limit switch, roll out switch and auxiliary limit switch circuits. Onboard diagnostics will indicate when a fault condition exists. In addition, the ICM2915 offers 2-stage low heat and high heat function for better efficiency.

SPECIFICATIONS

- Line voltage: 240 VAC
- Line frequency: 50/60 Hz
- Control voltage: 18-30 VAC
- Hi-efficiency blower: 10mA @ 24 VAC
- Inducer blower: 0.7 FLA, 1.5 LRA @ 240 VAC
- Combined gas valve load: 1.5A @ 24 VAC
- Minimum flame signal threshold: 0.75 uA

REPLACES

TRANE P/N #: D674713P01

> > > CAUTION < < <



ELECTRICAL SHOCK HAZARD! Before installing this unit, turn off power at the main service panel by removing the fuse or switching the appropriate circuit breaker to the OFF position. Follow all Local, State and National Electrical Codes when installing this device.

CAUTION! Only trained personnel should install or service heating equipment. When working with heating equipment, be sure to read and understand all precautions in the documentation, on labels, and on tags that accompany the equipment. Failure to follow all safety guidelines may result in damage to equipment, severe personal injury or death.

REMOVE EXISTING CONTROL

CAUTION! To service control, and prior to disconnection, label all wires. Failure to do so may result in wiring errors that can cause dangerous operation.

1. Turn thermostat to the OFF position or set it to the lowest possible setting.
2. Turn OFF the electrical supply to furnace.
3. Turn OFF the gas supply to furnace.

CAUTION! Failure to turn off gas and electric supplies can result in explosion, fire, death or personal injury.

4. Remove the furnace blower and control access doors.
5. Disconnect the thermostat wires and humidifier wires (if equipped with a humidifier).
6. Disconnect the line voltage, blower, electronic air cleaner wires (if equipped) and transformer wires.
7. Remove screws and any other fasteners and the old circuit board.
8. Examine the control and the control box for water stains.
9. Make repairs if any sources of water leakage are found. Be sure to check humidifiers, evaporator coils and vent systems in the area of the control.

INSTALL NEW CONTROL

1. Ground yourself. When handling the circuit board; hold it by the edges.
2. Fasten the circuit board with the retaining screws.
3. Connect all line voltage, low voltage and accessory wires.
4. Verify the sequence of operation.

FAULT CODES, STATUS LIGHTS AND TROUBLESHOOTING

Flashes	Fault Condition	Trouble Shooting
Steady Off	No Power	Check for 24VAC to the board at terminals R & B on the control board & check power on both the primary and secondary sides of the stepdown transformer. Check the control board fuse.
Steady ON	Normal operation	Powered up in standby (no call) or powered up with a cool call or fan call in place.
Slow Flash	Normal operation with a heat call in place	Normal heat call operation.
2	System lock out	Check high temperature limit, check flame sensor, check gas valve. See lockout conditions in this guide.
3	Pressure switch fault	Check for obstructed pressure switch tubing or defective pressure switch. Check for oxidation on terminals, broken wires, or defective inducer motor. Check for proper voltage at the inducer motor input.
4	High temperature limit switch open	Check for blocked airflow, blocked ductwork, and dirty filter. Check the main blower is working and not bogged down with dirt. Check or replace high limit switch if defective.
5	False flame sensed	Flame was sensed without gas valve open, or flame sensed without a heat call. Check flame sensor and all grounds.
6	Flame rollout switch open	Check for blocked exhaust ductwork and check for cracked heat exchanger.
7	W2 called without W1 call from thermostat	Check to see if W1 & W2 are wired incorrectly.
8	Low flame signal	Check, clean, or replace the flame sensor. Check gas valve pressure.

****NOTE:** At power up, the control will flash the last 4 faults stored in memory within the last 14 days

Fault code retrieval & clearing

When powering on, the control flashes the last four error codes that have occurred in the last 14 days. The control will flash the newest error first and oldest error last. The fault memory can be manually erased by powering on with a G call in place and toggling W 3 times.

LOCK OUT CONDITION

The control will go into a 1-hour soft lockout if the following faults are detected:

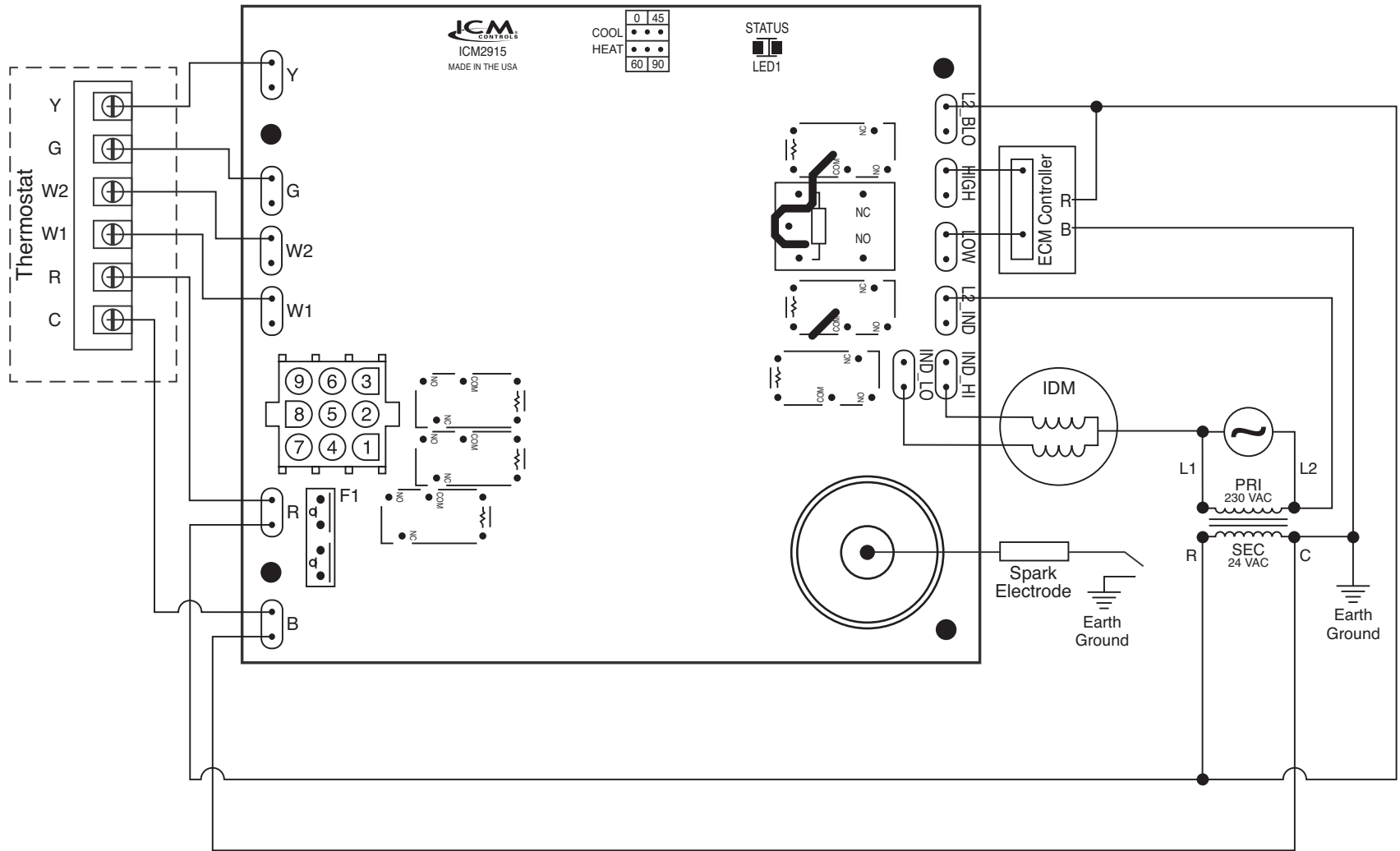
- Limit switch open 4 times in one heat call
- Ignition failed (flame not sensed) 4 times in one heat call
- Flame lost after successful ignition 3 times in one heat call
- Gas valve sensed on when it should not be
- Gas valve sensed off when it should be on, 10 times in one heat call

****NOTE:** Flame sensed while the gas valve is closed puts the control in lockout state, but lockout clears after the blower off delay is complete (90 seconds or 60 seconds, depending on jumper selection).

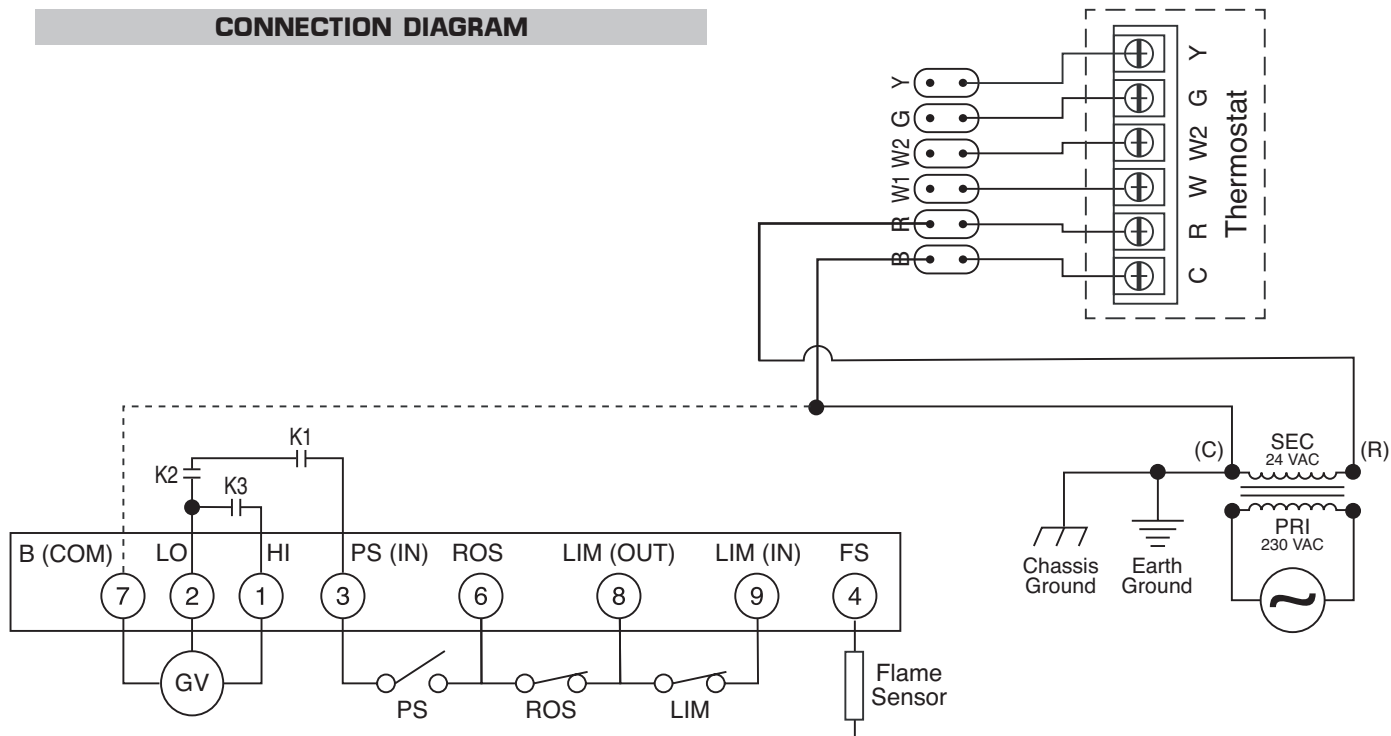
FLAME LOSS DIAGNOSTICS

Weak or intermittent spark	Make sure the furnace frame is grounded to earth ground. Ensure the common of the 24 VAC is grounded to Earth ground. Check or replace the spark igniter. Check the primary and secondary voltage of the transformer for proper voltage.
Flame Loss	<ul style="list-style-type: none"> • Check for bad or dirty flame sensor • Check thermostat • Check for proper flame sense signal at flame sense test pins • Check for proper earth ground on furnace. • 4 flame losses in a single heat call will put the control into a one-hour lockout.
No flame/Ignition failure	<ul style="list-style-type: none"> • Check the thermostat • Check the pressure switch • Check gas valve operation • Check for good spark & check for good earth ground
Flame out of sequence	Flame out of sequence represents a scenario where flame is sensed while the gas valve is closed. The control goes into a lockout state when flame is out of sequence and the indicator LED blinks the appropriate code (see "lockout" section). <ul style="list-style-type: none"> • Check and replace flame sensor
Furnace does not ignite and main blower runs continuously	Check the high temperature limit switch for open circuit. Check all safeties. Clean or replace air filter. Check duct work and return air ducts for blockages.

WIRING DIAGRAM



CONNECTION DIAGRAM



LEGEND			
B	24 VAC common	LIM	Limit switch
C	24 VAC common	PRI	Transformer primary
ECM	Electronically commuted motor	PS	Pressure switch
F1	Fuse	R	24 VAC
FS	Flame sensor	ROS	Roll out switch
GND	Ground	SEC	Transformer secondary
GV	Gas valve		
IDM	Induced draft motor		
K1, K2, K3	Gas valve relays		

