



ICM715

ECM to PSC Motor Controller



ELECTRICAL SHOCK HAZARD – Before installing this unit, turn off power at the main service panel by removing the fuse or switching the appropriate circuit breaker to the OFF position.

DANGER!

Only trained personnel should install or service heating equipment. When working with heating equipment, be sure to read and understand all precautions in the documentation, on labels, and on tags that accompany the equipment. Failure to follow all safety guidelines may result in damage to equipment, severe personal injury or death.

CAUTION!

Failure to turn off gas and electric supplies can result in explosion, fire, personal injury or death.

Mode of Operation

Once all connections are made, the **ICM715** will take the signal outputs from an X13 or SelecTech constant torque ECM motor harness and output to a Single phase PSC motor to run the motor at a technician selected single speed. The technician can select a 3-minute delay by removal of a test jumper on P1 & P2 and placing 24 VAC on the "R" terminal. As shipped, the **ICM715** will have a jumper installed on the test pins, which will provide a 5-second OFF delay if "R" is connected to 24 VAC.

Specifications

- **Motor Voltage:** 120 VAC or 208-240 VAC
- **Input Control Voltage:** 24 VAC
- **Input Frequency:** 50-60 Hz
- **Maximum Blower Horse Power:** 1 HP
- **Size:** 4.0" x 2.2"

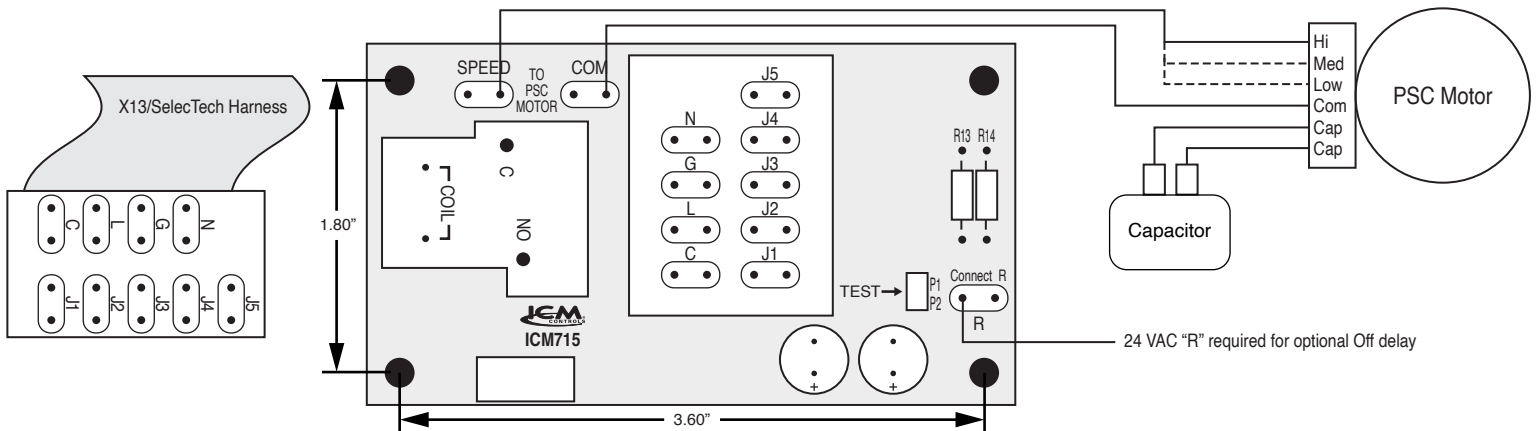
Replaces

QwikSwapX1

Installation Instructions

1. Drill four pilot holes using a #39 (7/64") drill bit.
2. Mount the **ICM715** circuit board using four #6 X 3/4" sheet metal screws.
3. Connect the low voltage harness to J1 through J5 and C.
4. **CAUTION HIGH VOLTAGE** – Connect the main power (120/208/240 VAC) to L,N and G with a 3/16" quick connect.
5. Connect the Common wire of the PSC motor (COM) to the COM terminal of the **ICM715** with a 1/4" quick connect.
6. Select the speed you want to use and connect the wire for that speed to the **ICM715** at the Speed terminal with a 1/4" quick connect.
7. Wire the PSC motor's capacitor terminals to the appropriate size capacitor rated for the PSC motor.
8. Supply the 24 VAC "R" to the R terminal of the **ICM715** using a 1/4" quick connect if an off delay is desired.
9. Select whether or not you wish to have an off delay of 3-minutes by removing the test jumper on P1 & P2 (default) and ensuring R is connected.

Wiring Diagram



OFF Delay Time Table

Delay on Break Time (seconds)	Jumper Between P1 and P2	Red Wir Connected to R
No delay	Removed	Removed
180 Seconds	Removed	Connected
5 Seconds (test mode)	Connected	Connected
No delay	Connected	Removed

Note: This table only applies if all connections are made and there is a thermostat call in place.