

# MEET WIGGLEBUG

your child's new best friend

# GLO FRIENDS

GLOWORM

PLAYSKOOL

2+



## SOCIAL & EMOTIONAL LEARNING

The Social & Emotional Learning elements of Wigglebug are included in the activities your child can do with Wigglebug. **Free Play** and **Wiggle Hop Stop** can help your child release any extra energy they might have and practice calming techniques to move from high activity to low activity. **Calm/Story Mode** presents an engaging, quiet-time activity that can help a child work through difficult emotions and reach a place of quiet reflection. In all modes, Wigglebug will change colours to reflect the level of activity for your child and Wigglebug - **Blue** for calm, slow moments and **Orange** for exciting, fast moments!

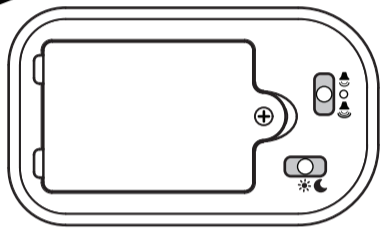


To get the most out of the Social & Emotional Learning features, **use Wigglebug often with your child**. Emotional development takes time and practice, which is exactly what Wigglebug is there to help with. Using the different modes frequently for fun and play will help your child know how to use Wigglebug when they really need to.

**Parents-** for more information on Glo friends and Social & Emotional Learning, visit:

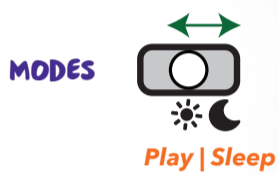


## SET UP



Access the control switches by opening the hook tape in bottom of Wigglebug.

Switch **MODE** to **Play position**. ☀️



## PLAY MODES

PRESS WIGGLEBUG'S FOOT

to cycle through the different play modes.



You'll know Wigglebug is on and ready to play when you hear:

"HELLO!  
I'm so happy  
to see you!"

### WIGGLE HOP STOP MODE

At the start of the **Wiggle, Hop, Stop!** game, Wigglebug will say,

**"Wiggle, Hop, stop!"**

Follow Wigglebug's instructions to move around and let out all your energy, then freeze! Wigglebug notices when your child follows the instructions and gives verbal praise for listening and following along.



### CALM/STORY MODE

At the start of **calm Mode**, Wigglebug will say,

**"Let's be calm..."**

Listen to Wigglebug play soothing sounds and talk your child through imaginative stories.



### FREE PLAY MODE

At the start of **free Play Mode**, Wigglebug will say,

**"Let's play!"**

In **free Play Mode**, there are lots of actions your child can do with Wigglebug! Try different things and see what Wigglebug says!

#### ACTIONS TO TRY:

- Hold Wigglebug upside down
- Rub Wigglebug's belly
- Hop like a bunny
- Fly Wigglebug through the air like an aeroplane
- Give Wigglebug a hug
- Spin Wigglebug



### SLEEP MODE

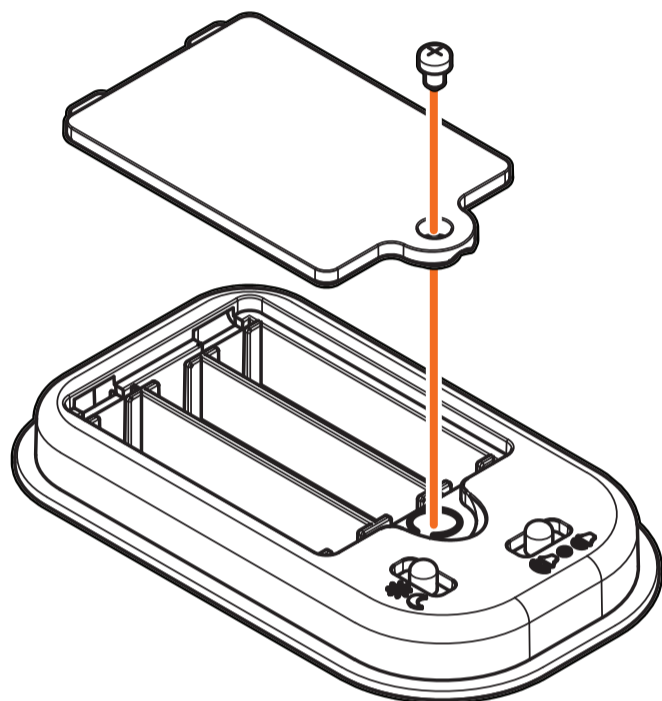
Use the switch on Wigglebug's battery pack to change Wigglebug from Play Mode to **Sleep Mode**.



When you switch Wigglebug into **Sleep Mode**, you will get to pick between several soothing sounds to accompany Wigglebug's glow. Press Wigglebug's foot to switch between beach, rain, outside, and lullaby sounds for one that your child enjoys listening to.

**After 10 minutes in Sleep Mode, Wigglebug will automatically turn off to conserve batteries.**





## REPLACING THE BATTERIES


- Open the bottom to access the battery compartment.
- Remove the screw(s) with a Mini Phillip screwdriver.
- Open the lid and replace the 3 "AAA" batteries.
- Close the lid and insert the screw(s).

## BATTERY SAFETY INFORMATION

- Adult supervision is recommended when inserting and removing batteries
- Do not use rechargeable batteries
- Do not mix old (used) and new batteries
- Do not mix alkaline, standard (carbon-zinc), or rechargeable batteries
- Do not attempt to recharge non-rechargeable batteries
- Batteries are to be inserted with the correct polarity (+ and -)
- Remove and properly dispose of exhausted batteries (recycle if possible)
- Do not short-circuit the supply terminals
- Do not dispose of batteries in fire as they may explode or leak
- Remove batteries from the product when not in use for extended periods of time
- Recycling: Please recycle used batteries and electrical products using the facilities provided by your local authority.



## WASHING INSTRUCTIONS

-  Due to Wigglebug's unique sensors, DO NOT put Wigglebug in the wash. If Wigglebug gets dirty, spot clean and air dry only.

Authorised Representative in the EU (for the purposes of Toy Safety Directive):  
Delphic HSE (Europe) B.V., The Base B,  
Evert van de Beekstraat 104, Schiphol, 1118CN, Netherlands.



For more fun, visit [playmonster.co.uk](https://playmonster.co.uk)

If you have questions, please contact us:  
<https://playmonster.co.uk/pages/customer-service>  
Call: 01628 488944 between 09.00 and 17.30,  
Monday to Thursday, or 09:00 - 15:00 on Fridays,  
excluding bank holidays. You can also email  
[customerservice@playmonster.co.uk](mailto:customerservice@playmonster.co.uk).

*Instructions must be retained since they contain important information.*

Designed and manufactured by: PlayMonster Group, LLC.  
Artisan, Hillbottom Road, High Wycombe HP12 4HJ.  
Please retain our address for future reference.  
PlayMonster UK Ltd. Made in China.  
**PLAYSKOOL, GLO FRIENDS** and **GLO WORM** and **HASBRO** and all related trademarks and logos are trademarks of Hasbro, Inc.  
© 2023 Hasbro. Parts and colours may vary from those shown.



**Product Code: FR121**