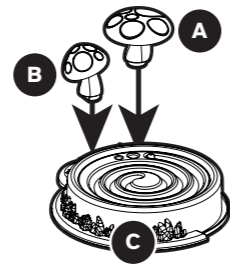
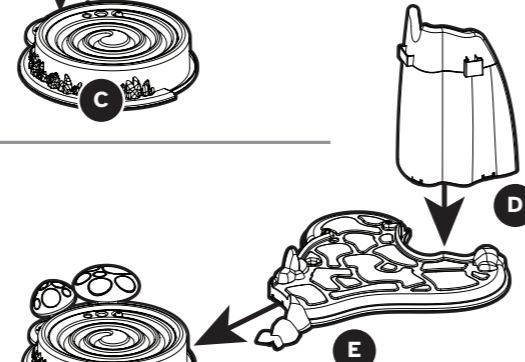


Playset Assembly

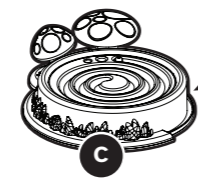
1 Snap pieces **A** and **B** into piece **C**



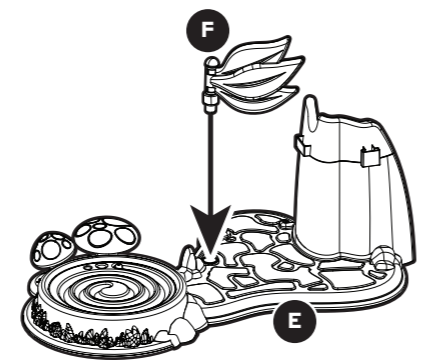
2 Snap piece **D** into piece **E**



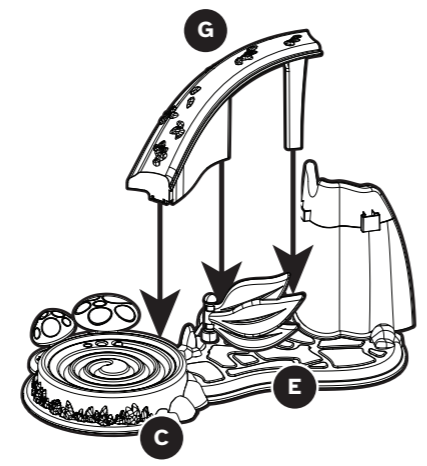
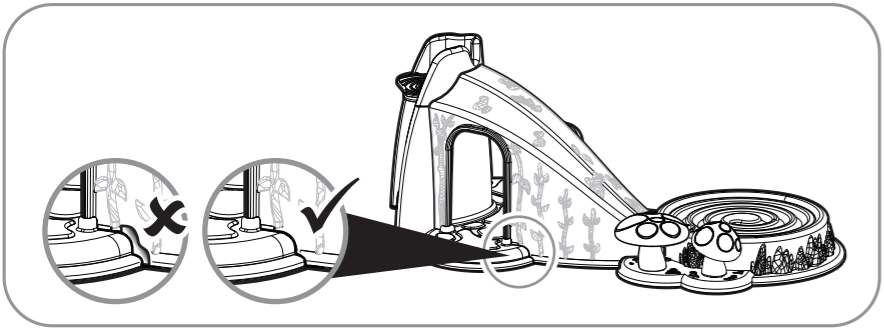
3 Snap that into piece **C**



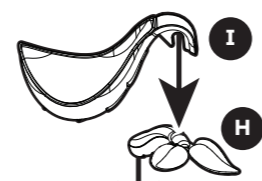
4 Snap piece **F** onto piece **E**



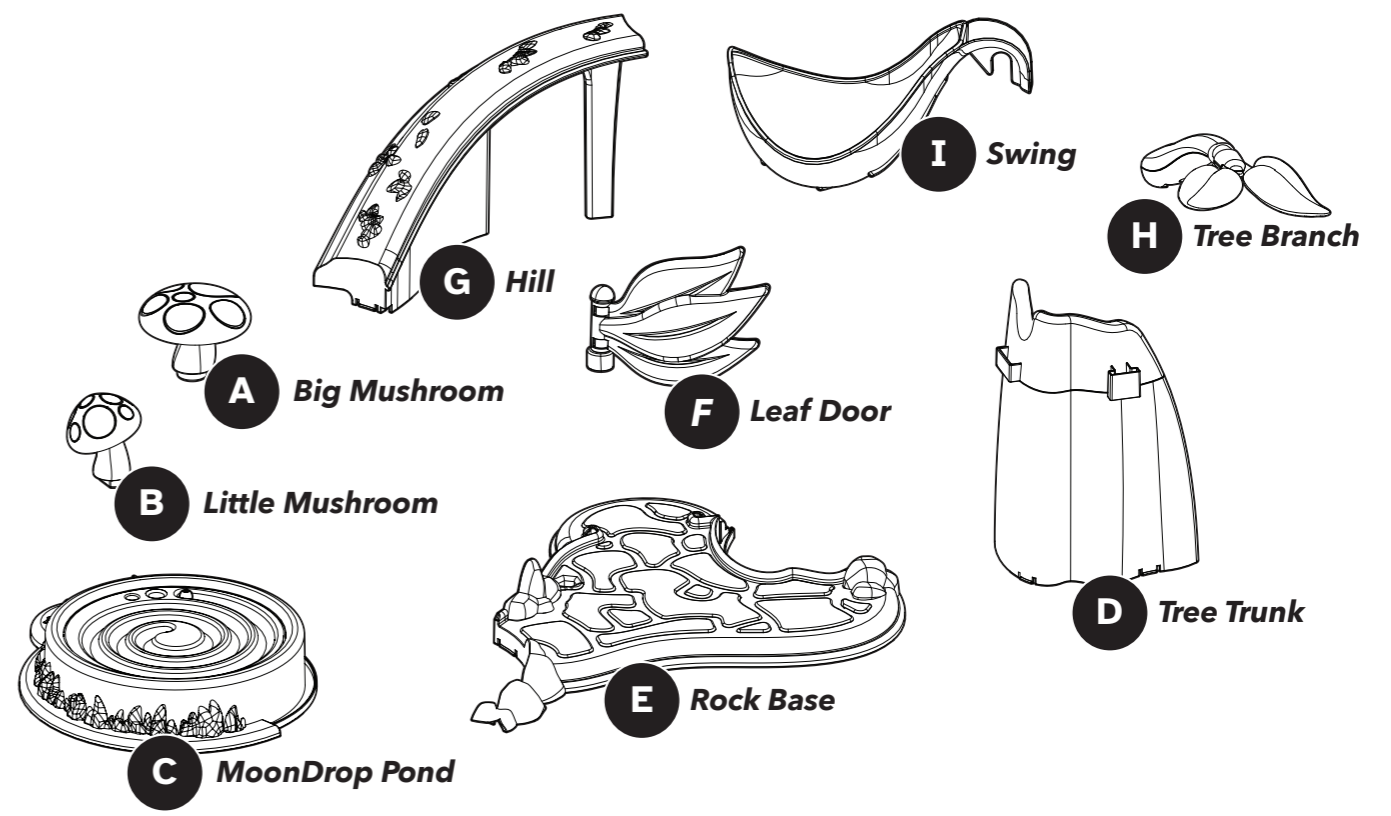
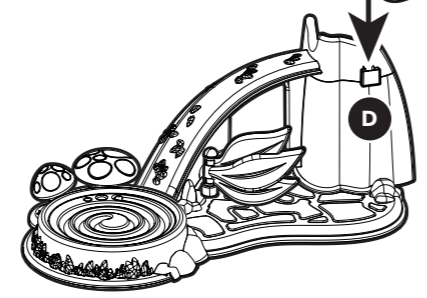
5 Snap piece **G** into pieces **C** and **E**



6 Snap piece **H** into piece **D**



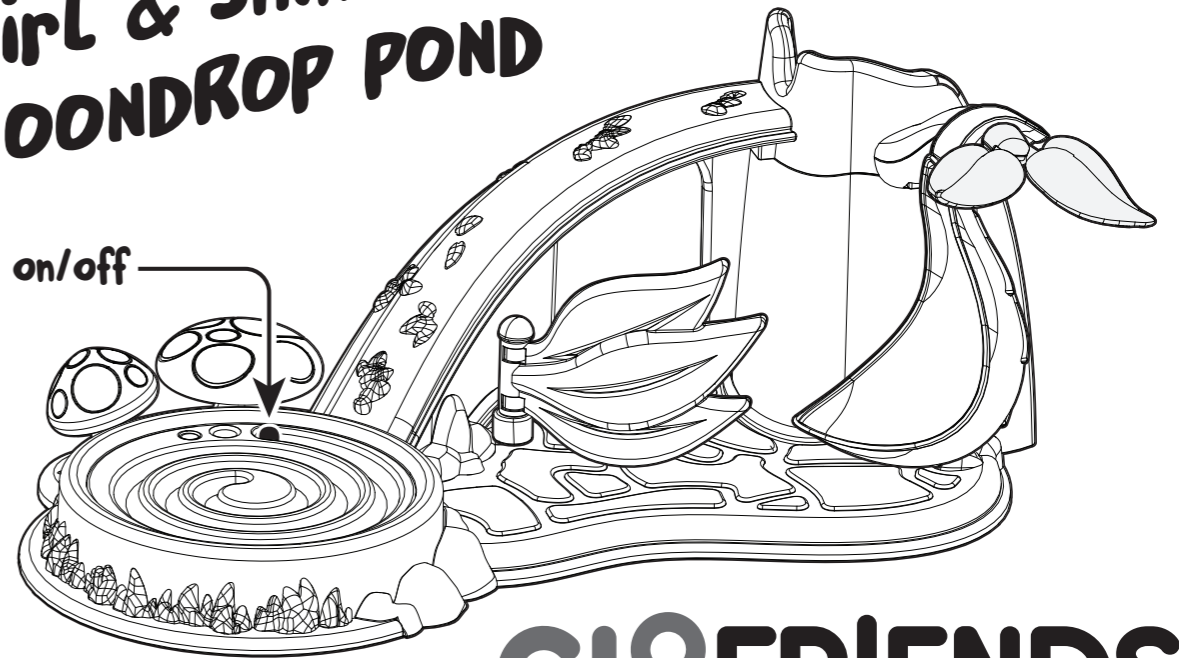
7 Put piece **I** onto piece **H**



swirl & shine MOONDROP POND

2+

Press on/off



GLO FRIENDS
GLOWORM

PLAYSKOOL

IMPORTANT: THIS IS NOT A WATER TOY

Press the bug's tummy once for a continuous glow, twice for a blinking glow, and three times to turn the glow off. After about 5 minutes, the bug will automatically shut off to preserve the battery.

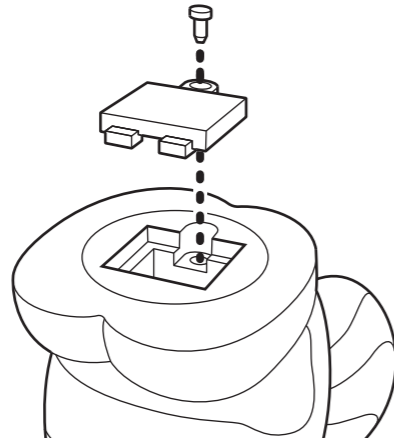
REPLACING THE BATTERIES

- Open the bottom to access the battery compartment.
- Remove the screw(s) with a Mini Phillip screwdriver.
- Open the lids and replace the 4 "AAA" batteries (3 for MoonDrop Pond and 1 for Firefly).
- Close the lid and insert the screw(s).



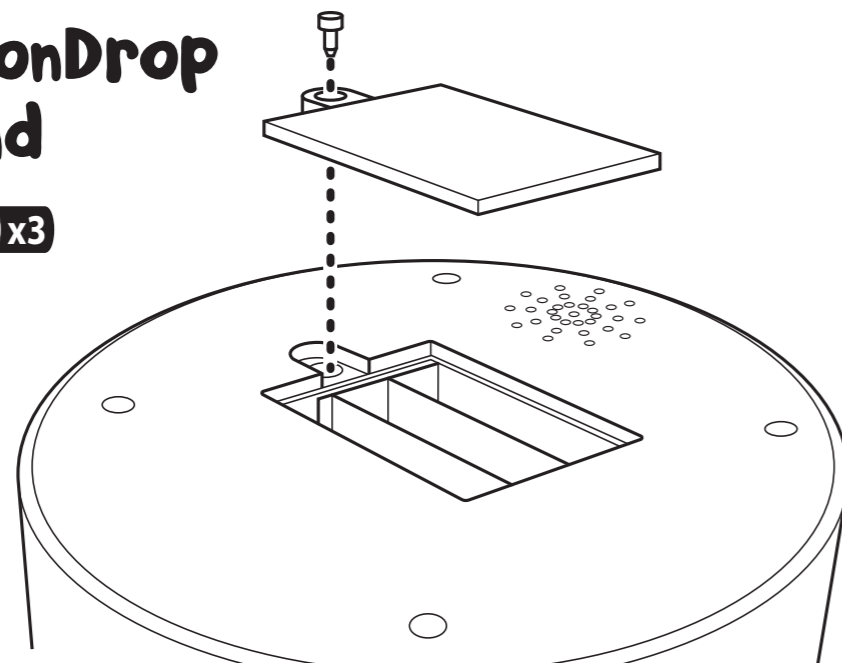
firefly

1.5V AAA X1



MoonDrop Pond

1.5V AAA X3



BATTERY SAFETY INFORMATION

- Adult supervision is recommended when inserting and removing batteries
- Do not use rechargeable batteries
- Do not mix old (used) and new batteries
- Do not mix alkaline, standard (carbon-zinc), or rechargeable batteries
- Do not attempt to recharge non-rechargeable batteries
- Batteries are to be inserted with the correct polarity (+ and -)
- Remove and properly dispose of exhausted batteries (recycle if possible)
- Do not short-circuit the supply terminals
- Do not dispose of batteries in fire as they may explode or leak
- Remove batteries from the product when not in use (depends on product type)
- Recycling: Please recycle used batteries and electrical products using the facilities provided by your local authority.



Instructions must be retained since they contain important information.

Parents-
for more information on Glo friends
and social & emotional learning, visit:



Authorised Representative in the EU (for the purposes of Toy Safety Directive):
Delphic HSE (Europe) B.V., The Base B,
Evert van de Beekstraat 104, Schiphol, 1118CN, Netherlands.

For more fun, visit playmonster.co.uk



If you have questions, please contact us:
<https://playmonster.co.uk/pages/customer-service>
Call: **01628 488944** between 09.00 and 17.30, Monday to Thursday, or 09:00 - 15:00 on Fridays, excluding bank holidays.
You can also email customerservice@playmonster.co.uk.



Designed and manufactured by: PlayMonster Group, LLC.
Artisan, Hillbottom Road, High Wycombe HP12 4HJ.
Please retain our address for future reference. PlayMonster UK Ltd. Made in China. **PLAYSKOOL**, **GLO FRIENDS** and **GLO WORM** and **HASBRO** and all related trademarks and logos are trademarks of Hasbro, Inc. © 2023 Hasbro. Parts and colours may vary from those shown.

Product Code: FR111