

# MCR-40RH70

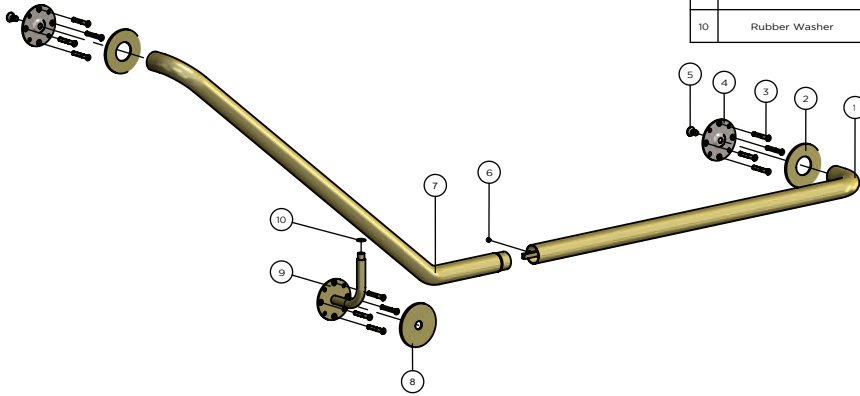
## 40 degree wall rail - Right Side

meir®



### EXPLODED VIEW

Item No.	Part Name	Qty.
1	Grab Rail	1
2	Cover	2
3	Heavy Duty Fixing Screw M5*40	12
4	Mounting Base	2
5	Fixing Screw M8*20	2
6	Screw Cover	1
7	Grab Rail	1
8	Cover	1
9	Mounting Base	1
10	Rubber Washer	1



### CARE

- Do not apply physical items (such as tools) directly to the product.
- Do not install the products using any form of acetone silicones.
- Never use house-hold or commercial detergents, citrus based cleaners, or abrasive cleaners.
- Clean using a mild washing soap solution rinsed, and dry with a soft cloth.
- Refer to the installation manual for correct installation.

### FEATURES

- Refer to the Meir website for warranty terms & conditions, and available finishes.
- Solid Stainless Steel construction with PVD finishes.
- Magnetic wall plate covers.
- Conforms with AS 1428 Design for Access and Mobility standard.
- Load bearing capacity of 150kg

### SPECIFICATIONS

