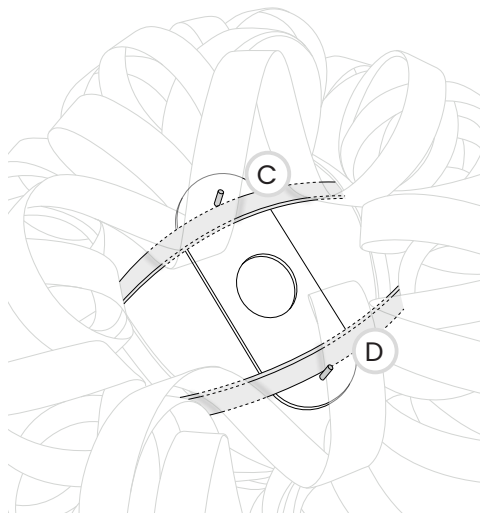
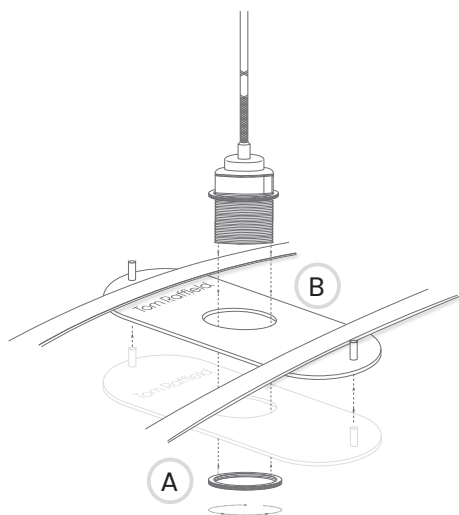


No.1 Pendant Installation Instructions



Only qualified persons should assemble the luminaire. If in doubt, consult a suitably qualified person. Installation MUST be carried out in accordance and compliance with current building regulations.

All Tom Raffield No.1 Pendants have been designed to fit an existing E27/ES (Edison Screw) fitting and the optional E27 ceiling kit provided. This must be installed by a qualified electrician before following the instructions below. Separate ceiling kit installation instructions are provided. If you are fitting to a B22/BC (Bayonet Cap) you will need a shade ring reducer/adaptor which we can supply.

Ensure the electrical supply is turned OFF at the fuse board.

1. To fit the lampshade to the ceiling kit, unscrew the shade ring (A) exposing the thread of the lamp holder. Sandwich the wooden disk (B) between the lamp holder and shade ring and tighten to ensure the shade is held securely. Make sure the small wooden pegs are facing upwards towards the ceiling.
2. Screw in your chosen light bulb. The lampshade has been designed to work with an **LED** bulb, up to a maximum of **25 Watts**.
3. Slot the disk inside the opening at the top of the No.1 pendant and hook the two wooden pegs under the two support arms as shown above right, making sure they are central to the support arms (C) and (D). Take care not to squash the light bulb too much between the support arms.
4. Turn the power supply on to complete installation.