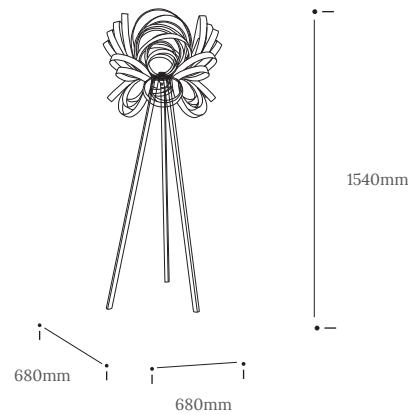


BUTTERFLY FLOOR LIGHT

Product Specification

Tom Raffield

Butterfly Floor Light



A medley of layered strips arc in swooping curves. Beating wings in full flight. Our Butterfly Lighting Range balances beauty and energy to striking effect.

Dynamic. Bold. Wild. A surge of vitality; a precision of craftsmanship. Shaped from sustainably sourced ash, oak or walnut, in its loops light collects, then falls free. Casting a subtle, warm glow alongside lively shadows – the Butterfly creates an atmosphere that's truly arresting. Use the Butterfly to illuminate specific areas, to layer light and create ambiance in your space.

Introduce vitality. Invite admiration.

The Butterfly Lighting Range is also available as a standard and giant pendant light.

Product Type : Floor Light	SKU	Wood types	Dimensions L x W x H (mm)		Weight (kg)	
			Unboxed	Boxed	Unboxed	Boxed
Butterfly Floor Light	TR-BUT-WDFLR-O	Oak	680 x 680 x 1540	Shade 620 x 615 x 530	4	6.9
	TR-BUT-WDFLR-W	Walnut		Stand 1260 x 135 x 135		
Materials	Oak	Walnut	Other materials			
			Metal mounting plate	Birch ply mounting disk		
Finish	Wooden floor stand - Finished with a blend of natural wax oils to give a protective, hardwearing and beautiful finish. Shade - Non-toxic, hard wearing water based varnish - satin					
Wiring kit options	Brass bulb holder with black inline foot switch and plug		Wiring kit	Flex	Reccomended light bulb	
			Plastic inline foot switch	Flex colour: grey fabric	Max 25W LED (not included)	
			E27 (240v)	Cable length: 240cm from plug to bulb holder		
Care information	Dusting your light regularly and with a light feather duster should keep your light looking clean, otherwise wipe with a damp cloth and remove any moisture with a dry cloth. Gentle furniture polishes can also be used.					
Additional information	<ul style="list-style-type: none"> Suitable for use on 240v circuits. This product can be plugged straight into a 240v outlet. Assembly instructions and fixings included. 					