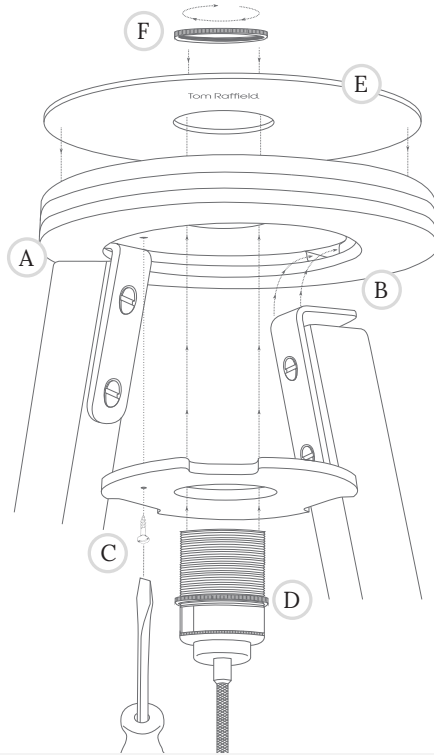


Floor Light Assembly Instructions



Before attaching your lampshade and lamp holder to the tripod, you first need to assemble the tripod stand and secure the legs in place using the locking disk and brass screw.

1. To fit the wooden legs to the plywood top plate, gently slot the legs one at a time in to the slots inside the opening of the plywood top plate, ensuring the brass bracket is pushed in as far as it will go. (A and B).
2. At this point, the legs are not fully held in place so they could potentially loosen from the slot. To temporarily hold them in place, carefully splay each leg so that it is held under tension to stop them from moving and coming loose.
3. To secure the legs in place, take the locking disk and screw and carefully drive the screw into the small pre-drilled pilot hole (C), wedging the brass brackets of the legs between the top plate and locking disk.
4. Remove one of the shade rings from the bulb holder and thread the other all the way to the base of the threaded collar (D). Slot the the bulb holder through the locking disk and tripod top plate. While holding the bulb holder from underneath, place the lampshade (E) on the tripod top plate/bulb holder and secure in place using the additional shade ring (F). This should be done up tight to ensure the shade is secure and that the locking disk is in the correct position to hold the legs firmly.
5. Screw in your chosen light bulb and then plug the light into the nearest outlet. The light has been designed to work with an E27 LED light bulb, up to a maximum of 25 Watts.

*** If the external flexible cable or cord of this luminaire is damaged, it shall be exclusively replaced by the manufacturer or his service agent or a similar qualified person in order to avoid a hazard. ***

For more information on the assembly of your product: contact@tomraffield.com +44 (0)1326 722725