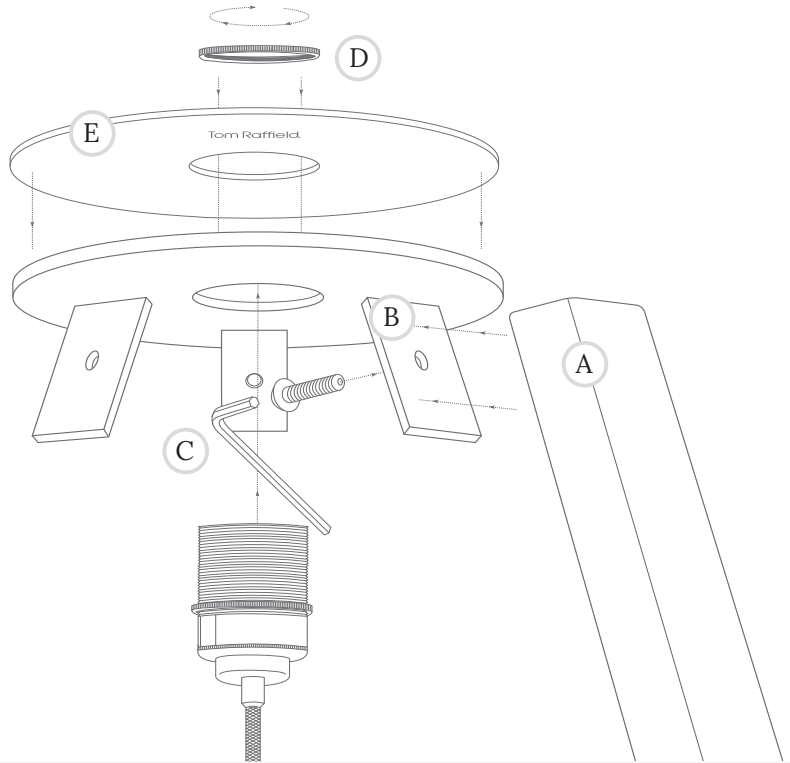


Floor Light Assembly Instructions



Before attaching your lampshade and lamp holder to the stand, you first need to attach the legs of the tripod to the metal top plate.

1. To fit the wooden legs to the metal top plate, gently slot the legs one at a time onto the protruding metal tabs ensuring the hole in the metal tab and the threaded insert inside the wooden leg are aligned (A and B).
2. Using the hex key provided, slowly tighten the bolt connecting the wooden leg to the top plate (C). Repeat this process for the remaining two legs.
3. To fit the lampshade to the tripod, unscrew the shade ring (D) exposing the thread of the lamp holder. Sandwich the wooden disk (E) of the lampshade and the metal top plate of the stand between the lamp holder and shade ring and tighten to ensure the shade is held securely.
4. Screw in your chosen light bulb and then plug the light into the nearest outlet. The light has been designed to work with an E27 **LED** light bulb, up to a maximum of **25 Watts**.

*** If the external flexible cable or cord of this luminaire is damaged, it shall be exclusively replaced by the manufacturer or his service agent or a similar qualified person in order to avoid a hazard. ***

For more information on the assembly of your product: contact@tomraffield.com +44 (0)1326 722725