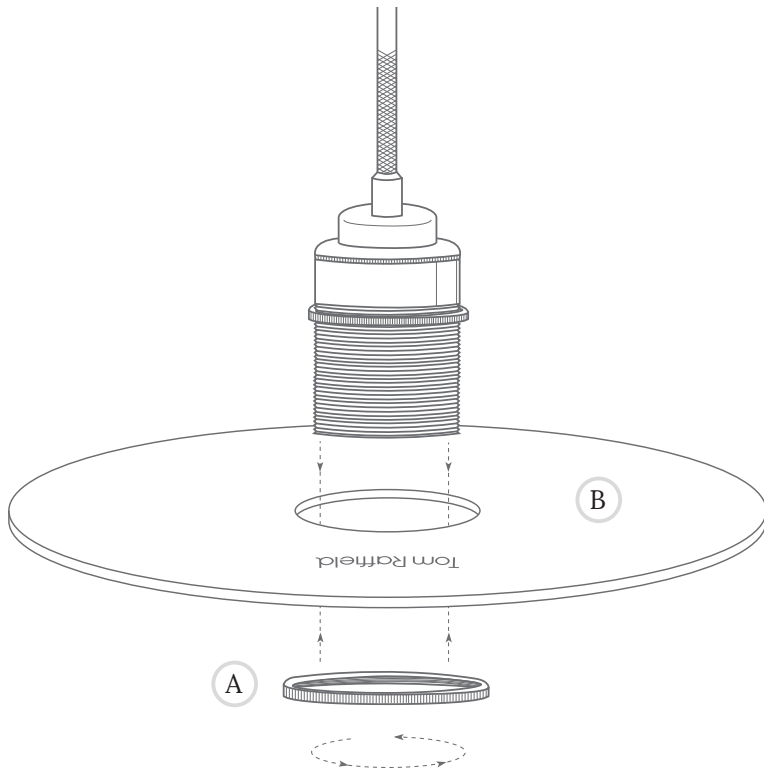


Mullion Floor Light Assembly Instructions



1. To fit the lampshade to wooden arm, unscrew the shade ring (A) exposing the thread of the lamp holder. Sandwich the wooden disk (B) of the lampshade between the lamp holder and shade ring and tighten to ensure the shade is held securely.
2. Screw in your chosen light bulb and then plug the light into the nearest outlet. The light has been designed to work with an E27 **LED** light bulb, up to a maximum of **25 Watts**.

*** If the external flexible cable or cord of this luminaire is damaged, it shall be exclusively replaced by the manufacturer or his service agent or a similar qualified person in order to avoid a hazard. ***

For more information on the assembly of your product: contact@tomraffield.com +44 (0)1326 722725