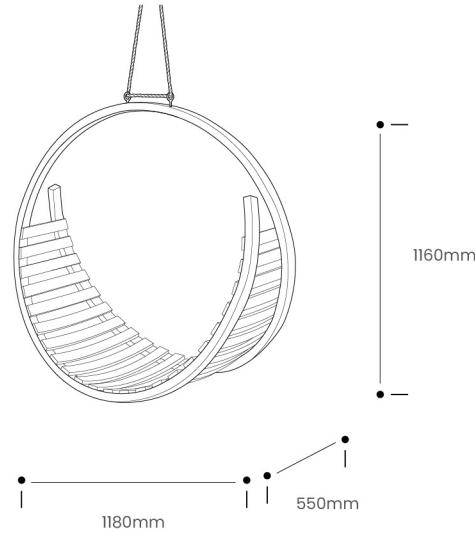


AMBLE HANGING SEAT

Product Specification

Tom Raffield

Amble Hanging Seat



Seemingly floating in space, the graceful Amble Hanging Seat beckons for a moment to relax. A statement piece designed by Tom Raffield to elevate your mood as much as your interior space.

With a weightlessness that is testament to our skilled craftsmanship and design, the Amble is formed from two creamy lengths of sustainably sourced ash, steam bent and scarf joined together by hand. The appearance of a perfect circle from the side, it holds itself with striking effect.

Slow down. Take a seat. Become inspired.

Product Type : Furniture	SKU	Wood types	Dimensions L x W x H (mm)		Weight (kg)	
			Unboxed	Boxed	Unboxed	Boxed
Amble Hanging Seat	TR-AMB-F-A	Ash	1180 x 550 x 1160	1220 x 585 x 1230	10.1	19.1
Materials	Ash	Natural hemp rope	Other materials		Stainless steel hanging components	
Finish	Finished with a blend of natural wax oils to give a protective, hardwearing and beautiful finish.					
Care information	<ul style="list-style-type: none"> Finish: The blend of natural oils can take up to four weeks to harden fully. Because of this, particular care should be taken in the first few weeks after delivery before cleaning, see below. Care: Solid wood may expand and shrink with differences in temperature and humidity so take care not to place your furniture directly next to anywhere with excessive changes in temperature such as radiators and windows. Cleaning: To clean on a regular basis wipe the surface with a damp cloth before removing any moisture with a dry cloth. Wipe off anything that will stain straight away, eg red wine, balsamic vinegar, oil, tea, coffee, alcohol, etc. In the event of severe spillages and stains the surface can be lightly re-sanded and re-oiled - please talk to us or a professional furniture restorer before doing so. 					
Additional information	<ul style="list-style-type: none"> Installation instructions and fixings included. Not suitable for uncovered outdoor use. 100kg Max load. Must be hung from a joist/beam capable of supporting at least 100kg. 					

Tom Raffield Ltd, F3 Church View Business Park, Bickland Water Rd, Falmouth TR11 4FZ, UK
 tomraffield.com contact@tomraffield.com +44 (0) 1326 722725 #tomraffield @tomraffield

Due to the character of handcrafted natural products, all dimensions are approximate. Wood colour may slightly vary.
 All products, prices and leadtimes are correct at time of print and are subject to change without notice.