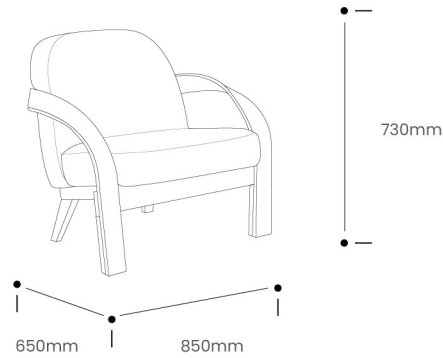


ARBOR ARMCHAIR

Product Specification

Tom Raffield

Arbor Armchair



A powerful curve of steam bent wood bonds structure and aesthetic. Marrying Tom Raffield craftsmanship with Danish design principles, our Arbor Furniture Range defies nature with startling simplicity.

One length of sustainably sourced oak pushed to its limits. Three craftsmen simultaneously using all their skill to see the timber yield. A graceful tension. An inviting curve. A victory of design.

The Arbor Armchair matches creativity with comfort — borrowing from nature then bending it beyond.

Sit. Touch. Feel the craft under your fingers.

The Arbor Furniture Range also comes as a sofa.

Product Type : Furniture	SKU	Wood types	Dimensions L x W x H (mm)		Weight (kg)	
			Unboxed	Boxed	Unboxed	Boxed
Arbor Armchair - Sea Grass	TR-ARB-C-F-O-SG	Oak + Wool	850 x 650 x 730	875 x 760 x 810	13.1	17.5
Arbor Armchair - Candy Pink	TR-ARB-C-F-O-CDY	Oak + Wool				
Arbor Armchair - Earth Silver	TR-ARB-C-F-O-ES	Oak + Wool				
Arbor Armchair - Hallingdal 65	TR-ARB-C-F-O-H65-166	Oak + Wool				
Arbor Armchair - Bespoke Fabric	TR-ARB-C-F-O-BSP	Oak + Bespoke Fabric				
Materials	Oak	<div style="display: flex; justify-content: space-around;"> <div style="text-align: center;">Candy Pink wool</div> <div style="text-align: center;">Earth Silver wool</div> </div> <div style="display: flex; justify-content: space-around;"> <div style="text-align: center;">Sea Grass wool</div> <div style="text-align: center;">Hallingdal 65-166</div> </div>	Other Materials	Bespoke fabric		
Finish	Finished with a blend of natural wax oils to give a protective, hardwearing and beautiful finish.					
Care information	<ul style="list-style-type: none"> Finish: The blend of natural oils can take up to four weeks to harden fully. Because of this, particular care should be taken in the first few weeks after delivery before cleaning, see below. Care: Solid wood may expand and shrink with differences in temperature and humidity so take care not to place your furniture directly next to anywhere with excessive changes in temperature such as radiators and windows. Cleaning: To clean on a regular basis wipe the surface with a damp cloth before removing any moisture with a dry cloth. Wipe off anything that will stain straight away, eg red wine, balsamic vinegar, oil, tea, coffee, alcohol, etc. In the event of severe spillages and stains the surface can be lightly re-sanded and re-oiled - please talk to us or a professional furniture restorer before doing so. We use high-quality fabrics on all of our upholstered pieces, giving a beautiful and hard wearing finish. We recommend vacuuming the fabric as needed, using an upholstery attachment. Immediately soak up any stains with a soft absorbent cloth. If the stain resists spot cleaning, contact a professional cleaner. Commercial settings may require more frequent cleaning following care guide instructions. Please get in touch to request a fabric sample or if you have any questions about caring for your Tom Raffield product. 					