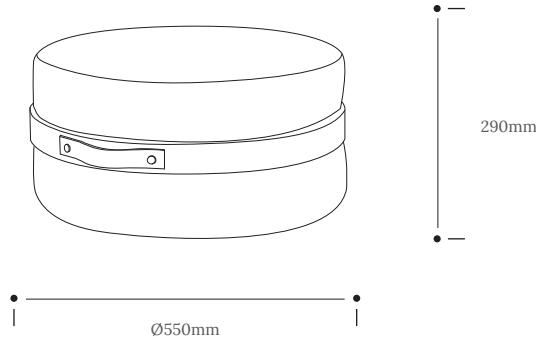


# BEEBLE POUFFE

## Product Specification

# Tom Raffield

Beeble Pouffe



Intuitive, dynamic, versatile. The Beeble Pouffe's playful design means it can be picked up and moved around to offer seating in response to a myriad of spaces.

Furling steam bent oak arms around a temptingly curved macaron-like form, the Beeble Pouffe also offers a resting place for weary feet. Handcrafted from sustainably sourced wood and featuring a leather handle detail, it comes upholstered in 100% British wool complementary to the Tom Raffield collection.

Be good to yourself. And clever with your space.

Product Type : Furniture	SKU	Wood types	Dimensions L x W x H (mm)		Weight (kg)	
			Unboxed	Boxed	Unboxed	Boxed
Beeble Pouffe- Sea Grass	TR-BBL-P-F-O-SG	Oak + Wool	Ø550 x 290	615 x 615 x 390	5.5	7.6
Beeble Pouffe - Candy Pink	TR-BBL-P-F-O-CDY	Oak + Wool				
Beeble Pouffe - Earth Silver	TR-BBL-P-F-O-ES	Oak + Wool				
Beeble Pouffe - Hallingdal 65	TR-BBL-P-F-O-H65-166	Oak + Wool				
Beeble Pouffe - Bespoke Fabric	TR-BBL-P-F-O-BSP	Oak + Bespoke Fabric				
Materials	Oak	Candy Pink wool	Earth Silver wool	Other Materials		
		Sea Grass wool	Hallingdal 65-166	Leather handle		
Finish	Finished with a blend of natural wax oils to give a protective, hardwearing and beautiful finish.					
Care information	<ul style="list-style-type: none"> <li>Finish: The blend of natural oils can take up to four weeks to harden fully. Because of this, particular care should be taken in the first few weeks after delivery before cleaning, see below.</li> <li>Care: Solid wood may expand and shrink with differences in temperature and humidity so take care not to place your furniture directly next to anywhere with excessive changes in temperature such as radiators and windows.</li> <li>Cleaning: To clean on a regular basis wipe the surface with a damp cloth before removing any moisture with a dry cloth. Wipe off anything that will stain straight away, eg red wine, balsamic vinegar, oil, tea, coffee, alcohol, etc. In the event of severe spillages and stains the surface can be lightly re-sanded and re-oiled - please talk to us or a professional furniture restorer before doing so.</li> <li>We use high-quality fabrics on all of our upholstered pieces, giving a beautiful and hard wearing finish. We recommend vacuuming the fabric as needed, using an upholstery attachment. Immediately soak up any stains with a soft absorbent cloth. If the stain resists spot cleaning, contact a professional cleaner. Commercial settings may require more frequent cleaning following care guide instructions. Please get in touch to request a fabric sample or if you have any questions about caring for your Tom Raffield product.</li> </ul>					