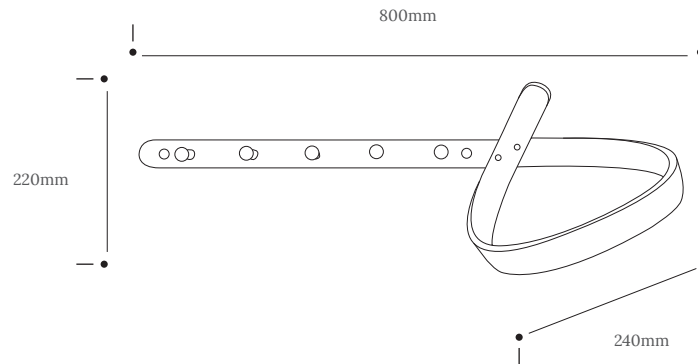


COAT LOOP

Product Specification

Tom Raffield


Coat Loop



A brushstroke of steam bent timber, finishing with a flourish. Redefining a classic, our Coat Loop design gives even the most functional of furnishings flare.

Turning straight into seductive with a confident curve, our Coat Loop stretches and sweeps along your wall. Handcrafted from a single piece of sustainably sourced oak. An inviting resting place for outerwear.

Hang, drape, or leave bare – your garments and your wall will thank you for it.

Product Type : Furniture	SKU	Wood types	Dimensions L x W x H (mm)		Weight (kg)	
			Unboxed	Boxed	Unboxed	Boxed
Coat Loop - Left hand loop	TR-CL-F-O-L	Oak	800 x 240 x 220	910 x 480 x 280	0.7	1.9
Coat Loop - Right hand loop	TR-CL-F-O-R	Oak				
Materials	Oak 				Other materials	
					-	
Finish	Finished with a blend of natural wax oils to give a protective, hardwearing and beautiful finish.					
Care information	<ul style="list-style-type: none"> Finish: The blend of natural oils can take up to four weeks to harden fully. Because of this, particular care should be taken in the first few weeks after delivery before cleaning, see below. Care: Solid wood may expand and shrink with differences in temperature and humidity so take care not to place your furniture directly next to anywhere with excessive changes in temperature such as radiators and windows. Cleaning: To clean on a regular basis wipe the surface with a damp cloth before removing any moisture with a dry cloth. Wipe off anything that will stain straight away, eg red wine, balsamic vinegar, oil, tea, coffee, alcohol, etc. In the event of severe spillages and stains the surface can be lightly re-sanded and re-oiled - please talk to us or a professional furniture restorer before doing so. 					
Additional information	<ul style="list-style-type: none"> Product care instructions included. Installation instructions and fixings included. Available with a left hand or right hand loop. 					