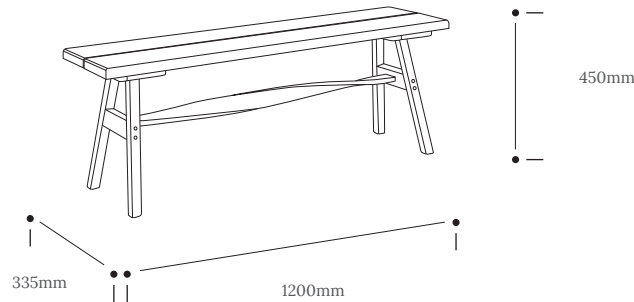


CRIB BENCH

Product Specification

Tom Raffield

Crib Bench




Perfect proportions and clarity of purpose, augmented with an unexpected twist. A steam bent solid oak strut turns our seemingly unassuming Crib Furniture Range into a serious design statement.

A balancing act of craftsmanship and creativity. Timeless while contemporary. Trusted while surprising. The Crib Bench's steam bent twist of sustainably sourced oak brings our signature aesthetic to the fore. Subtle, playful and different from every angle – the Crib Bench will always attract attention.

See your seating differently.

The Crib Furniture Range is available as a stool, an upholstered bench or a console table.

Product Type : Furniture	SKU	Wood types	Dimensions L x W x H (mm)		Weight (kg)	
			Unboxed	Boxed	Unboxed	Boxed
Crib Bench	TR-CRB-B-F-O	Oak	1200 x 335 x 450	1540 x 395 x 515	12	14.8
Materials	Oak				Other materials	
Finish	Finished with a blend of natural wax oils to give a protective, hardwearing and beautiful finish.					
Care information	<ul style="list-style-type: none"> Finish: The blend of natural oils can take up to four weeks to harden fully. Because of this, particular care should be taken in the first few weeks after delivery before cleaning, see below. Care: Solid wood may expand and shrink with differences in temperature and humidity so take care not to place your furniture directly next to anywhere with excessive changes in temperature such as radiators and windows. Cleaning: To clean on a regular basis wipe the surface with a damp cloth before removing any moisture with a dry cloth. Wipe off anything that will stain straight away, eg red wine, balsamic vinegar, oil, tea, coffee, alcohol, etc. In the event of severe spillages and stains the surface can be lightly re-sanded and re-oiled - please talk to us or a professional furniture restorer before doing so. 					
Additional information	<ul style="list-style-type: none"> Product care instructions included. 					