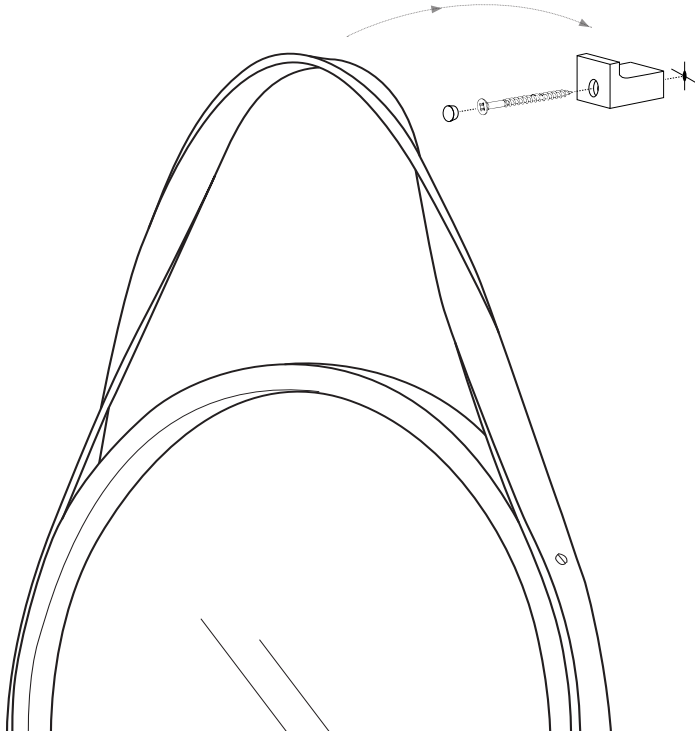


## Harlyn Mirror Installation Instructions



1. Identify if there are any hidden pipes or electrical cables in the wall to avoid causing damage or risk of electrical shock during installation. Make a mark on the wall about 1.5cm lower than where you require the top of the wooden strap to hang from. **The wall must be capable of supporting the weight of the Harlyn Mirror Large (6-7kg)**. Determine the fixing method appropriate to the wall structure (e.g. plaster board plugs for a 4mm screw). If attaching to a wooden surface, no additional fixings are required.
2. Using a Pozidriv screwdriver, screw the wooden L bracket to the wall with the screw provided, ensuring it is tightened all the way and sits flush against the wall. You can straighten the bracket by hand if needed.
3. Carefully hang the mirror on the wooden L bracket and adjust to level.