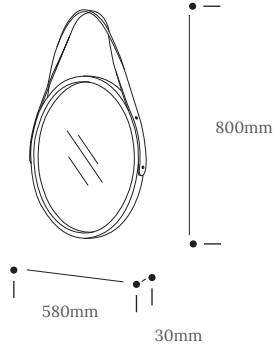


HARLYN MIRROR

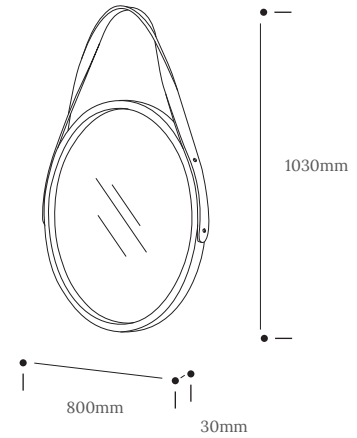
Product Specification

Tom Raffield

Harlyn Mirror



Harlyn Mirror Large



Playing with steam bent oak to mimic a twisted, leather strap, the Harlyn Mirror is a versatile, sculptural piece that brings your room to life.

Effortless and elegant, the Harlyn's frame and hanging loop are simultaneously handcrafted from sustainably sourced oak to create a minimalistic design worthy of reflection.

Create a sense of space. Turn heads.

Product Type : Furniture	SKU	Wood types	Dimensions L x W x H (mm)		Weight (kg)	
			Unboxed	Boxed	Unboxed	Boxed
Harlyn Mirror	TR-HAR-F-O	Oak	580 x 30 x 800	845 x 625 x 80	3.4	6.2
Harlyn Mirror Large	TR-HAR-F-O-LRG	Oak	800 x 30 x 1030	1095 x 835 x 65	6.5	10.5
Materials	Oak				Other materials	
					Glass mirror	
Finish	Finished with a blend of natural wax oils to give a protective, hardwearing and beautiful finish.					
Care information	<ul style="list-style-type: none"> Finish: The blend of natural oils can take up to four weeks to harden fully. Because of this, particular care should be taken in the first few weeks after delivery before cleaning, see below. Care: Solid wood may expand and shrink with differences in temperature and humidity so take care not to place your furniture directly next to anywhere with excessive changes in temperature such as radiators and windows. Cleaning: To clean on a regular basis wipe the surface with a damp cloth before removing any moisture with a dry cloth. Wipe off anything that will stain straight away, eg red wine, balsamic vinegar, oil, tea, coffee, alcohol, etc. In the event of severe spillages and stains the surface can be lightly re-sanded and re-oiled - please talk to us or a professional furniture restorer before doing so. 					
Additional information	<ul style="list-style-type: none"> Product care instructions included. Assembly instructions and fixings included. 					