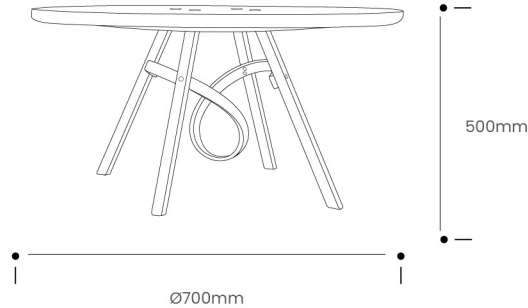


MAY COFFEE TABLE

Product Specification

Tom Raffield

May Coffee Table




The pinnacle of complex bends that our steam bending skills can achieve. The sculptural May Coffee Table is a masterful interpretation of contemporary design, making an elegant statement in your space.

Swooping around to meet all four legs and handcrafted from a single piece of sustainably sourced oak the May's hero feature is its curved support. While the simplistic round table top showcases the striking grain and tone of wood.

A functional design that combines relaxed living with striking aesthetic.

Get adventurous with design.

Product Type : Furniture	SKU	Wood types	Dimensions L x W x H (mm)		Weight (kg)	
			Unboxed	Boxed	Unboxed	Boxed
May Coffee Table	TR-MCT-F-O	Oak	Ø700 x 500	725 x 725 x 530	12	16
Materials	Oak 				Other materials	
					-	
Finish	Finished with a blend of natural wax oils to give a protective, hardwearing and beautiful finish.					
Care information	<ul style="list-style-type: none"> Finish: The blend of natural oils can take up to four weeks to harden fully. Because of this, particular care should be taken in the first few weeks after delivery before cleaning, see below. Care: Solid wood may expand and shrink with differences in temperature and humidity so take care not to place your furniture directly next to anywhere with excessive changes in temperature such as radiators and windows. Cleaning: To clean on a regular basis wipe the surface with a damp cloth before removing any moisture with a dry cloth. Wipe off anything that will stain straight away, eg red wine, balsamic vinegar, oil, tea, coffee, alcohol, etc. In the event of severe spillages and stains the surface can be lightly re-sanded and re-oiled - please talk to us or a professional furniture restorer before doing so. 					
Additional information	<ul style="list-style-type: none"> Product care instructions included. 					