

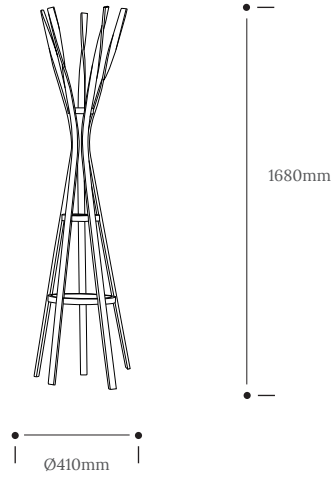
# TWILL COAT STAND

Product Specification

# Tom Raffield

Twill Coat Stand

Oak - £495




Weaving together form and function, the Twill Coat Stand threads steam bent lengths of oak creating an intuitive place for hanging coats, towels or accessories.

Elegant curves draw together and radiate out again in captivating fashion. Handcrafted from sustainably sourced oak and featuring signature twists at its top, the Twill also showcases our steam bending craftsmanship in its three supportive rings.

A stylish and practical addition to any reception area or hallway.

Make the everyday extraordinary.

Product Type : Furniture	SKU	Wood types	Dimensions L x W x H (mm)		Weight (kg)	
			Unboxed	Boxed	Unboxed	Boxed
Twill Coat Stand	TR-TCS-F-O	Oak	Ø410 x 1680	410 x 410 x 1710	2.65	6.5
Materials	Oak 		Other materials			
Finish	Finished with a blend of natural wax oils to give a protective, hardwearing and beautiful finish.					
Care information	<ul style="list-style-type: none"> <li>Finish: The blend of natural oils can take up to four weeks to harden fully. Because of this, particular care should be taken in the first few weeks after delivery before cleaning, see below.</li> <li>Care: Solid wood may expand and shrink with differences in temperature and humidity so take care not to place your furniture directly next to anywhere with excessive changes in temperature such as radiators and windows.</li> <li>Cleaning: To clean on a regular basis wipe the surface with a damp cloth before removing any moisture with a dry cloth. Wipe off anything that will stain straight away, eg red wine, balsamic vinegar, oil, tea, coffee, alcohol, etc. In the event of severe spillages and stains the surface can be lightly re-sanded and re-oiled - please talk to us or a professional furniture restorer before doing so.</li> </ul>					
Additional information	<ul style="list-style-type: none"> <li>Product care instructions included.</li> </ul>					