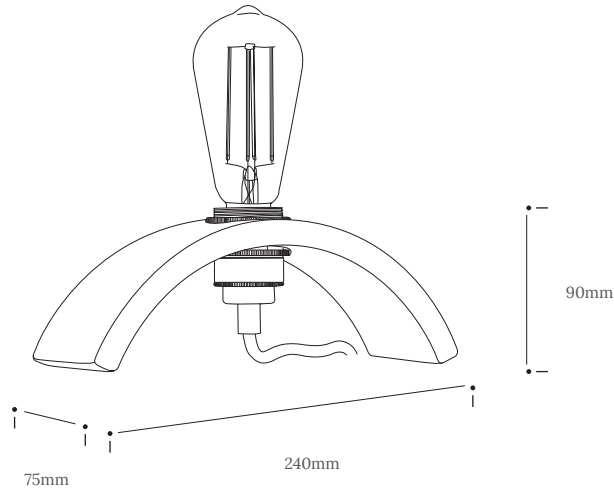


ARCHER TABLE LIGHT

Product Specification

Tom Raffield




Archer Table Light



A taut, arching crescent of sustainably sourced oak shoulders a decorative LED bulb. Strong and sleek, the Archer Table Light emanates paired back elegance whilst producing ambient task lighting.

Inspired by industrial simplicity, the Archer Table Light is handcrafted from steam bent oak wood and is accented by a brass light fitting that nestles into its architectural base. A striking, stand alone table light design that showcases confident curves and a timeless aesthetic.

Invite light. Redefine minimalism.

Product Type : Table Light	SKU	Wood types	Dimensions L x W x H (mm)		Weight (kg)	
			Unboxed	Boxed	Unboxed	Boxed
Archer Table Light	TR-ARCH-TBL-O	Oak	240 x 75 x 90	270 x 130 x 100	0.55	0.8
Materials	Oak 				Other materials	
Finish	Finished with a blend of natural wax oils to give a protective, hardwearing and beautiful finish.					
Wiring kit options	Brass bulb holder with black inline switch and plug 	Wiring kit	Flex		Reccomended light bulb	
		Plastic inline switch	Flex colour: grey fabric 		Max 25W LED	
		E27 (240v)	Cable length: 228cm from plug to bulb holder			
Care information	Dusting your light regularly and with a light feather duster should keep your light looking clean, otherwise wipe with a damp cloth and remove any moisture with a dry cloth. Gentle furniture polishes can also be used.					
Additional information	<ul style="list-style-type: none"> Suitable for use on 240v circuits. This product can be plugged straight into a 240v outlet. 					