

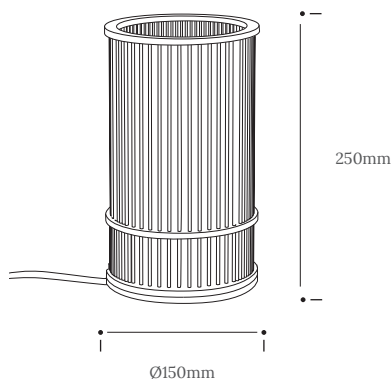
ARTUS TABLE LIGHT

Product Specification

Tom Raffield

Artus Table Light and LED Filament Bulb



Birch - £125



A fine birch dowel cage contains its blown-glass bulb within. Daring yet delicate, the Artus Table Light diffracts a mesmerising pattern of shadows, dramatising your space.

Fine, ethereal dowel is slotted into a laser-cut birch ply base to shroud an exposed filament bulb. Intricately placed, each illuminated pillar distributes kaleidoscopic, vertical shadows that mesmerise the eye of the beholder. Handcrafted from sustainably sourced wood.

Illuminate. Pack a punch. Draw the eye.

Product Type : Table Light	SKU	Wood types	Dimensions L x W x H (mm)		Weight (kg)	
			Unboxed	Boxed	Unboxed	Boxed
Artus Table Light and LED Filament Bulb	TR-ART-TBL-B	Birch	Ø150 x 250	540 x 312 x 165	0.55	1.5
Materials	Birch				Other materials	
					Birch dowel	
Finish	Non-toxic, hard wearing water based varnish - satin					
Wiring kit options	Brass bulb holder with black inline switch and plug 	Wiring kit Plastic inline switch E27 (240v)	Flex Flex colour: grey fabric Cable length: 228cm from plug to bulb holder 	Reccomended light bulb Max 25W LED		
Care information	Dusting your light regularly and with a light feather duster should keep your light looking clean, otherwise wipe with a damp cloth and remove any moisture with a dry cloth. Gentle furniture polishes can also be used.					
Additional information	<ul style="list-style-type: none"> Suitable for use on 240v circuits. This product can be plugged straight into a 240v outlet. 					