

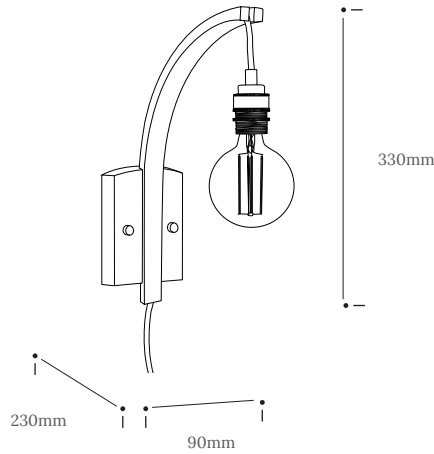
HANTER WALL LIGHT

Product Specification

Tom Raffield

Hanter Wall Light and LED Filament Bulb

Oak - £145







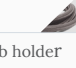
A taut arc of steam bent timber clings to a solitary filament bulb. Refreshing in its simplicity, surprising in its design, our Hanter Lighting Range turns heads.

Sustainably sourced oak arches into a solid timber base. Along its curve, an exposed flex traces into a brass fitting, bringing a modern accent to a timeless, natural form.

Radiating light in all directions, the Hanter blends an inviting ambience with a sharp design aesthetic.

Pair up. Create a feature. Make your mark.

The Hanter Lighting Range is also available as a table light.

Product Type : Wall Light	SKU	Wood types	Dimensions L x W x H (mm)		Weight (kg)	
			Unboxed	Boxed	Unboxed	Boxed
Hanter Wall Light : Hardwired	TR-HAN-WL-O	Oak	90 x 230 x 330	540 x 312 x 165	0.45	1.45
Hanter Wall Light : Plug and switch	TR-HAN-WL-O-PLG	Oak				
Materials	Oak 				Other materials	
Finish	Finished with a blend of natural wax oils to give a protective, hardwearing and beautiful finish.					
Wiring kit option : 1 Hardwired	Brass bulb holder with electrical connection block 	Wiring kit option 1 connection block included E27 (240v)	Flex Flex colour: grey fabric 	Reccomended light bulb Max 25W LED		
Wiring kit option : 2 Plug and switch	Brass bulb holder with black inline switch and plug 	Wiring kit option 2 Plastic inline switch E27 (240v)	Flex Flex colour: grey fabric  Cable length: 228cm from plug to bulb holder	Reccomended light bulb Max 25W LED		
Care information	Dusting your light regularly and with a light feather duster should keep your light looking clean, otherwise wipe with a damp cloth and remove any moisture with a dry cloth. Gentle furniture polishes can also be used.					
Additional information	<ul style="list-style-type: none"> Suitable for use on 240v circuits. Installation instructions and fixings included. This product can be plugged straight into a 240v outlet. If hardwiring into the main supply, this product must be installed by a qualified electrician. 					